

opticlean™ 2.0
by MICROTEC®

REFILL

MC-23 XXL

Conversion kit: filter element, metal-filter cup, clamping ring, o-ring

Art.-No.: 204123

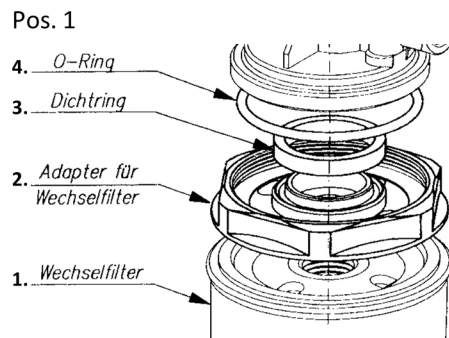
Filter element MC-23 XXL, 5-20 µm
filter surface: >2300 cm³

Art.-Nr.: 204023

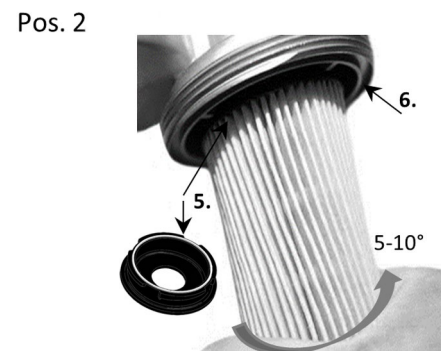
Removal and installation of the new filter:

Unscrew old filter cartridge **1)** and adapter **2)**.

Remove seal **3)** and o-ring **4)** and dispose of properly.



5) Slightly oil the white sealing ring on the bayonet of the filter element and screw it into the mount 5-10° past the stop. Our filter elements fit into every bayonet mount of available known (combi) fuel oil filters.



6) Also oil the new o-ring and insert it into the groove of the filter housing. Tighten firmly the metal filter cup **9)** with the usage of the clamping ring **7)**.

Attention: Please only use the supplied clamping ring 7) and take a look to the marking notch 8).



Due to sustainability and resource conservation we have redesigned our opticlean 2.0 MC-23 filter cartridge. Our new **opticlean 2.0 REFILL** filter comes along with many advantages. The filter cup only needs to be installed once and fulfills all special requirements for engine rooms. It contains an inexpensive refill filter element, which can be easily replaced after usage. The filter element is equipped with a sealing ring and guaranteed a safety and efficient usage. We have also improved the filter fineness and increased the surface of the filter element for a longer service life.