

User Manual B-serie ENG



**B-CH**



**B-Calorifier**



**B-COMBI**

## **Preface**

### **General Introduction.**

Congratulations with your purchase of this Kabola boiler. This user-manual covers the B-Series central heating boilers. The B-Series central heating boilers cover a wide range of boilers with a broad range of application. By purchasing this boiler you have acquired a product, which is of high quality through the application of the latest European standards and directives.

**Therefore, this manual must be kept with the boiler.**

In chapter 2, the safety instructions are detailed, which have to be complied with, when installing and using the boiler. In other chapters you will find safety instructions, that can be identified in the following way.

**Hint:** This gives the user suggestions and advises to facilitate the execution of certain tasks.

**Attention:** Additional information is supplied to the user, and possible problems are indicated.

**Warning:** Watch out for possible (life-threatening) injuries.

For any remarks, wishes or omissions you can contact Kabola Heating Systems. We also welcome any remarks to improve this manual. We wish you a lot of pleasure from your purchase.

Kabola Heating Systems  
Placotiweg 1E  
NL 4131 NL Vianen  
The Netherlands  
Phone +31 (0)347-320030  
Web: [www.kabola.nl](http://www.kabola.nl)  
E-mail [info@kabola.nl](mailto:info@kabola.nl)

© 2018 Kabola Heating Systems  
Copying of (parts of) this manual, is only allowed with written consent of Kabola Heating Systems.

## Contents

Preface	2
Contents	3
1. Introduction	4
1.1 General Introduction.	4
1.2 Range application	4
1.3 Product description	4
1.4 Technical specifications	4
2. Safety	5
2.1 General safety	5
2.2 Safety instructions	5
3. Transport and storage	6
3.1 Transport	6
3.2 Storage	6
4. Installing and preparing for first use	7
4.1 Installation	7
4.1.1 Fitting the boiler	7
4.1.2 Connection of the Central heating system	7
4.1.3 Flue gas outlet	9
4.1.4 Electrical installation	11
4.1.5 Filling the central heating system	13
4.1.6 Connecting the oil filter and oil burner	14
4.2 Starting your system	15
5. Operating the boiler	16
6. Cleaning and maintenance	19
7. End of life of the boiler	19
Appendix A Technical specifications	20
Appendix B Parts	21
Appendix C Electrical diagram	24
Appendix D Troubleshooting	26
Appendix E CE-declaration.	27
Appendix F CE-certification	28
Appendix G Warranty conditions	29

# **1. Introduction**

## **1.1 General introduction**

This user-manual is written to enable the safe operation of the B-Series central heating boilers. The user must read this manual before installation of the boiler and must follow the instructions within this manual.

## **1.2 Range application**

The B-Series boilers are designed to generate heat for the heating of water for a central heating system. The dimensions of the rooms to be heated, have to be taken into consideration.

These boilers are not designed for direct heating of the rooms in which they are installed.

## **1.3 Product description**

The B-Series boilers heat the central heating water by means of a pressure jet burner, which is installed on front of the boiler. The standard boilers operate from a 230 volt AC Supply. Boilers up to type B45 can also be supplied to operate on a 240 volt DC Supply. All B-Series boilers work in the same way, the only difference is the dimensions and the capacities of the boilers (see also the technical specifications in Appendix A).

As fuel, diesel oil or kerosene has to be used.

At special request there is also a model available which operates on petroleum.

## **1.4 Technical specifications**

The most important technical specifications are listed on the plate on the front of the boiler. More technical details are listed in Appendix A.

## 2. Safety

In this chapter we emphasise the safety-related points for operating the boiler.

### 2.1 General safety

**Warning:** Although Kabola Heating Systems designs and produces its products according to the current safety standards, it is possible that dangers may occur, which could lead to injuries or damage to the boiler, if the safety instructions in this manual are not complied with.

The user must:

- Have read and understood the chapter “safety”
- Avoid any actions which may lead to hazards to his health or others
- Avoid any actions which may lead to damage to the boiler.
- Ensure that the boiler is only used when the boiler is in sound technical condition.
- Ensure that the safety regulations are observed whilst operating the boiler.

**Attention:** No alterations to the boilers may be done without the explicit written consent of Kabola Heating Systems!

### 2.2 Safety instructions

The safety instructions listed below must be complied with when operating the B-Series boilers.

#### Measures for a safe installation

- Don't store any flammable and/or gaseous products in the room where the boiler is installed to avoid explosions and fires.
- Install the boiler in a non-humid environment on a firm horizontal base.
- Ensure that there is sufficient ventilation in the room where the boiler is installed (See also 4.1.1)
- Make sure, before you start connecting the boiler, that the system is disconnected from the power supply.
- Only use multiple-stranded wire for electrical connections.
- Don't change the + pole with the – pole of the battery (for the 24 Volt DC version)

#### Measures for a safe operation

- Never change the settings of the burner.
- Don't use any aggressive solvents which may affect the boiler (like gas or turpentine)
- Don't damage the fire bricks.
- Make sure that the boiler and burner are checked annually by a skilled expert.
- Make sure that before you start any work on the boiler that the system is disconnected from the power supply.
- Make sure that any surplus oil is collected in case of oil spillage.
- We advise you to have any maintenance or repairs carried out by skilled experts.

## **3. Transport and storage**

### **3.1 Transport**

Take following precautions before transporting the boiler:

- Drain the water from the boiler
- Uncouple the fuel system
- Remove the burner (see 4.1.5, replacing the burner)

While transporting the boiler, take following precautions:

- Don't damage the boiler, use a blanket to cover the boiler.
- Transport the boiler lying down on its back
- For the boiler models B-25 onwards use the hoisting eye to move the boiler. This hoisting eye is located below the top of the boiler cover.

### **3.2 Storage**

Take the following precautions when the boiler is stored for a longer period of time:

- Store the boiler and accompanying parts in a dry place.
- Dismount the burner
- Store the boiler standing up.
- Store the boiler on a firm horizontal base.

## 4 Installing and preparing for first use

In this chapter you will find directions and hints for a correct placement and fitting of the boiler and accompanying parts.

**Warning:** Don't store any flammable and gaseous substances in the room where the boiler is installed. This is to ensure that no explosions or fires can occur.

### 4.1 Installation

#### 4.1.1 Fitting the boiler

- Install the boiler in a dry place.
- Install the boiler on a firm horizontal base.
- Make sure there is sufficient supply of fresh air in the room where the boiler is installed (see hint below)

**Hint:** As a rule of thumb for the ventilation openings, take 2,5 times the diameter of the flue gas outlet.

- To avoid movement secure the base of the boiler by means of spotwelds or with nuts and bolts.
- Keep a minimum distance of 250mm behind the boiler for the flue-gas outlet (see figure 1)
- Use a earthed plug socket for connecting the 230 V AC versions to the power supply.

#### 4.1.2 Connection of the Central heating system

##### Piping

Take note of the following points, when installing the piping:

- Install the piping in such a way, that the boiler (cover and dashboard) remains accessible.
- Provide enough bleeding points in places where air might collect.

**Attention:** Install a automated or normal bleeding valve near the boiler

##### EXPANSION TANK

An expansion tank must always be assembled with a closed central heating system (pressure system).

- Always assemble the expansion tank in the return pipe (see fig 2) as near as possible to the boiler.
- The size of the expansion tank is approximately 10% of the total water capacity of the whole system. For example; with a volume of 120 liters, assemble a 12-litre expansion **tank**.

### B-serie CH (figure 1)

Connection of piping for the B-serie CH takes place as follows:

1. Assemble the central heating supply pipe at point 1;
2. Assemble the central heating return pipe at point 2;
3. Assemble the separately supplied filler tap and drain combination.

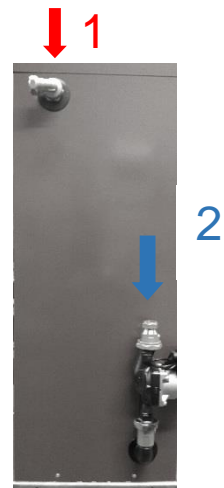


Figure 1

### B-serie Calorifier (figure 2)

Connection of piping for the B-serie Calorifier takes place as follows

1. Assemble the central heating supply pipe at point 1
2. Assemble the central heating return and Calorifier vessel return at point 2;
3. Assemble the Calorifier vessel supply at point 3;
4. Assemble the separately supplied filler tap and drain combination.
5. The letters B and A are marked on the 3 way valve.

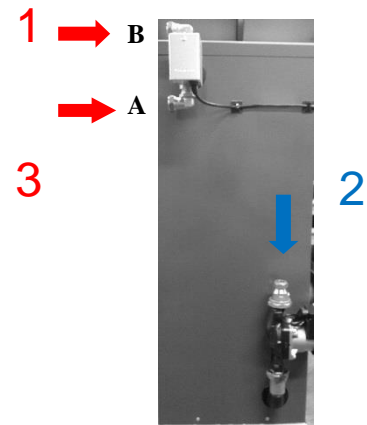


Figure 2

### Note:

**A boiler vessel thermostat must always be fitted (available from Kabola Heating Systems)**

### B-serie combi ketel (figure 3)

The connection of piping to the B-serie Combi takes place as follows:

1. Assemble the central heating supply pipe at point 1
2. Assemble the central heating return pipe at point 2
3. Assemble the separately supplied filler tap and drain combination.
4. Assemble the hot sanitary water pipe at point 5 (output);
5. Assemble the cold sanitary water pipe at point 6 (input)

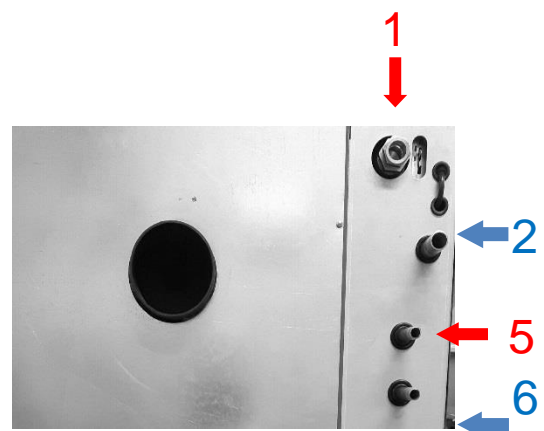


Figure 3



### 4.1.3 Flue gas outlet

#### GENERAL

Flue gas extraction is an essential part of your heating installation. Well-assembled flue gas extraction considerably extends the working life of your heating boiler and has a positive effect on heating efficiency.

**Warning:** Because in most cases the flue gas temperature is higher than 180 °C, it is desirable to insulate the outlet with heat-resistant material in places where contact with body parts is possible. These are available from Kabola Heating Systems B.V.

- Ensure the correct length/diameter proportions. We advise assembling a flue gas outlet with a diameter of 60 mm with a maximum length of 5 meters.
- On sailing and seagoing vessels we advise using a vertical flue gas discharge system (see fig 5).

#### AUTOMOTIVE APPLICATION

With the installation of the heating system for an application not for use on water, one can decide to keep the flue gas outlet as short as possible.

#### HORIZONTAL OUTLET WITH SKIN FITTING

It is possible to bring the flue gas outlet horizontally from the boiler through the wall. The following points must then be respected:

- The maximum permitted length without bends is 3 meters.
- Make sure that the outlet is amply above the water level. If this is not possible use a curved construction (a swan neck as pictured on the right in figure 4).
- Use a skin fitting (single- or double-walled) to bring the flue gas outlet through the wall.
- Use as few as possible bends, no more than 3 bends of 90 °.

**Tip:** If with the existing assembled flue gas outlet you have a larger diameter than the diameter of the flue gas outlet from the boiler, we recommend assembling a flexible flue gas outlet (50 mm diameter) in the existing flue gas outlet. The necessary adaptors and auxiliary parts are available from Kabola Heating Systems B.V.

**Warning:** When using a flue gas outlet longer than prescribed it is possible that condensation water may originate in the outlet. It is very important that the condensation water does not form a water trap with the flue duct becoming blocked (as pictured on the left in figure 4).

Using a swan neck (as pictured right in figure 4) prevents water from entering the flue duct from outside.

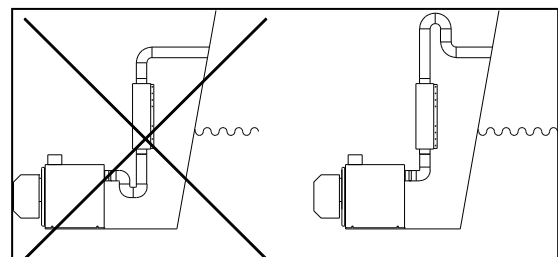


Fig. 4

## VERTICAL FLUE GAS OUTLET

This way of installation is preferable for seagoing boats and sailing boats, because these boats encounter large angles of heel through waves and under sail. For this kind of flue gas outlet, the following points are important:

- Install a proper storm cowl on top of the chimney (this must stop rain from entering) (figure 4).
- Install deck fittings for installing the flue through a deck.
- Install a water trap, to drain possible water caused by condensation
- Keep the chimney as vertical as possible.
- Don't use more than 4 elbows 90°.
- The maximum allowed length is 10 meters. At more than 10 meters in length, always contact Kabola for advice.
- Every elbow of 90° is equivalent to 1 meter straight pipe.
- Use outside double walled chimney pipe
- **With a vertical outlet always use a drain!**

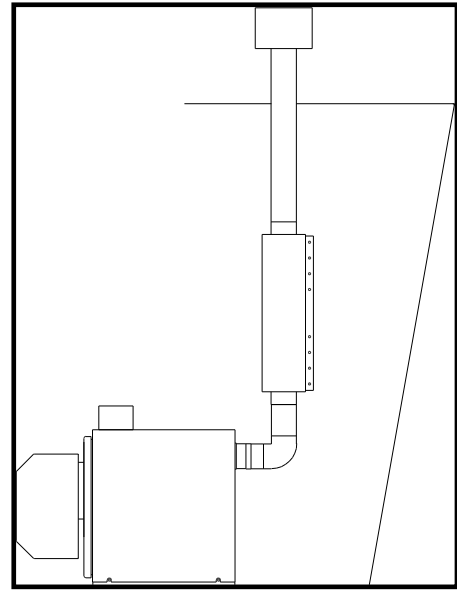


Fig. 5

Always install a drain with tap directly on the boiler  
(See Figure 5.a)

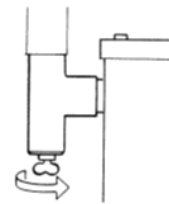


Fig. 5.a

**Hint:** To reduce the noise from flames, it is wise to install a silencer in the exhaust.

**Tip:** Als maatwerk kan Kabola een dekdoorvoer onder een hoek produceren zodat de schoorsteen recht staat.

Your Kabola supplier can provide you with all components which may be required for installation such as:

- Cowls;
- Flexible piping;
- Single and double walled chimney pipes;
- Hull and deck fittings;
- Silencers;
- Water traps;
- Insulation.

#### 4.1.4 Electrical connection

##### Warning:

Disconnect the power supply from the boiler before you start the installation. **The quality of 230 VAC power supply to the boiler should be as good as the power supply from a land line.**

##### TIP:

If you are using an inverter, we recommend a 900W sine wave inverter.

**Do not place the room thermostat near a heat source!**

Fig. 6



#### B-serie - CH

##### To connect the room thermostat (Figure 6)

For connecting the room thermostat use a 2-core insulate wire 0,75 mm<sup>2</sup>. The room thermostat you must connect as follows:

- Remove the cover of the thermostat
- Connect the two thermostat wires to point Lx and L1 (Fig. 7)

Lx L1  
↓ ↓

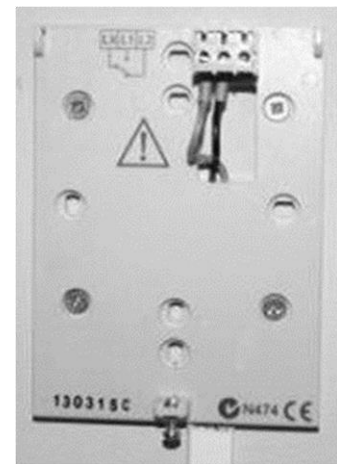


Fig. 7

#### B-serie - CH

##### To connect the thermostat wires on the B-serie Boiler

Remove the 7-pin connector at the rear left side of the front panel (see Figure 8).  
Remove the lid from the 7-pin connector  
Remove the 'bridge' of T1 and T2, connect here the thermostat wires (see sticker)



Fig. 8

## B serie – CH , Calorifier and Combi

### Connection of the room thermostat and the function warm water on / off

For connecting the room thermostat (with the function of hot water on / off) using a 4-wire 0.75 mm<sup>2</sup> insulated cable. The room thermostat must be connected as follows:

#### HR Boiler, Calorifier and combi:

- Remove the right plug is located behind the dashboard (see Figure 12);
- Remove the lid from the connector
- Connect the wires of the room thermostat to T1 and T2 as indicated on the sticker in the plug (see Figure 11);

#### HR Calorifier and combi:

- Connect the wires of the hot water on / off function on the points S3 and B4 as indicated on the sticker in the plug (frost guard) (see Figure 11);
- Only at the B-CH with calorifier are the two wires to be mounted from the boiler thermostat to the points L1 and N. (see Figure 11);
- Please remove the front of the room thermostat;
- Connect the wires to the thermostat on Q14 and Q11 (see Figure 10); → Please remove the front of the room temperature controller;
- Connect the hot water on / off function on at the points Q21 and Q22 in the thermostat (see Figure 10);
- If the tap is visible in the display, hot water is turned on. If not, it is disabled.

Fig. 9



Fig. 10

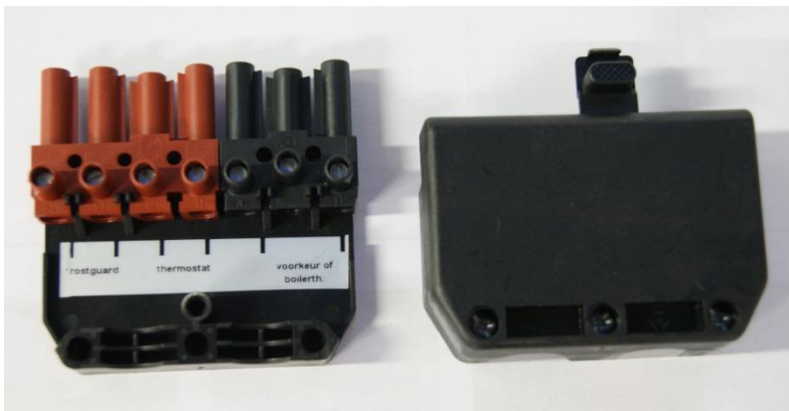


Fig.11



Fig. 12

Right plug

#### 4.1.5 Filling the central heating system for the B-serie

The loose fill and drain combination is mounted at point 4 (see figure 2, page 8). Connect your hose on to open the fill and drain combination black button. Open tap the left and put the kettle on 2 bar pressure (see pressure gauge). Vent the entire heating system and put the heating system is between 1.5 and 2 bar pressure.

Add 230 volt voltage to the system by inserting the plug into the earthed electrical socket.

#### Bleeding the circulation pump

- Adjust the temperature of the room thermostat higher than the ambient temperature (for example, 5 degrees higher);
- Set the on / off switch (button lights);
- Put the heating pump in automatic venting position. Control knob to 12 hours (see Figure 9);
- Turn a quarter of a turn the red button after about 5 minutes, to position 3 (see Figure 10);
- Check the entire system for air and check the pressure (fill if necessary).

#### Tip:

If you do not live permanently on board we recommend to fill the heating system with coolant. The cooling liquid must be suitable for heating systems (pH value 8.5). For more information please contact your dealer or Kabola, Netherlands

- See manual from the circulation pump.

**Attention:** When locking pump couplings are supplied with the boiler, the adjusting grooves must point towards the pump.

Venting mode: Turn switch on 12 o'clock (light flashes)



Figure 9

Operating mode: Turn switch at +/-position 3 (the light will burn continuous)



Figure 10

#### 4.1.6 Connecting of the filter at the oil burner (oil pump)

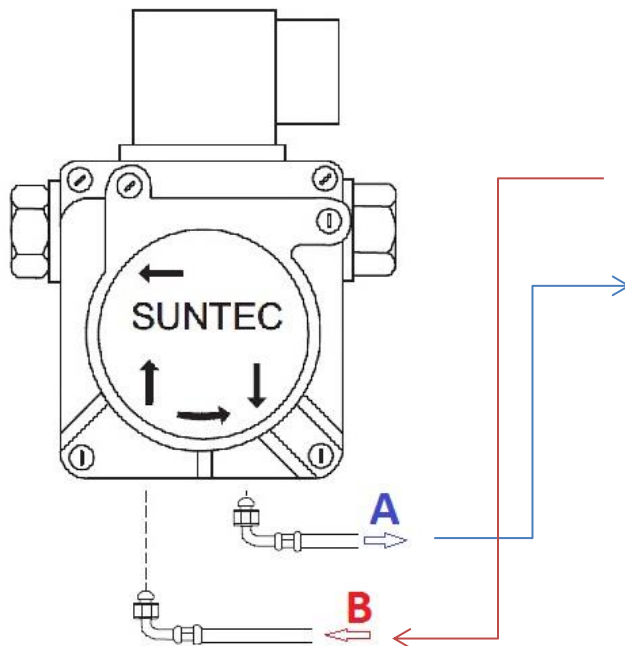


Figure 14

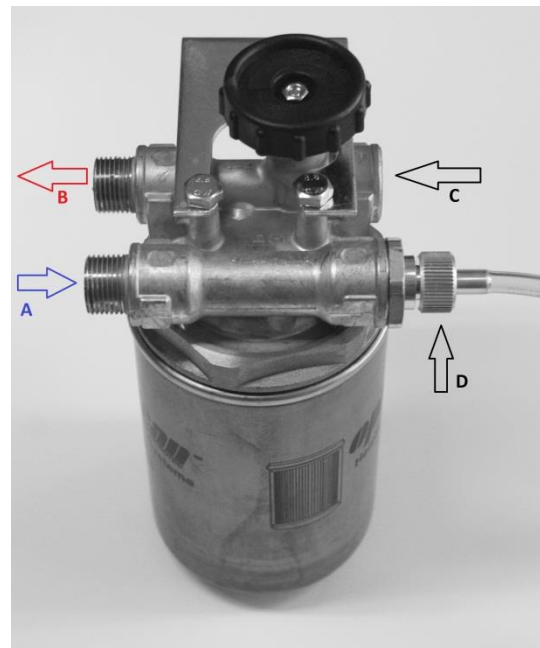


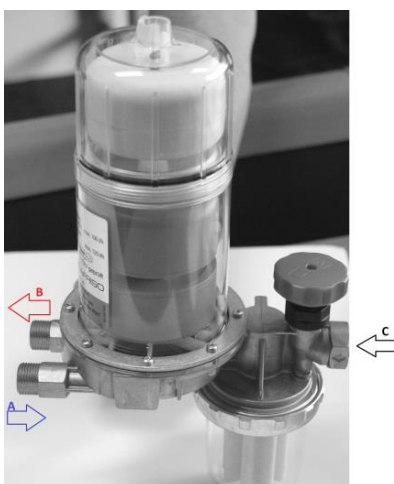
Figure 15

For the connection of the oilfilter the following operations have to be carried out (see figures above ).

- Connect the two oil hoses from the burner to the oilfilter  
Please note that the arrow markings, ensure that the arrow directions of the oil pump and the oil filter match, the flow and return (see figure 14 and 15);
- Connect the oil line directly from the fuel tank, to the filter (no branch from other users oil (see Figure 15, connector C);
- Venting of the oil filter to pass through swivel rotating D counter-clockwise (see Figure 15). It should clear oil out without foam.

**Warning:** By the following automatic air vent filters never change flow and return (A and B, see figure 14 and 15), this can damage the filter!

- Install the oil filter higher than the oil pump (only in automatic air vent filters);



57-001 Oilfilter Flocotop  
optional



4-D133 Oilfilter TOC-80  
Optional

## 4.2 Starting your system

**After the room thermostat is connected, the following steps:**

- Insert the plug into the grounded socket for 230 volt version.
- Switch the boiler on, at the on / off switch on the control panel. The lamp in the switch indicate that the system is on.
- Put the boiler temperature between 75°and 80°C with the boiler thermostat.
- Set the room thermostat in demand by putting the temperature (for example) 5 degrees higher than the ambient temperature (see also the instructions of the room thermostat);
- Open the valve on the fuel tank;
- Turn the valve on the oil filter through the red knob counterclockwise completely open;
- Open airscrew D by turning left (see Figure 15). Keep repeating this until there are clear oil comes out of the hose:
- If the red (fault) light of the oil burner lit, reset it by pushing it;
- If oil is present the burner will start. If no oil is present the oil burner will give a malfunction. Reset the oil burner by pressing the red light. (Repeat up to 5 times);
- Check all oil connections for leaks when the burner is working;
- Bleed the entire heating system again;
- Check if the boiler turns off when the boiler has reached the set temperature;

If you have **automatic vent filters** (flocotop and toc80), follow the same steps as above

- Check for oil will enter the upper glass bowl;
  - the oil has to have a light color
  - No foaming may occur

Check the steps of section 4.1.7 if no oil will be placed in the glass bowl.



## 5. Operating the boiler

When the boiler has been started and adjusted according to 4.2, operation for the boiler is very simple.

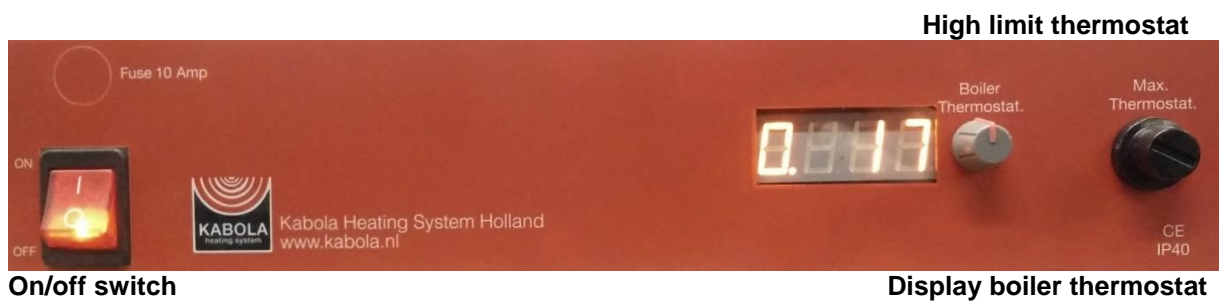
The required temperature is set with the room thermostat, which controls the boiler. The operation of the room thermostat is explained in the manual of the room thermostat.

If problems arise with the operation of the boiler, you will find a list of possible problems and solutions in Appendix C.

### Operating the room thermostat

Please refer to the manual thermostat

Figure 17 Operating panel B-CH



On/off switch

Display boiler thermostat

### Explanation of the operating panel

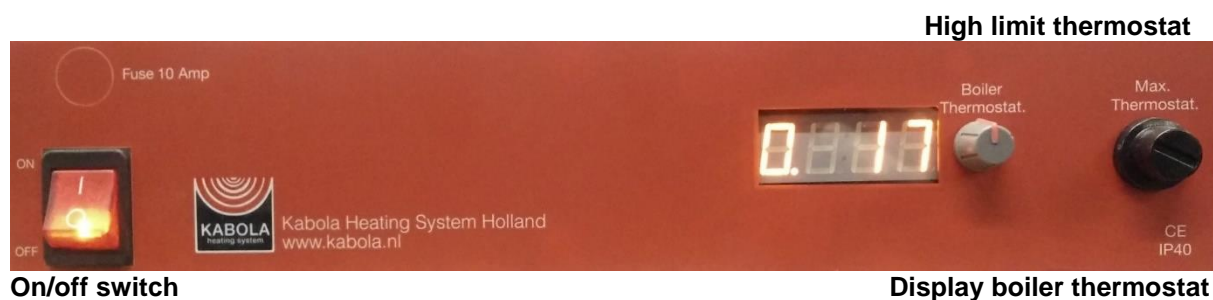
**Set the boiler temperature to 80 degrees Celsius (press boiler thermostat button in and turn).**

Numbers	Explanation	Photo
0	Rest position (boiler is on stand-by) Circulation pump stopped	
1	Room thermostat demands heat. Circulation pump operating	
3	Circulation pump further running time. Circulation pump operates for ± 3 minutes	
	The figure (19) on the right of the display shows the current boiler water temperature	



## Operating panel B-Calorifier (front)

Figure 18



On/off switch

Display boiler thermostat

Explanation of the operating panel

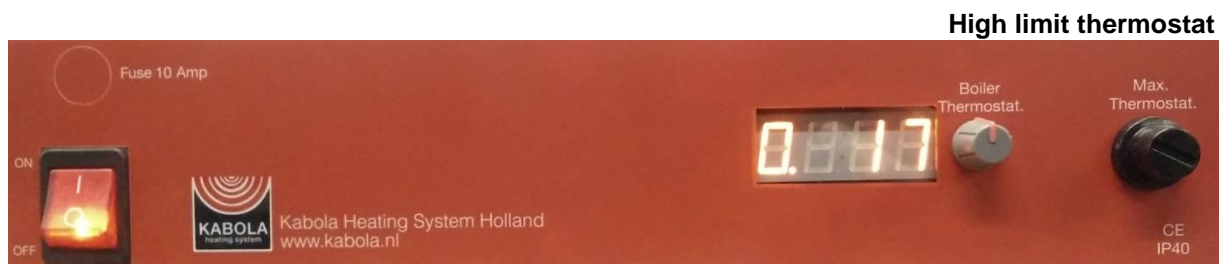
Set the boiler temperature to 80 degrees Celsius (press boiler thermostat button in and turn).

### Key to the boiler display

Numbers	Explanation	Photo
0	Rest position (boiler is on stand-by) Circulation pump stopped	
1	Room thermostat demands heat. Circulation pump operating	
2	Hot water demand from the boiler (boiler thermostat) Circulation pump operating	
3	Circulation pump further running time 0 seconds	
•	Flashing point = hot water off	
•	Point lit up = hot water stand-by	
	The figure (19) on the right of the display shows the current boiler water temperature	

## Operating panel B-serie Combi boiler (front)

Figure 19



### On/off switch

Explanation of the operating panel

Set the boiler temperature to 80 degrees Celsius (press boiler thermostat button in and turn).

Numbers	Explanation	Photo
0	Rest position (boiler is on stand-by) Circulation pump stopped	
1	Room thermostat demands heat. Circulation pump operating	
2	Hot water is drawn off. Circulation pump operating	
3	Circulation pump further running time. Circulation pump operates for ± 3 minutes	
4	Tap comfort position Boiler kept at temperature	
•	Flashing point = hot water off	
•	Point lit up = hot water stand-by	
	The figure (19) on the right of the display shows the current boiler water temperature	

## 6. Cleaning and maintenance

### a. Points for attention

Replacement parts must be ordered from Kabola Heating Systems. Only original replacement parts may be used for the guarantee to be applicable. Mention the type and serial number when ordering. Kabola Heating Systems can then supply the correct parts. Annex E includes a summary of the parts.

### b. Cleaning and maintenance

**Warning:** Carry out maintenance and repair activities when the boiler is switched off because the boiler could unexpectedly start up. Remove the plug from the wall socket.

**Warning:** Maintenance and repair activities must be carried out by an accredited installer or a service technician from Kabola Heating Systems.

#### Annually

1. Clean the boiler;
  - 1.1. Remove the oil burner;
  - 1.2. Remove the boiler door;
  - 1.3. Remove the boiler gasket.
  - 1.4. Clean the inside of the boiler using a pipe cleaner;

**Note:** Do not use any aggressive cleaning products when cleaning.

- 1.5. Suck the heating boiler empty with a vacuum cleaner;
  - 1.6. Replace the boiler gasket;
  - 1.7. Replace the boiler door;
2. Clean the flue if necessary.
3. Replace the oil filter cartridge;
4. Clean the burner (see burner manual).
5. Replace the nozzle;
6. Replace the electrode block if required;
7. Replace the photocell if older than 5 years;

**Note:** The old oil filter cartridge must be processed as chemical waste.

It is advised to have the burner settings inspected and adjusted each year by a service technician certified by Kabola Heating Systems.

## 7. Disposal

When disposing of the boiler the following points are important for reasons of safety:

- Dispose of the oil filter and the oil hoses as chemical waste;
- Separate the metal parts and plastic parts and dispose of them separately;
- Dispose of any oil in an environmentally friendly way;
- Transport the discarded boiler according to the instructions in section 3;
- Dispose of this manual with waste paper.

# Appendix A Technical specifications



**B SERIES**

Kabola B series  
**CH**

The Kabola B series consists of oil-fired heating boilers supplying 20 to 116 kW. The B series can be supplied as central heating or combi – upon request – as sub-base. Actually, the B series can also be combined in a central heating system, hot air conditioning and floor heating.



Kabola B series  
**combi**

To be used on commercial sites as well as industrial applications



Kabola B series  
**calorifier**

**KABOLA B SERIES: STRONG, DURABLE AND SUITABLE FOR DEMANDING WORK**



Kabola B series  
**calorifier**

For more information:  
Tel. +376 0387 326 000  
info@kabola.eu  
www.kabola.eu

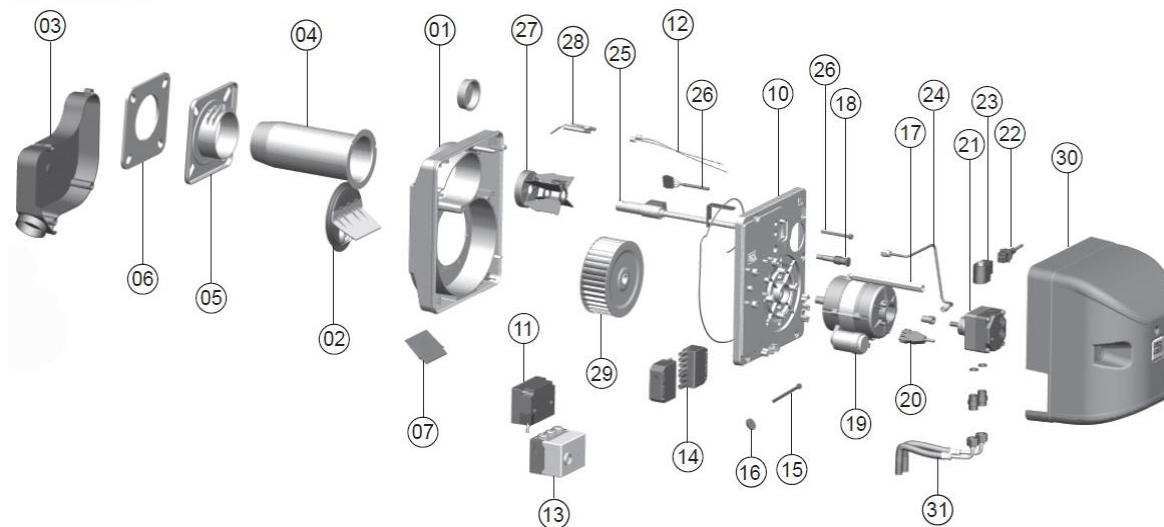


Kabola B series  
**calorifier**

SPECIFICATIONS	B25	B25 combi	B35	B35 calorifier	B45	B45 combi	B55	B55 calorifier	B65	B65 combi	B70	B70 calorifier	B80	B80 combi	B85	B85 calorifier	B100	B100 combi	B110	B110 calorifier	B130	B130 calorifier
Power (kW)	25	25	35	41	48	53	58	66	78	88	95	105	116	128	140	155	168	185	200	220	250	280
Water circulation rate (l/min)	460	460	460	460	460	460	460	460	460	460	460	460	460	460	460	460	460	460	460	460	460	460
Depth installation (mm)	326	326	326	326	326	326	326	326	326	326	326	326	326	326	326	326	326	326	326	326	326	326
Height installation (mm)	950	950	950	950	950	950	950	950	950	950	950	950	950	950	950	950	950	950	950	950	950	950
Depth installation (mm) burner zone	330	330	330	330	330	330	330	330	330	330	330	330	330	330	330	330	330	330	330	330	330	330
CH connection (mm)	1"	1"	1"	1"	1"	1"	1"	1"	1"	1"	1"	1"	1"	1"	1"	1"	1"	1"	1"	1"	1"	1"
Stacking and/or connection vent	-	-	-	-	-	-	-	-	-	-	-	-	-	-	-	-	-	-	-	-	-	-
Flow gas (l/min) at 100°C	310	310	310	310	310	310	310	310	310	310	310	310	310	310	310	310	310	310	310	310	310	310
Flow gas (l/min) at 100°C	320	320	320	320	320	320	320	320	320	320	320	320	320	320	320	320	320	320	320	320	320	320
Electrical	digital	digital	analog	analog	analog	digital	digital	digital	analog	analog	analog	analog	analog	analog	digital	digital	analog	analog	analog	analog	digital	digital
Energy output (kW) at 100°C	-	-	-	-	-	-	-	-	-	-	-	-	-	-	-	-	-	-	-	-	-	-
Pump limit	-	-	-	-	-	-	-	-	-	-	-	-	-	-	-	-	-	-	-	-	-	-
Reverse flow thermostat	-	-	-	-	-	-	-	-	-	-	-	-	-	-	-	-	-	-	-	-	-	-
Hot water output	-	-	-	-	-	-	-	-	-	-	-	-	-	-	-	-	-	-	-	-	-	-
20 other functions	optional	optional	optional	optional	optional	optional	optional	optional	optional	optional	optional	optional	optional	optional	optional	optional	optional	optional	optional	optional	optional	optional
20 other functions	optional	optional	optional	optional	optional	optional	optional	optional	optional	optional	optional	optional	optional	optional	optional	optional	optional	optional	optional	optional	optional	optional
20 other functions	optional	optional	optional	optional	optional	optional	optional	optional	optional	optional	optional	optional	optional	optional	optional	optional	optional	optional	optional	optional	optional	optional
20 other functions	optional	optional	optional	optional	optional	optional	optional	optional	optional	optional	optional	optional	optional	optional	optional	optional	optional	optional	optional	optional	optional	optional
External air intake	optional	optional	optional	optional	optional	optional	optional	optional	optional	optional	optional	optional	optional	optional	optional	optional	optional	optional	optional	optional	optional	optional
FM and other standards	optional	optional	optional	optional	optional	optional	optional	optional	optional	optional	optional	optional	optional	optional	optional	optional	optional	optional	optional	optional	optional	optional
Intake (L/s)	350	350	350	350	350	350	350	350	350	350	350	350	350	350	350	350	350	350	350	350	350	
Top water 60°C in 100	8	8	8	8	8	8	8	8	8	8	8	8	8	8	8	8	8	8	8	8	8	
Height (kg)	185	185	185	185	185	185	185	185	185	185	185	185	185	185	185	185	185	185	185	185	185	
Efficiency %	92	92	92	92	92	92	92	92	92	92	92	92	92	92	92	92	92	92	92	92	92	
Water content (kg) (l/min)	91	91	91	91	91	91	91	91	91	91	91	91	91	91	91	91	91	91	91	91	91	
Fuel consumption	5.5	5.5	5.5	5.5	5.5	5.5	5.5	5.5	5.5	5.5	5.5	5.5	5.5	5.5	5.5	5.5	5.5	5.5	5.5	5.5	5.5	
Flow gas temperature	200/200	200/200	200/200	200/200	200/200	200/200	200/200	200/200	200/200	200/200	200/200	200/200	200/200	200/200	200/200	200/200	200/200	200/200	200/200	200/200	200/200	200/200
Boiler capacity	0.75/0.8	0.75/0.8	0.75/0.8	0.75/0.8	0.75/0.8	0.75/0.8	0.75/0.8	0.75/0.8	0.75/0.8	0.75/0.8	0.75/0.8	0.75/0.8	0.75/0.8	0.75/0.8	0.75/0.8	0.75/0.8	0.75/0.8	0.75/0.8	0.75/0.8	0.75/0.8	0.75/0.8	
Start capacity (l/min)	740	740	740	740	740	740	740	740	740	740	740	740	740	740	740	740	740	740	740	740	740	
Operational capacity (l/min)	350	350	350	350	350	350	350	350	350	350	350	350	350	350	350	350	350	350	350	350	350	

## Appendix B burnerparts

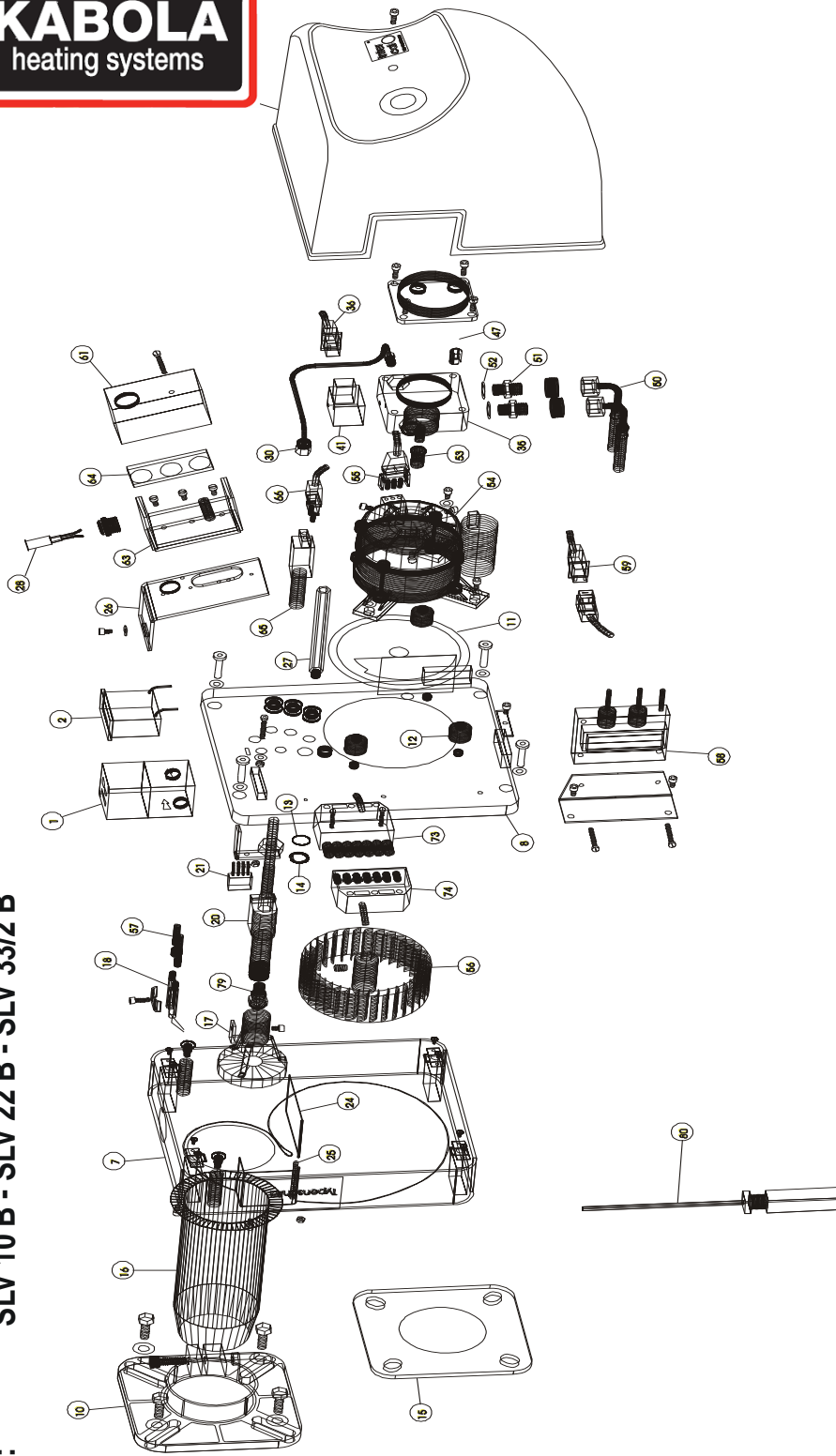
### Onderdelen





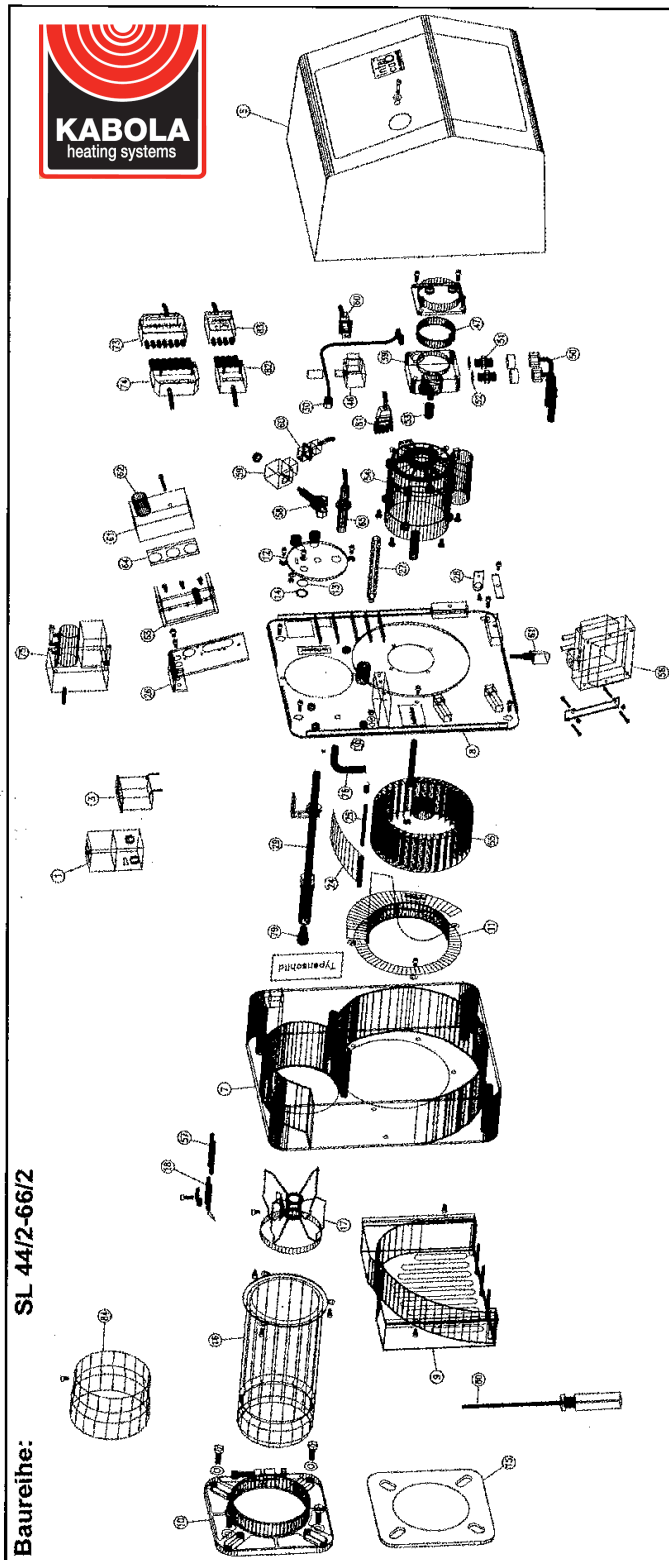
# Appendix burnerparts B-45,B-55 and B-70

: : SLV 10 B - SLV 22 B - SLV 33/2 B



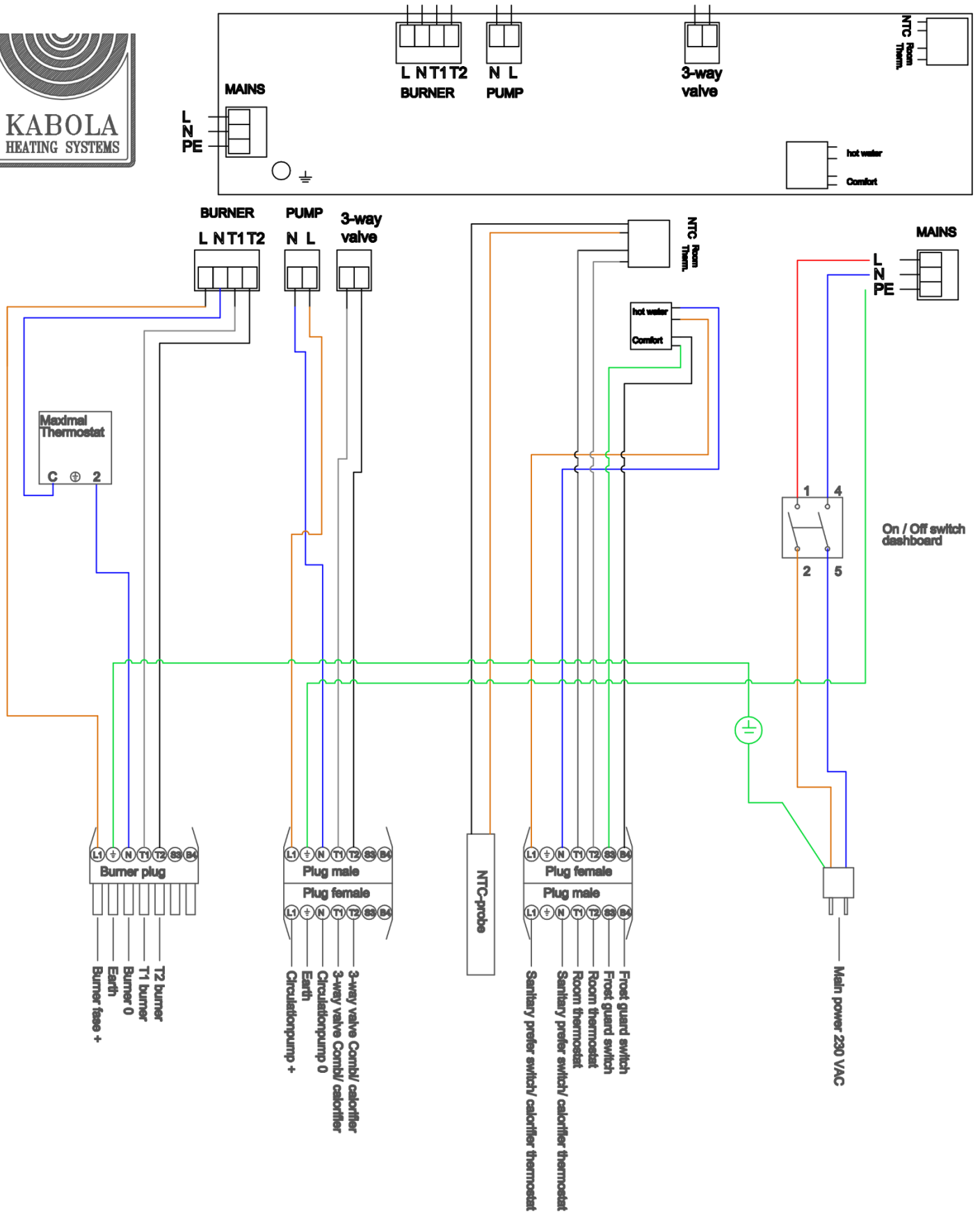
# Appendix burnerparts B-80 / B-100

SL 44 (1/2); SL 55(1/2), SL 66 (1/2)





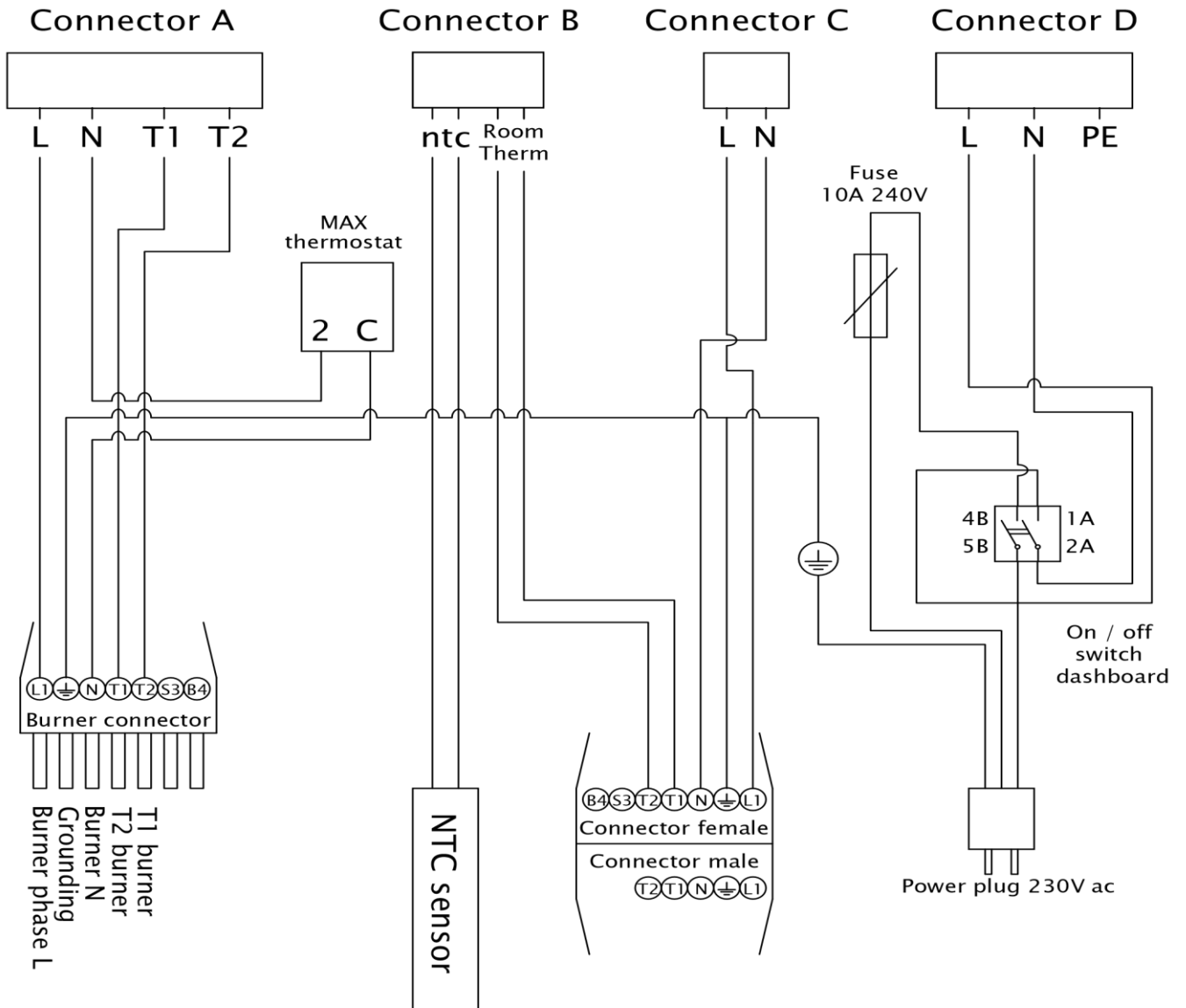
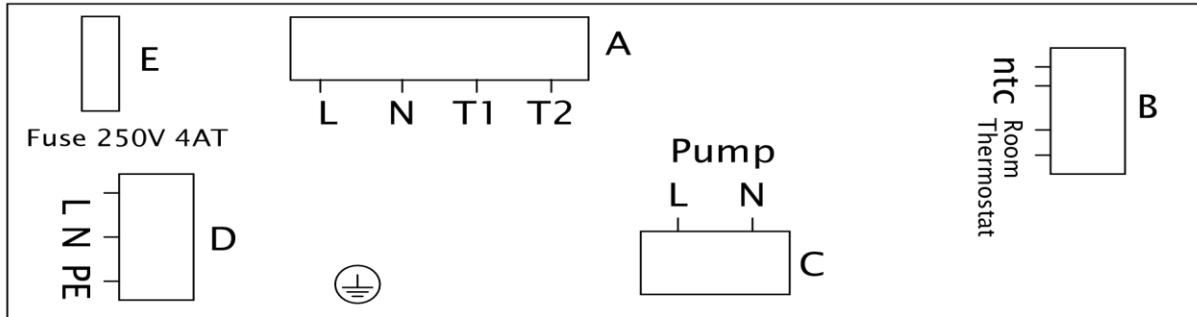
# Appendix C Electrical diagram B Calorifier and Combi 230V





Appendix C Electrical diagram B – CH 230V

Electrical diagram 230V KB/HR/Compact-7 series



## Appendix D Troubleshooting

Listed below you will find a list with possible problems, their reasons and solutions. When you encounter problems not listed, you should contact your dealer. **Never try solve problems on your own.**

Problem	Possible reason	Possible solution
Burner won't start	Oil supply interrupted	Bleed the oil filter Change contaminated filter element Fill the oil tank
	Power supply interrupted	Check the fuses on the circuit board (4-8A) Check the power supply Check the max. thermostat at dashboard
Burner stops		Reset burner (once)
	Flame protection dirty (photo cell)	Clean glass of flame protection
	Flame protection defect (photo cell)	Replace flame protection
Burner starts pulsing	Flue glass flow interrupted	Clear chimney opening
	Boiler dirty	Clean boiler
	Oil supply interrupted	See above
	Nozzle defect	Replace nozzle
Burner shows error		Reset burner
	Low voltage	Check voltage level
	Oil supply interrupted	See above
Boiler does not react to thermostat	Wire in main connector has not been removed (room thermostat)	Remove wire from main connector
	Boiler thermostat incorrect adjusted	Adjust boiler thermostat
	Battery of room thermostat empty	Replace battery
Water is not pumped	Pump couplings are closed	Open pump couplings
	Pump not connected to power supply	Connect pump
	Rotor of pump is stuck	Turn pump with your hand (see manual pump)

## Appendix E CE-declaration.

### EC declaration of conformity

We,

Kabola Heating Systems BV  
Placotiweg 1 ɛ  
4131 **NL** Vianen (Utr.)  
The Netherlands

declare entirely under our own responsibility that the product:

**Boiler burner Kabola B-serie 25/35/45/55/70/80/100 - 230V**

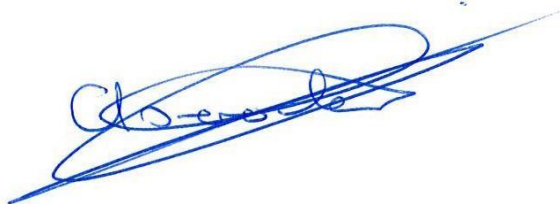
to which this declaration relates, conforms with the following standards:

**EN 303-1, EN 303-2, EN 304, EN 50081-1, EN 50082-1. EN 61010**

according to the provisions of directives

73/23/EEC,  
89/336/EEC,  
92/42/EEC,  
amended by 93/68/EEC.

Vianen, 2017



A.A. van Soolingen,  
Managing Director  
Kabola Heating Systems BV

## Appendix F CE- Certificate

Nummer **E 4008**



GASTEC NV verklaart hierbij, dat de  
**Ketellichamen,**

**KABOLA B 8/12/17/25/35/45/55/70/80/100**

van **Machinefabriek Gebr. Post B.V.,**  
te **Oudewater, Nederland,**

voldoen aan de essentiële eisen gesteld in de  
**Richtlijn betreffende de rendementseisen**  
**(92/42/EEG).**

PIN : 0063AS3178  
Verslagnummer : 171178

Apeldoorn, **15 april 1998**

dr. ir. L. Noordzij,  
directeur.

Centrum voor Gastechnologie



GASTEC NV  
Postbus 137  
7300 AC Apeldoorn  
Nederland  
Wilmersdorf 50  
7327 AC Apeldoorn

CERTIFICAAT



## Appendix G Warranty conditions

Certificate of Guarantee

### Guarantee conditions:

1. The scope of this guarantee is restricted to the obligations of Kabola Heating Systems B.V. described on the front page of this document. Secondary damages are specifically excluded.
2. The guarantee period for materials and/or construction defects in the construction of the boiler body is five years. For materials and/or other goods supplied by Kabola Heating Systems B.V., a guarantee period of one year applies.
3. If, during the guarantee period it appears that a material or construction defect in a part cannot be repaired, then the relevant part will be replaced free of charge, and if after replacement, it appears that operation can no longer be guaranteed the entire appliance will be replaced. The above is exclusively at the discretion of Kabola Heating Systems B.V.
4. In the event of the repair of defective parts within the guarantee period, a new guarantee period of 1 year applies.
5. Investigation and repair work will usually be carried out by Kabola Heating Systems B.V. at the location stated by the purchaser.

**Travel and accommodation costs are charged at all times, labour costs are to be borne by Kabola Heating Systems B.V.**

If the boiler must be returned to the factory the transport costs are to be borne by the purchaser. Repaired boilers are delivered on an ex-factory basis. The costs of removing the boiler from the heating system and the installation of the boiler are to be borne by the purchaser

6. A claim against the guarantee will not succeed in the event that:
  - the guarantee certificate has been incorrectly or insufficiently completed, or has been altered
  - No purchase receipt showing the date of purchase can be provided for this guarantee certificate;
  - The appliance has been inexpertly repaired, modified or installed;
  - The appliance has not been installed by a Kabola Heating Systems B.V. dealer or by a Kabola Heating Systems B.V. approved installation contractor,
7. In the event of faults please contact the supplier of your Kabola heating appliance. When doing so, please give your name, address, telephone number, type and serial number of your heating appliance.



## Kabola Heating Systems B.V.

Placotweg 1<sup>E</sup>

4131 NL • Vianen (Utr.) • Holland

T +31 (0)347 - 320 030

F +31 (0)347 - 355 688

Info@kabola.nl

www.kabola.nl