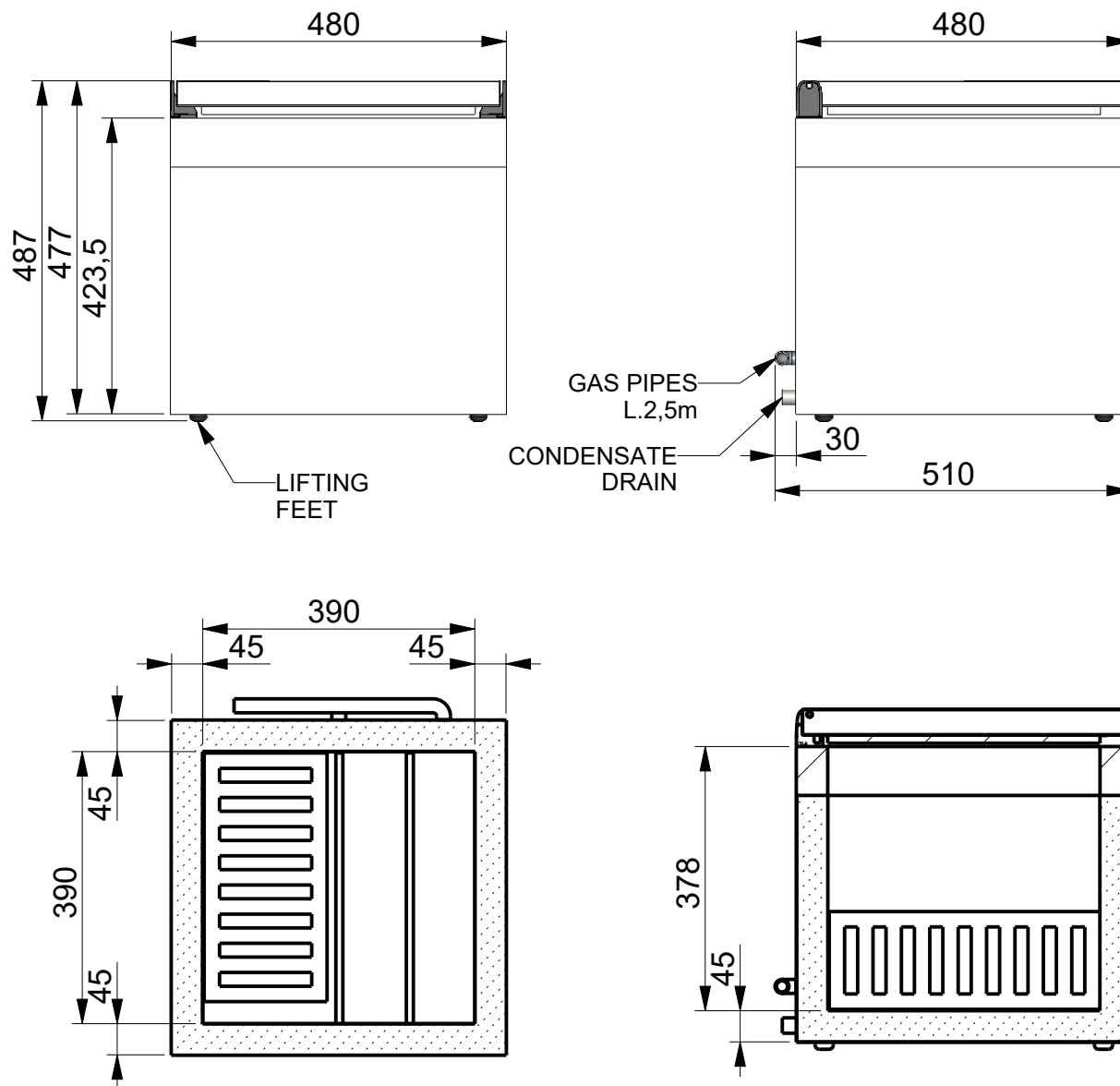




MODEL FRO60C - Fridge capacity 60Lt
 Fridge (0° C +15° C) with remote compressor.
 The internal walls are in 304BA (polished) stainless steel,
 while the external front and door are in 316SB (brushed)
 stainless steel.
 The refrigeration unit is available at 12 / 24Vdc, 110Vac 60Hz
 or at 220Vac 50Hz with forced air or water cooling.
 Our refrigerators are made of high quality stainless steel and
 are also suitable for outdoor use, provided they are protected
 from the elements with appropriate covers.
 Various options are also available.

| | |
|--|-----------------------|
| CODICE PRODOTTO / PRODUCT CODE | REVISIONE / REVISION: |
| <h1>mod. FRO60C</h1> | R04 |
| | DATA / DATE: |
| | 01/01/2023 |
|  Frigonautica <i>Il freddo a misura di mare</i> Via Confin 64, 30020 Torre di Mosto (Venezia) Italia - Tel: +39 0421.325214 E-Mail: info@frigonautica.it - P.IVA: 03687150270 www.frigonautica.it | |
| <small> PROPRIETA' DI FRIGONAUTICA srl Senza autorizzazione scritta della stessa il presente disegno non potrà essere utilizzato per la costruzione dell'oggetto rappresentato, nè venire comunicato a terzi o riprodotto anche parzialmente. La società proprietaria tutela i propri diritti a rigor di legge. ALL PROPRIETARY RIGHT RESERVED BY FRIGONAUTICA srl This drawing shall not be reproduced also partially or in any way utilized for the manufacture of the component or unit herein illustrated and must not be released to other parties without written consent. Any infringement will be legally pursued. </small> | |

SPECIFICATIONS



FEATURES CABINET FRO60C

- W480xD510xH477 [mm] Fridge capacity 60 Lt;
- Range of temperature from 0°C to +15°C;
- External plasticized galvanized metal sheet;
- Internal walls in 304BA stainless steel (Polished);
- Front part and door in 316SB stainless steel (Brushed);
- Predisposition for rotating the door opening in all directions;
- Polyurethane foam insulation thickness 45mm;
- Weight 18Kg (without compressor);
- Condensate drainage connected by ¼ coupling;
- N. 01 removable horizontal shelf in stainless steel;
- N. 02 removable vertical shelves in stainless steel;
- Static evaporator in copper tube integrated into the insulation;
- Gas expansion by capillary pipe;
- Mechanical thermostat for temperature control;
- External compressor (pipe length 2,5m);
- In case of external use, do not expose the refrigerator directly to atmospheric agents, but protect it adequately with special covers.

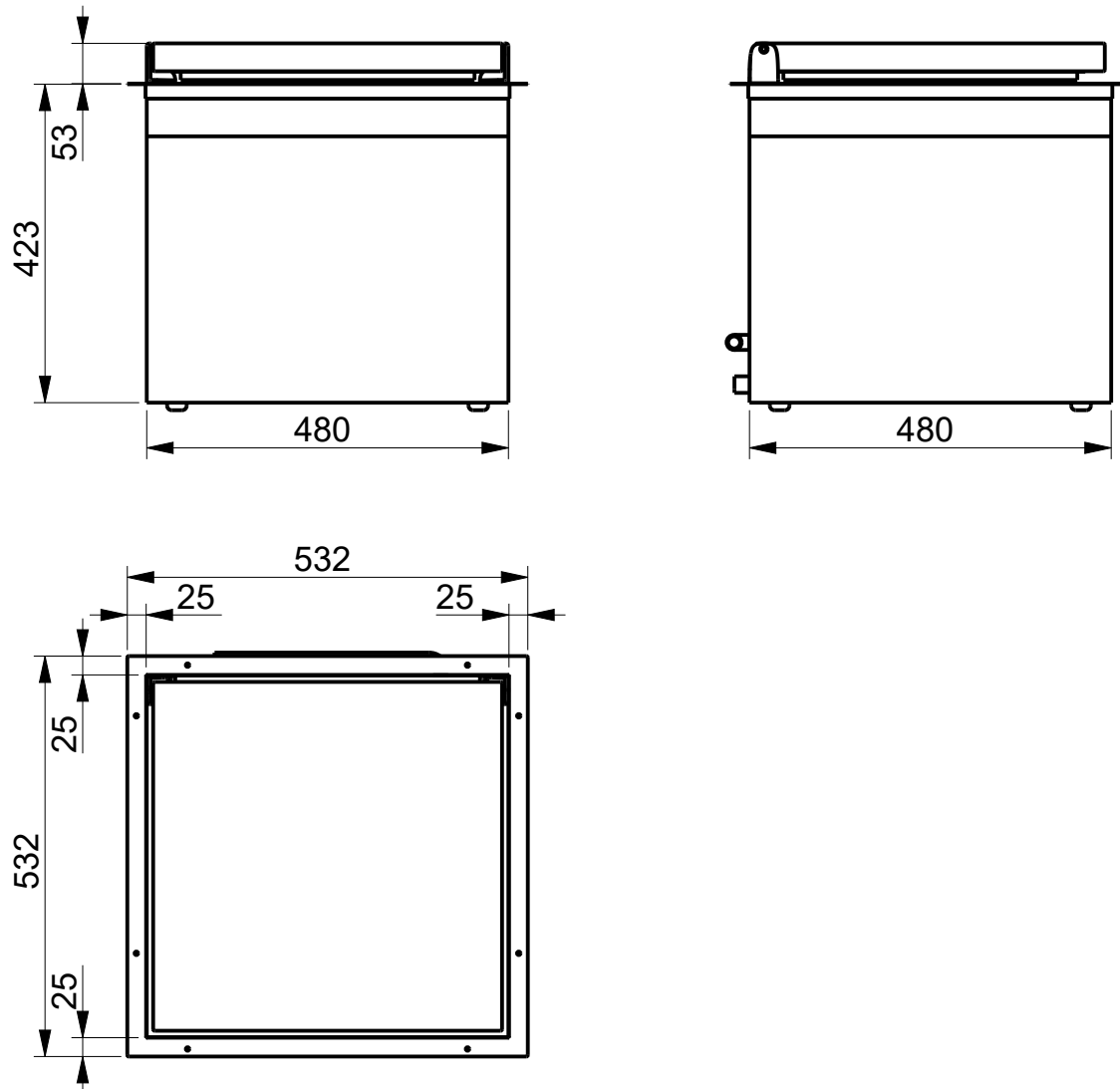
| | |
|---|-----------------------|
| CODICE PRODOTTO / PRODUCT CODE | REVISIONE / REVISION: |
| <h1>mod. FRO60C</h1> | R04 |
| | DATA / DATE: |
| | 01/01/2023 |
|  <i>Il freddo a misura di mare</i> | |
| Via Confin 64, 30020 Torre di Mosto (Venezia) Italia - Tel: +39 0421.325214 E-Mail: info@frigonautica.it - P.IVA: 03687150270 www.frigonautica.it | |

PROPRIETA' DI FRIGONAUTICA srl
 Senza autorizzazione scritta della stessa il presente disegno non potrà essere utilizzato per la costruzione dell'oggetto rappresentato, nè venire comunicato a terzi o riprodotto anche parzialmente. La società proprietaria tutela i propri diritti a rigor di legge.
 ALL PROPRIETARY RIGHT RESERVED BY FRIGONAUTICA srl
 This drawing shall not be reproduced also partially or in any way utilized for the manufacture of the component or unit herein illustrated and must not be released to other parties without written consent. Any infringement will be legally pursued.

ACCESSORIES - OPTIONAL

- FIXING KIT

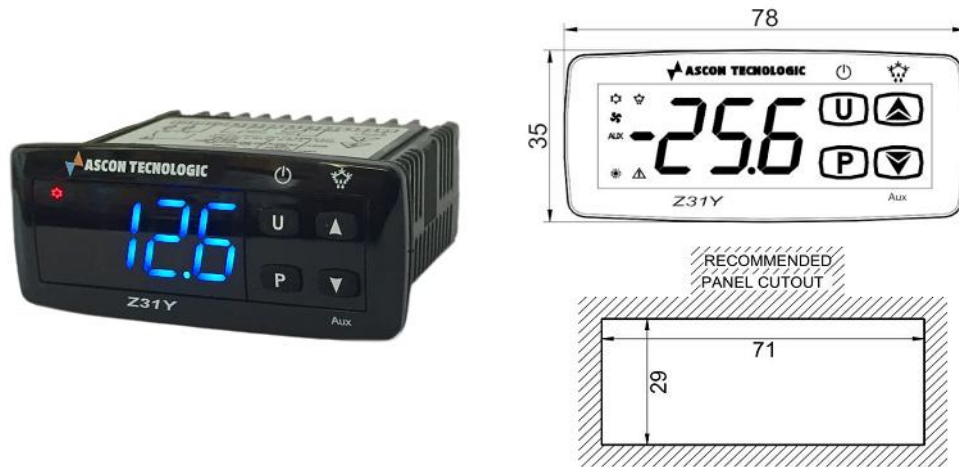
Special stainless steel frame which allows to easily fix the cupboard to the furniture.



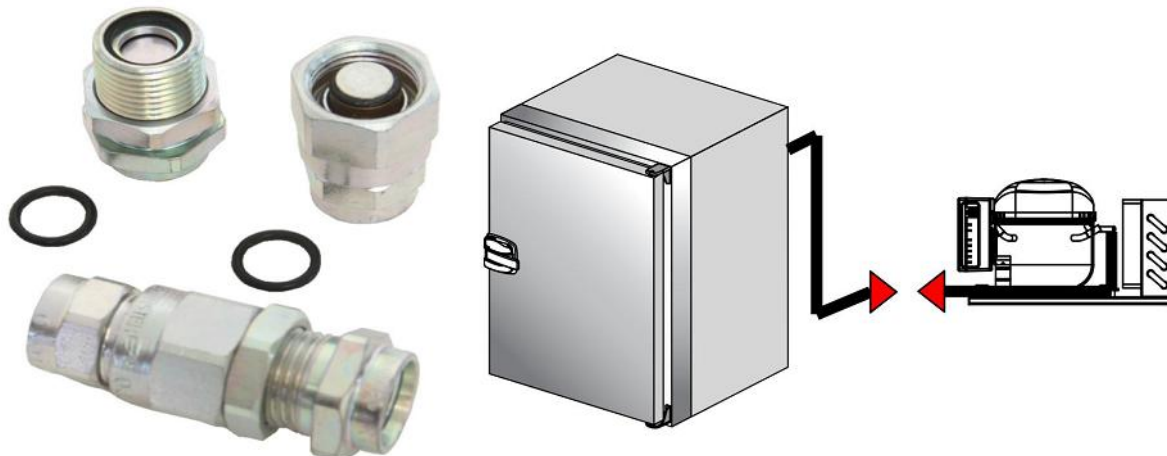
| | |
|--|-----------------------|
| CODICE PRODOTTO / PRODUCT CODE | REVISIONE / REVISION: |
| mod. FRO60C | R04 |
| | DATA / DATE: |
| | 01/01/2023 |
|  Frigonautica <i>Il freddo a misura di mare</i> | |
| Via Confin 64, 30020 Torre di Mosto (Venezia) Italia - Tel: +39 0421.325214 E-Mail: info@frigonautica.it - P.IVA: 03687150270 www.frigonautica.it | |
| <small>PROPRIETA' DI FRIGONAUTICA srl Senza autorizzazione scritta della stessa il presente disegno non potrà essere utilizzato per la costruzione dell'oggetto rappresentato, nè venire comunicato a terzi o riprodotto anche parzialmente. La società proprietaria tutela i propri diritti a rigor di legge. ALL PROPRIETY RIGHT RESERVED BY FRIGONAUTICA srl This drawing shall not be reproduced also patially or in any way utilized for the manufacture of the component or unit herein illustrated and must not be released to other parties without written consent. Any infringement will be legally pursued.</small> | |

ACCESSORIES - OPTIONAL

- REMOTE ELECTRONICAL THERMOSTAT (DIGITAL THERMOSTAT)
In order to keep the internal temperature under control and have real time indications of fridge functionality.



- QUICKLY COUPLINGS
Special couplings which allow to separate cabinet from compressor avoiding gas losing. That's very useful during installation which do not request skilled technical personnel.



- SWITCHING POWER SUPPLY
Compact and powerful switching power supply.
Dimension: W120 x D270 x H50[mm] - 1,1Kg

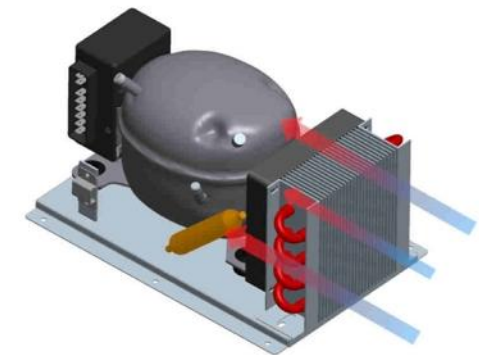
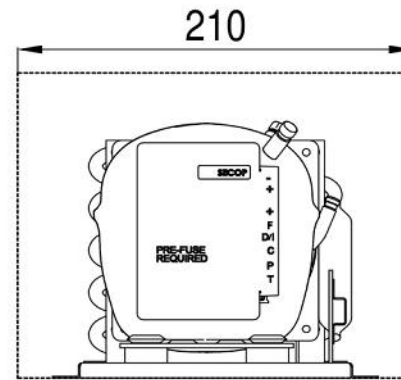
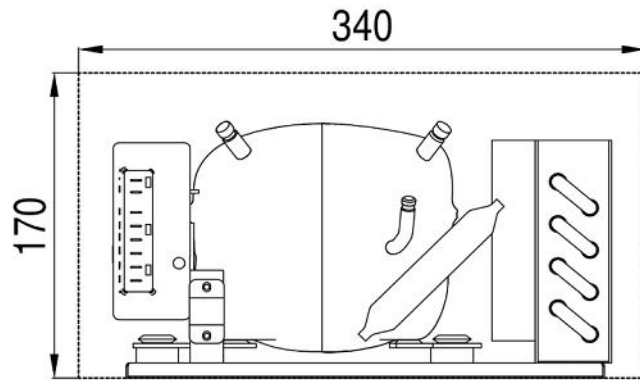


| Model | Input | Power input | Output | |
|--------------------|--------|-------------|--------|-----|
| RA15-110V 12Vdc | 110Vac | 168W | 12Vdc | 14A |
| RA15-110V 24Vdc | 110Vac | 168W | 24Vdc | 7A |
| RA15-220V 12Vdc | 220Vac | 168W | 12Vdc | 14A |
| RA15-220V 24Vdc | 220Vac | 168W | 24Vdc | 7A |

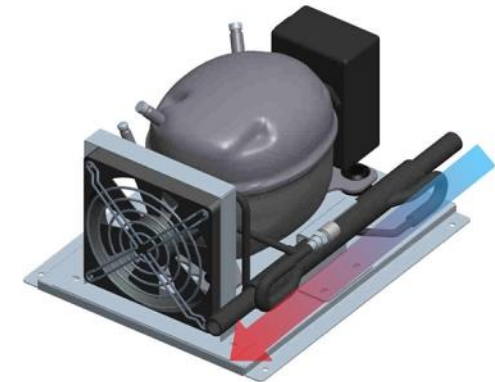
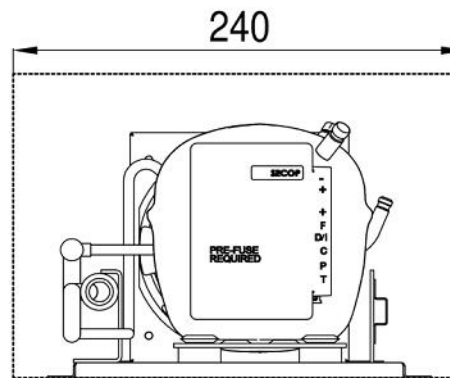
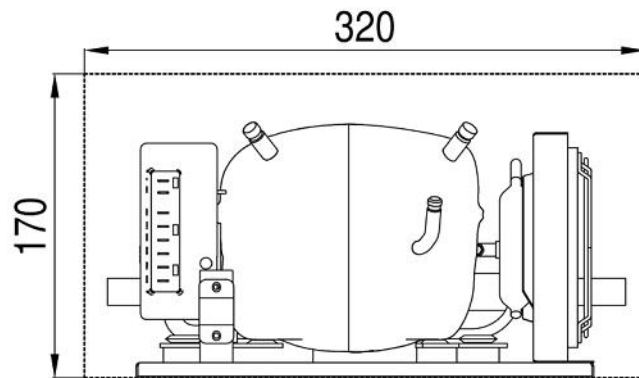
| | | | |
|--|--|-----------------------|--|
| CODICE PRODOTTO / PRODUCT CODE | | REVISIONE / REVISION: | |
| mod. FR160RC | | R04 | |
| | | DATA / DATE: | |
| | | 01/01/2023 | |
|  Frigonautica <i>Il freddo a misura di mare</i> | | | |
| Via Confin 64, 30020 Torre di Mosto (Venezia) Italia - Tel: +39 0421.325214 E-Mail: info@frigonautica.it - P.IVA: 03687150270 www.frigonautica.it | | | |
| <small> PROPRIETA' DI FRIGONAUTICA srl Senza autorizzazione scritta della stessa il presente disegno non potrà essere utilizzato per la costruzione dell'oggetto rappresentato, nè venire comunicato a terzi o riprodotto anche parzialmente. La società proprietaria tutela i propri diritti a rigor di legge. ALL PROPRIETARY RIGHT RESERVED BY FRIGONAUTICA srl This drawing shall not be reproduced also partially or in any way utilized for the manufacture of the component or unit herein illustrated and must not be released to other parties without written consent. Any infringement will be legally pursued. </small> | | | |

REFRIGERATION UNITS - 12/24Vdc

EV80



EAF80



EV - FORCED AIR COOLED COMPRESSOR

The location of the refrigeration unit must be well ventilated and must allow adequate air passage. It is essential to provide good ventilation to the refrigerating unit. The correct working of the system is guaranteed if there is at least 100m³/h airflow to the compressor. We suggest air opening at least 400cm² for suction and at least 400cm² for warm air exit.

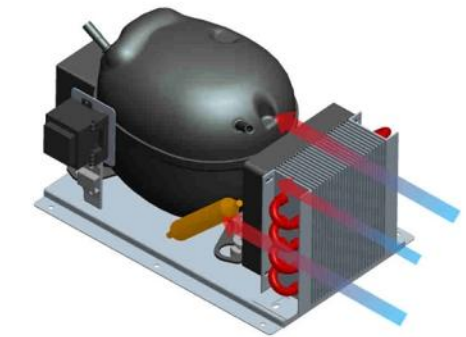
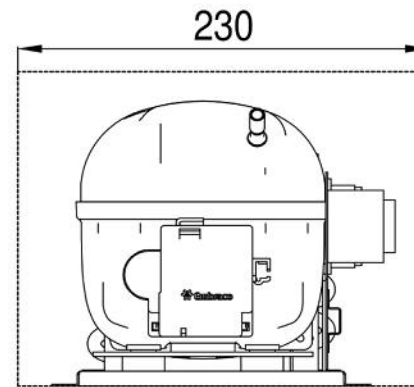
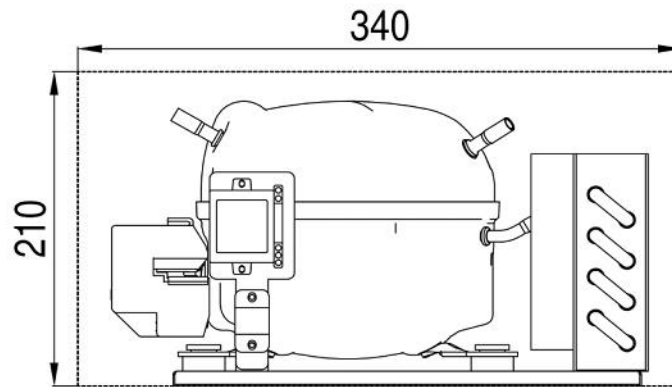
EAF - SEA WATER COOLED COMPRESSOR

The operation of the compressor is ensured by a specific counter-current sea water condenser. The water circulation pump or the external condenser outside the hull are options on request. The location of the refrigeration unit must be well ventilated and the water flow to the condenser must be constant.

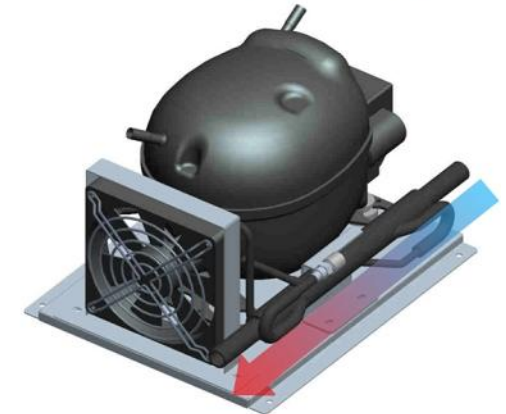
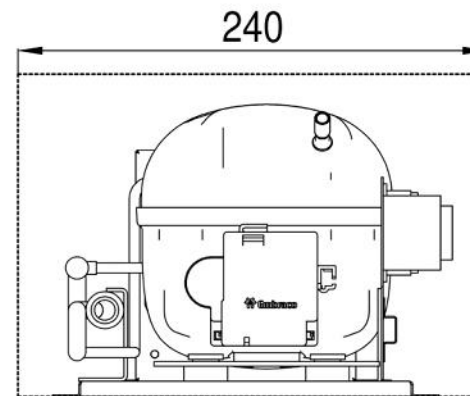
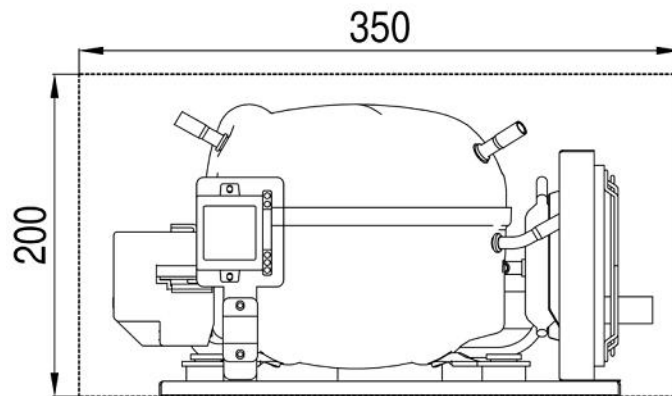
| | |
|--|-----------------------|
| CODICE PRODOTTO / PRODUCT CODE | REVISIONE / REVISION: |
| <h1>mod. FRO60C</h1> | R04 |
| | DATA / DATE: |
| | 01/01/2023 |
|  <p><i>Il freddo a misura di mare</i></p> | |
| <p>Via Confin 64, 30020 Torre di Mosto (Venezia) Italia - Tel: +39 0421.325214 E-Mail: info@frigonautica.it - P.IVA: 03687150270 www.frigonautica.it</p> | |
| <small> PROPRIETA' DI FRIGONAUTICA srl Senza autorizzazione scritta della stessa il presente disegno non potrà essere utilizzato per la costruzione dell'oggetto rappresentato, nè venire comunicato a terzi o riprodotto anche parzialmente. La società proprietaria tutela i propri diritti a rigor di legge. ALL PROPRIETARY RIGHT RESERVED BY FRIGONAUTICA srl This drawing shall not be reproduced also partially or in any way utilized for the manufacture of the component or unit herein illustrated and must not be released to other parties without written consent. Any infringement will be legally pursued. </small> | |

REFRIGERATION UNITS - 110-60Hz - 240Vac 50/60Hz

EV80



EAF80



EV - FORCED AIR COOLED COMPRESSOR

The location of the refrigeration unit must be well ventilated and must allow adequate air passage. It is essential to provide good ventilation to the refrigerating unit. The correct working of the system is guaranteed if there is at least 100m³/h airflow to the compressor. We suggest air opening at least 400cm² for suction and at least 400cm² for warm air exit.

EAF - SEA WATER COOLED COMPRESSOR

The operation of the compressor is ensured by a specific counter-current sea water condenser. The water circulation pump or the external condenser outside the hull are options on request. The location of the refrigeration unit must be well ventilated and the water flow to the condenser must be constant.

| | |
|--|-----------------------|
| CODICE PRODOTTO / PRODUCT CODE | REVISIONE / REVISION: |
| <h1>mod. FRO60C</h1> | R04 |
| | DATA / DATE: |
| | 01/01/2023 |
|  <p>Frigonautica <i>Il freddo a misura di mare</i></p> | |
| <p>Via Confin 64, 30020 Torre di Mosto (Venezia) Italia - Tel: +39 0421.325214 E-Mail: info@frigonautica.it - P.IVA: 03687150270 www.frigonautica.it</p> | |
| <small> PROPRIETA' DI FRIGONAUTICA srl Senza autorizzazione scritta della stessa il presente disegno non potrà essere utilizzato per la costruzione dell'oggetto rappresentato, nè venire comunicato a terzi o riprodotto anche parzialmente. La società proprietaria tutela i propri diritti a rigor di legge. ALL PROPRIETARY RIGHT RESERVED BY FRIGONAUTICA srl This drawing shall not be reproduced also partially or in any way utilized for the manufacture of the component or unit herein illustrated and must not be released to other parties without written consent. Any infringement will be legally pursued. </small> | |