

EN

Installation and usage instructions

Isotherm Built-In cooling boxes

BI29 Dual, BI36, BI40, BI41 Dual, BI53F, BI75, BI92 Dual

I

Istruzioni per l'installazione e l'uso

Frigoriferi & Freezer a pozzetto Isotherm da incasso

BI29 Dual, BI36, BI40, BI41 Dual, BI53F, BI75, BI92 Dual

DE

Installations- und Wartungsanleitung

Isotherm Kühl/Gefrier-Einbauboxen

BI29 Dual, BI36, BI40, BI41 Dual, BI53F, BI75, BI92 Dual

FR

Instructions pour l'installation et l'utilisation

Coffres de refroidissement intégrés Isotherm

BI29 Dual, BI36, BI40, BI41 Dual, BI53F, BI75, BI92 Dual

ES

Instrucciones para la instalación y el uso

Arcones nevera y congelador Isotherm empotrables

BI29 Dual, BI36, BI40, BI41 Dual, BI53F, BI75, BI92 Dual

NL

Aanwijzingen voor gebruik en installatie

Isotherm Koelkasten en Diepvrieskasten voor inbouw

BI29 Dual, BI36, BI40, BI41 Dual, BI53F, BI75, BI92 Dual

FI

Asennus- ja käyttöohjeet

Kalusteeseen upotettavat ohjaamon Isotherm-jääkaapit ja pakastimet

BI29 Dual, BI36, BI40, BI41 Dual, BI53F, BI75, BI92 Dual

SV

Installations- och bruksanvisning

Toppöppnade kyl/frys-boxar isotherm

BI29 Dual, BI36, BI40, BI41 Dual, BI53F, BI75, BI92 Dual

RU

Инструкция по установке и эксплуатации

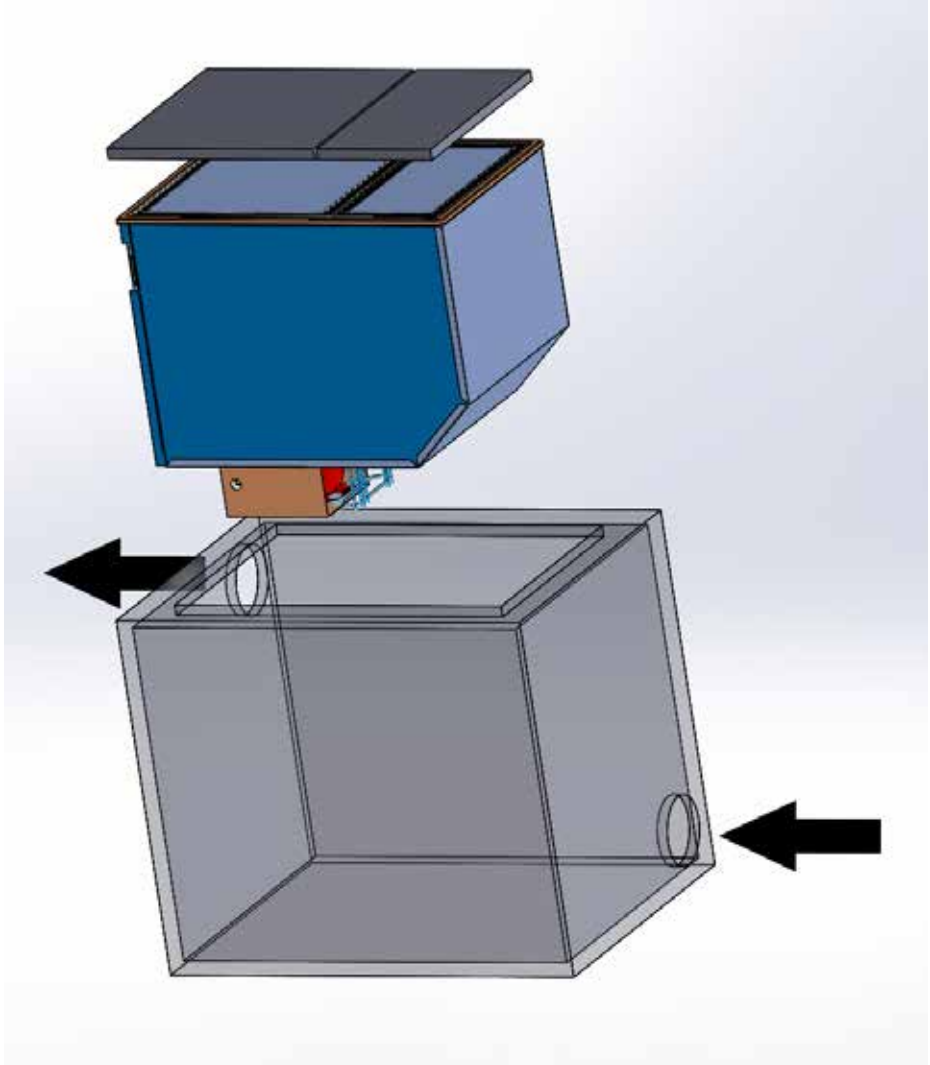
Холодильники & Морозильные камеры с верхней горизонтальной загрузкой Isotherm встраиваемые

BI29 Dual, BI36, BI40, BI41 Dual, BI53F, BI75, BI92 Dual



indel
Webasto
Marine

Fig.1



Isotherm Built-In Serie

Fig.2

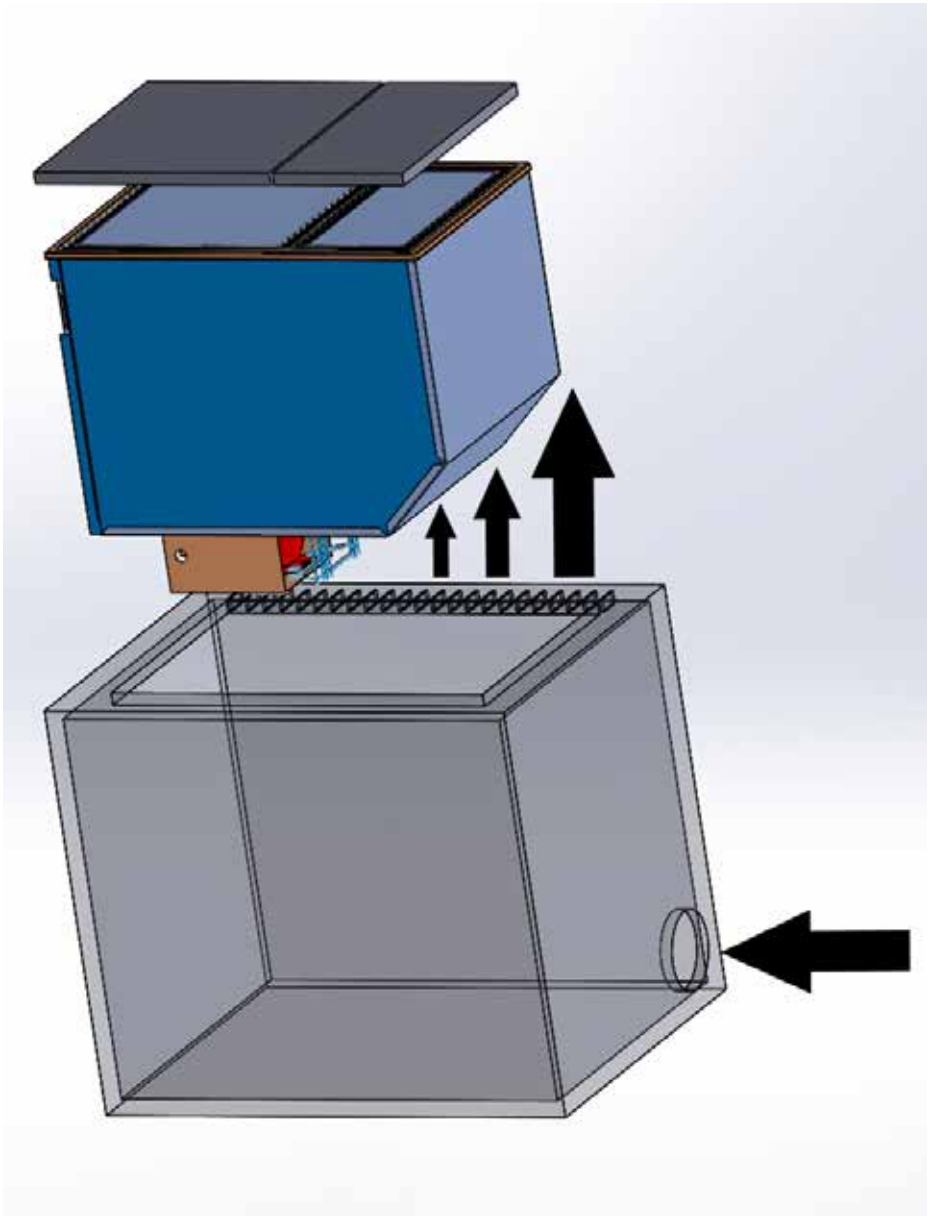


Fig.3

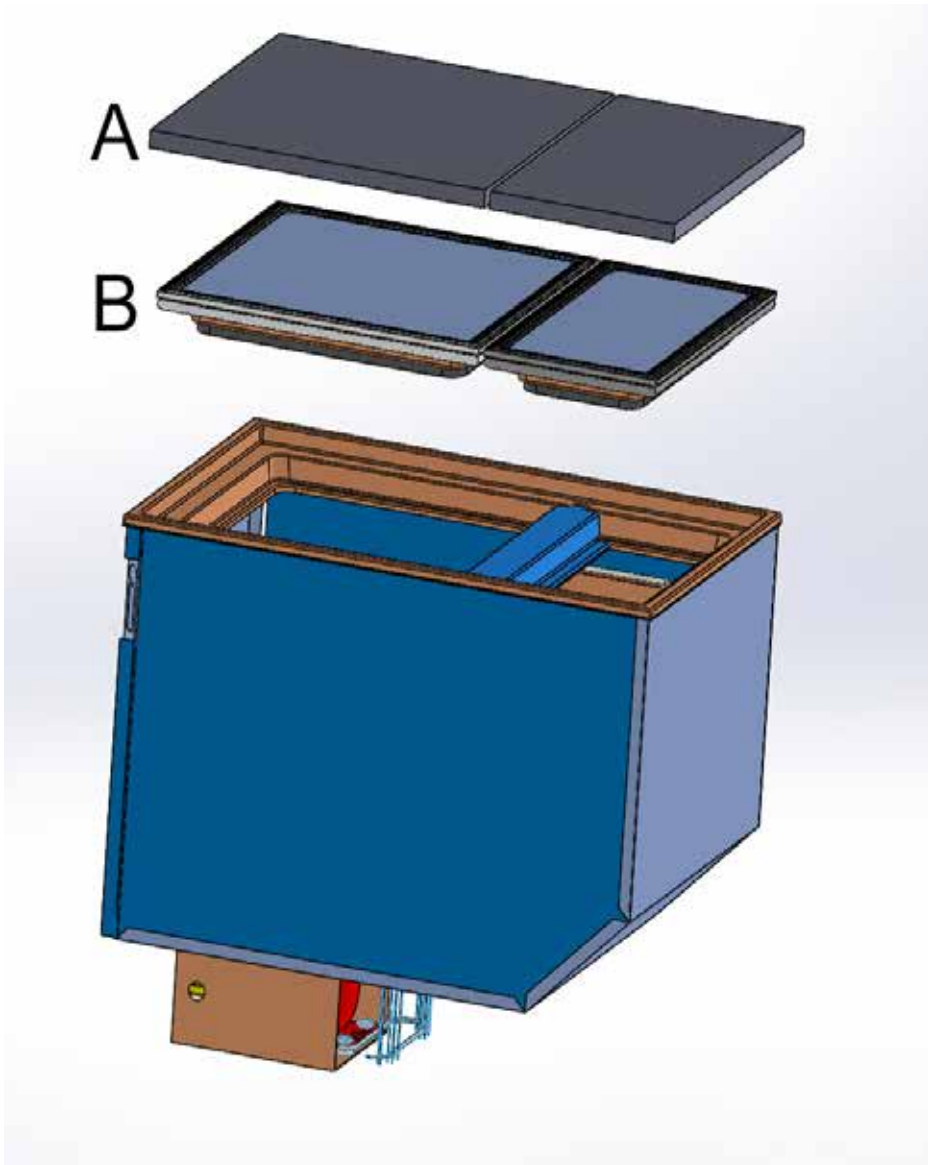


Fig.4

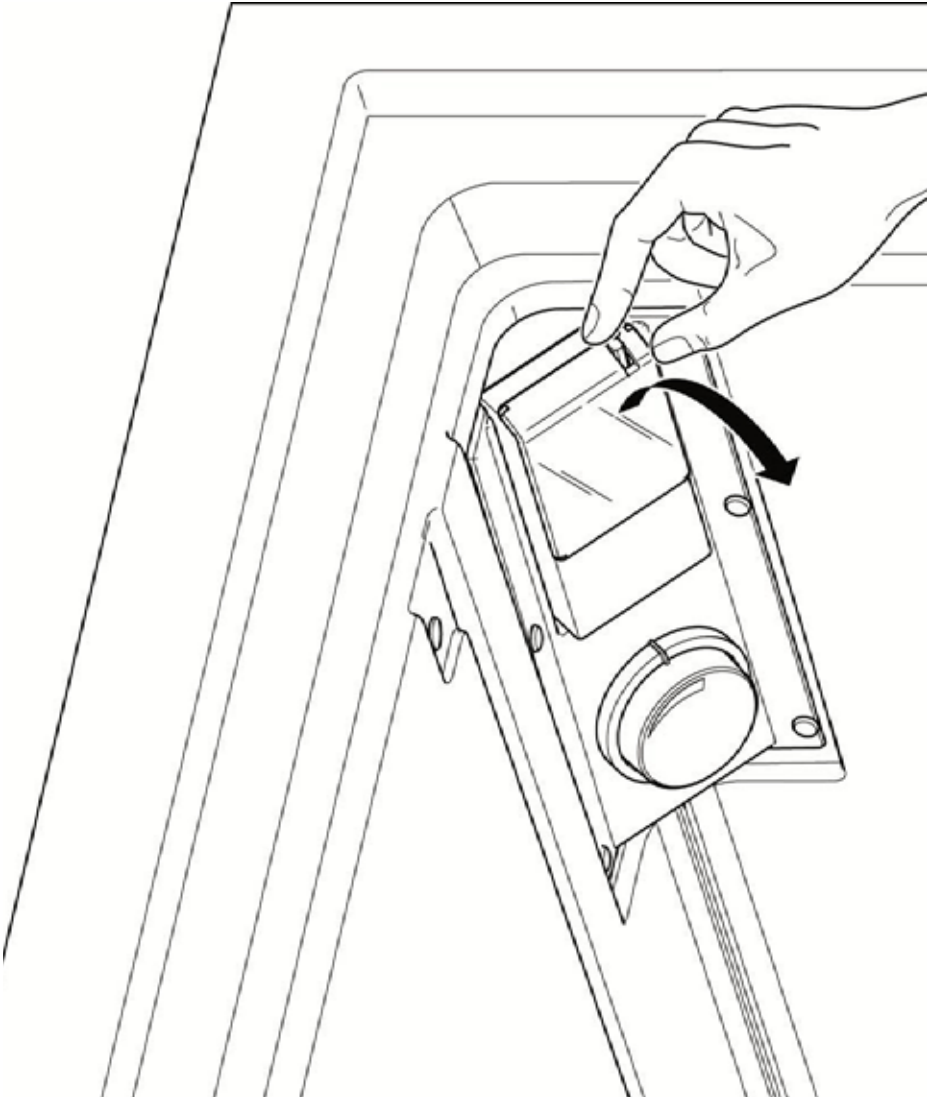
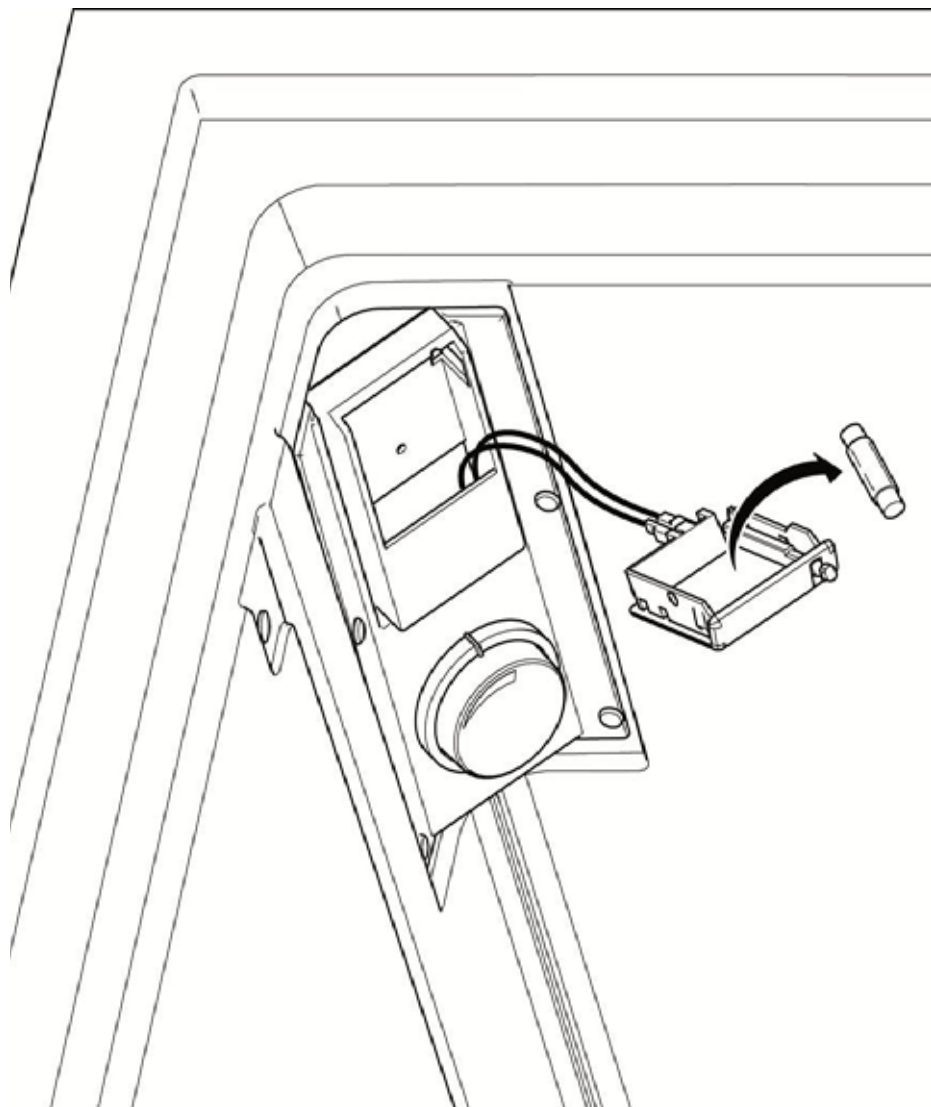


Fig.5



Summary

1. Instructions and Use	10
1.1 Environment	11
1.2 Safety Standards	12
2. Usage instructions	15
2.1 Thermostat-controlled temperature regulation	15
2.2 Usage recommendations	16
3. Maintenance	17
3.1 Defrosting.....	17
3.2 Seasonal Maintenance.....	17
3.3 Maintenance for Long Periods of Inactivity	18
4 Low voltage protection	18
5 Installation Warnings.....	19
5.1 Installation	21
5.2 Ventilation.....	22
5.3 Electrical Connections.....	22
5.4 Size of the electrical cables	23
5.5 Internal lighting (only in the models pre-set for this function).....	23
6 Technical data (standard configurations).....	24
7 Troubleshooting.....	25
8 LEDs for diagnostics	28
9 Dimensions.....	29
10 Warranty	30

1. Instructions and Use








This manual contains warnings to signal dangers to the user or particular behaviour to comply with; these warnings are indicated as follows:



WARNING!



Do not start the product before reading this instruction manual.

<p>Obligation to read instructions The presence of this symbol mandates reading of instructions before putting the product into operation.</p>	
<p>Obligation to disconnect The presence of this symbol mandates immediate disconnection of the product from the mains in case of failures.</p>	
<p>Obligation to wear gloves The presence of this symbol mandates each operator wear suitable protective gloves.</p>	
<p>Obligation to wear shoes The presence of this symbol mandates each operator wear shoes designed to decrease the risk of injury.</p>	
<p>General hazard The presence of this symbol mandates special attention by the operator.</p>	
<p>Shock Hazard The presence of this symbol tells personnel involved that the described operation may present a risk of electric shock.</p>	
<p>High intensity light hazard The presence of this symbol indicates that you must take special care with the high intensity bright lights, risk to eyesight.</p>	

User Manual



WARNING! This manual must be kept for future reference. We recommend that users:

- Store this manual in an accessible location protected from moisture and heat and protected from the direct rays of the sun.
- Use the manual in such a way as to avoid damaging it or any part of its content.
- Do not remove, alter or tear on any part of the manual.

Despite the care and thoroughness with which this manual has been prepared, Indel Webasto Marine Srl cannot guarantee that the information within covers every possible event associated with installation of the product. Contact our technicians immediately in the event of uncertainty. In the event of selling or transferring the product to another person, this manual and related documents should be delivered intact to the new user.




WARNING! This manual refers to the standard version of the product. Non-standard machines may have minor differences not described in this manual. Contact the manufacturer if in doubt.

1.1 Environment

This product complies with the Directive 2002/96/EC regarding waste electrical and electronic equipment (WEEE).

The product's proper disposal is essential to preventing negative consequences for the environment and human health.



The symbol  on the product, the packaging and/or the accompanying documentation indicates that the product should not be disposed of as household waste. The product must be taken to an authorized collection centre for the recycling of electrical and electronic equipment. The product must be disposed of in compliance with the current local environmental regulations regarding waste disposal.

For more information regarding the disposal, recycling and reuse of the product, please contact your local authorities, your local waste collection service or the retailer/distributor from whom the product was purchased.

Packaging is manufactured from recyclable material. It bears the



recycling symbol and must be delivered to a collection centre.



The symbol indicates that the product complies with all European Union provisions provided for its use.



WARNING! This product contains fluorinated greenhouse gas R134a within a hermetically sealed system whose operation depends on the presence of said gas.



WARNING! Never open the refrigerant circuit except for the normal connection/disconnection of couplings (where present). The R134a refrigerant contained within the product is non-flammable in normal conditions. Never dispose of the refrigerant R134a in the environment.

Contact a qualified certified technician for handling fluorinated gases in the event of damage to the refrigerant circuit.

1.2 Safety Standards



WARNING! Indel Webasto Marine Srl disclaims all liability for any malfunction or damage to persons or property due to improper use of the machine or with materials with different characteristics than those described in this manual.

Improper use or use of the product not in line with the information contained in this manual cannot result in claims against the manufacturer and/or supplier.



WARNING! The product is only suitable for the preservation and/or storage of food items. The food items must be stored in their original packing or else in suitable containers. Do not consume expired food products as such behaviour could result in food poisoning.

User Manual



WARNING! If medicines are to be stored in the product, check that it has a cooling capacity that will meet the requirements of the respective medicines.



WARNING! The only purpose and function of the product when used as a freezer is to maintain already frozen food completely frozen.

The refrigerator will not freeze non-frozen or partially frozen food products. If a non-frozen or partially frozen food product is stored in the freezer, this is considered improper use and can cause possible unintended thawing of food which may lead to problems related to safety, illness or injury if swallowed.

The preservation of non-frozen or partially frozen food in the freezer can also affect the quality of other frozen food products stored in the freezer.

Exposure to temperatures above the temperature of the climatic class range for which the freezer was built, power supply interruptions and/or frequent opening of the freezer can influence the effectiveness of the refrigerator and the quality of the contents of the freezer.

The user should always check food quality before ingesting.



WARNING! For extended periods of inactivity, disconnect all of its power supplies. Leave the product door slightly open to air out the inside and prevent the formation of mould.



WARNING! Eliminate all sources of heat and sparks within the product's vicinity; in the event of coolant leakage, remove the unit's power plug and ventilate the room thoroughly.



WARNING! Disconnect the product from the mains power supply immediately in the event of any malfunction. Never touch any damaged or non-insulated electrical cables while the electrical power supply is enabled. This observation is particularly true when the product is connected to 115V or 230V mains voltage.



If the power cable is damaged, it must be replaced. Contact qualified personnel or

the Service Centre.



WARNING! Do not store inside the product or in the vicinity of its electrical parts: flammable substance-based spray cans, explosive materials, electrical equipment, live animals.

Spray cans containing flammable substances may have leakage of these gases which, in contact with electrical parts, can ignite or cause explosions.

Avoid flames or sparks inside the product.

Do not use electrical equipment inside the product.



WARNING! The product cannot be used by children under 8 years of age.

The product can be used by children over 8 years of age and by people with reduced physical, sensory or mental capabilities, or lack of experience or knowledge, provided they are supervised or after they have received instructions on safe use of the product and understanding of the dangers inherent in it.

Children should not play with the product. Cleaning and maintenance meant to be performed by the user and must not be performed by unsupervised children.

User Manual

2. Usage instructions

The climate class is indicated on the data plate inside the unit itself.

SN or **extended temperate class** (ambient temperature from 10°C to 32°C)

N or **temperate class** (ambient temperature from 16°C to 32°C)

ST or **subtropical class** (ambient temperature from 16°C to 38°C)

T or **tropical class** (ambient temperature from 16°C to 43°C)

2.1 Thermostat-controlled temperature regulation

Product temperature is adjusted by turning the thermostat knob:

-Thermostat A:

1 corresponds to the highest internal temperature, 7 corresponds to the lowest internal temperature.

-Thermostat B:

The temperature values indicated on the knob correspond to the desired average internal temperature.

It is recommended to keep the product at a temperature of 5-6°C. Since the outside temperature can affect the product internal temperature, it can be difficult to maintain the desired temperature if it is exposed to heat and/or direct sunlight.

Thermostat Knob

A



B



Models BI29, BI41 and BI92, called “Dual”, have a B thermostat and can be used both as refrigerators and as freezers within the following temperature range:

BI29 Dual from +10°C to -12°C

BI41 Dual from +10°C to -10°C

BI92 Dual from +10°C to -20°C

2.2 Usage recommendations

- If possible, the product should be turned on for about 6 hours prior to inserting the food items.
- Frequent opening of the product will result in greater power consumption.
- Ensuring adequate ventilation for the compressor and the condensing unit will significantly reduce power consumption.
- Never obstruct the product’s ventilation system.
- The electrical system must be kept in good condition. Inspect the batteries and check the charge levels regularly. Always use a starter battery separate from the motor.
- Keep the inside of the product clean and dry. Remove the condensation water from the drip tray beneath the refrigerator’s freezer compartment where present.
- The product has been designed with a lock protection for the product itself in the event of low battery voltage. In the event of a compressor block, follow the instructions in this manual and/or contact specialised technicians or Indel Webasto Marine Srl service centres.
- The compressor can operate up to an angle of 30°, while greater angles can cause permanent damage to the compressor.

User Manual

3. Maintenance



WARNING! Perform maintenance operations only when the product is switched off and disconnected from power sources.

Isotherm Built-In products are equipped with closed cooling systems, which do not require maintenance or refrigerant refills.

3.1 Defrosting

Since the evaporator operates at temperatures well below freezing, ice and frost will inevitably form upon it.

The humidity in the air, the temperature and the number of times the door is opened will have a significant impact on frost formation.

The product should always be defrosted when the layer of frost on the evaporator reaches a thickness of 3-4 mm or more.

Switch off the product by turning the thermostat knob.

Defrosting should be performed when the products can remain as cool as possible outside of the product compartment. Do not use sharp objects to remove ice and frost from the evaporator, as this could damage it and result in leaks.

Only turn product back on once it has been defrosted, cleaned and thoroughly dried. Some models are equipped with a hole at the base of the inside drawer to facilitate condensate discharge. A towel can be placed at the base of the product during the defrosting procedure in order to facilitate water collection.

3.2 Seasonal Maintenance

Seasonal maintenance is performed:

1st with cleaning of the condensing unit. In particular, it is necessary to brush/vacuum out all the dust that has accumulated. This can be done using a soft brush and a vacuum cleaner.

2nd with cleaning of the internal compartment. In particular, wash with warm water and mild soap, drying any water/condensation that may be encountered.

3.3 Maintenance for Long Periods of Inactivity

In the winter, the product must be stored inside the vehicle, as it will not work at temperatures near or below 0°C. When switching off the product for prolonged periods of time, wait for complete defrosting and remove the condensation that has formed. To prevent damage to the product, electrical/mechanical components and/or the formation of mould. The natural defrosting time can vary from a few minutes to several hours. When the product is shut off, the door should be left in ventilation position and **all power disconnected**.

4 Low voltage protection

In order to prevent excessive battery depletion, a protection device shuts off the compressor in case of insufficient voltage and turns it back on when the voltage in the system increases after the batteries have been charged.

System Voltage	Shut-down Voltage	Minimum Operating Voltage
12V	9.6 (10.4) V	10.9 (11.7) V
24V	21.3 (22.8) V	22.7 (24.2) V

If the bridge is removed between C and P, the values indicated in the parentheses are valid.



WARNINGS: Before switching on the product, always make sure that the batteries are in optimal condition.

User Manual

5 Installation Warnings



WARNING!



In order to guarantee the product's safe functionality, follow the indications included within these instructions when installing and connecting the product.



WARNING! Always use PPE



(Personal Protective

Equipment) during product handling and installation.



WARNING! Any changes made to the product without the knowledge of the manufacturer will be the sole responsibility of those carrying out said changes. Changes made without the permission of Indel Webasto Marine Srl will void all warranties and may void the declaration of conformity to applicable directives.



WARNING! Check for any visible damage on the product's mechanical and electrical components prior to use.



WARNING! Do not damage refrigerant circuit pipes. Coolant sprays can damage eyesight.



WARNING! In the event of damage to the product itself, notify the supplier immediately before performing the connections.



WARNING! If the power cable is damaged, it must be replaced by the manufacturer, an authorized Service Centre or a qualified technician.



WARNING! Install the product in a dry place that's sheltered against water spray. The unit's electrical components must NOT be exposed to rainfall and/or

sprays of water.



WARNING! Install the product away from gas or LPG cylinders.



WARNING! The product must be installed in an area accessible for any maintenance. The housing space of live parts and of the condensing unit/compressor must only be opened voluntarily and not directly accessible.



WARNING! The compressor/condensation unit installation area must be made with a material resistant to the needle-flame test required by standard EN 603335---1 or else be more than 5 cm from electrical and/or electronic components.



WARNING! If there is a battery charger, it must be connected to the battery and never directly to the product.



WARNING! The product must be protected against indirect contact in accordance with the "Heavy Current Regulations".



WARNING! In case of power connection from AC mains, to avoid the risk of serious personal injury, ensure that it is equipped with cut-off devices (switches) which permit total disconnection of the product current and protective devices which automatically intervene in the event of malfunction.



WARNING! Never touch any damaged or non-insulated electrical cables while the electrical power supply is enabled. This observation is particularly true when the product is connected to 115Volt or 230Volt.

User Manual

5.1 Installation

Isotherm products have been designed and constructed exclusively for recessed installation.



WARNING! The product must be installed horizontally and the compressor must always be installed with its rubber feet resting downward.

The compressor is capable of functioning at angles of up to 30°.



WARNING! The compressor can become damaged with any higher inclinations.

Also remote operation compressors must be installed with its rubber feet resting downward.

Secure the product so that it cannot tip/slide in the event of rough seas or in the case of sudden vehicle movement. The product should be anchored by at least 2 fastening points, in accordance with the provisions of the EN 60335-2-24 standard.

The covers supplied with the product (Fig. 3B) are insulated and provided with special gaskets so as to ensure correct functioning of the product and to maintain the correct temperature, but they are not finished on the surface and are not provided with hinges or handles.

Install cladding for covers (not provided by Indel Webasto Marine Srl) as illustrated in (Fig. 3A), fastening any hinges and/or handles on the cladding.



WARNING! Make sure that the cover has been properly closed, check that the gasket is sealed properly on the trunk.

5.2 Ventilation

Make sure that the compressor/condensing unit is well-ventilated so that the fresh air can escape from the top.

The illustrations (Fig.1-2) show an example of how the product housing should be set.

5.3 Electrical Connections

In order connect the unit to the vehicle’s electrical system, proceed as follows:

- Before turning on the appliance, check to make sure that the voltage of the electrical system and/or battery complies with that which is indicated on the unit’s data plate.
- Connect the product directly to the battery or to the relative main switch and make sure that the system is equipped with an electric device that’s capable of protecting the circuit against possible overcurrents.

If the power supply voltage is different from 12/24Vdc, install a ΔI 0.03A differential circuit breaker. Avoid connecting the unit via the vehicle’s control panel as this could result in voltage drops.

- Insert a fuse upstream from the product (see the table below). Connect the red wire to the electrical system’s positive terminal, and connect the black wire the negative terminal. Use a pressed lug terminal that’s suitable for the cable’s size.
- A separate switch that simultaneously disconnects the power cables must be installed upstream from the product. Check to make sure that the installed switch supports the corresponding load indicated in the table below.

Models	12Vdc	24Vdc
BI29Dual, BI36, BI40, BI41Dual, BI53F, BI75, BI92Dual	15A	7.5A



WARNING! If there is a battery charger, it must be connected to the battery and never directly to the product.

All wiring diagrams can be found at the end of the manual

User Manual

5.4 Size of the electrical cables

Always use cables of a suitable cross-section. The minimum cross-sections are listed in the table below:

Cross-section in mm ²	AWG section	Max 12 V cable length m/ft	Max 24V cable length m/ft
2.5	13	2.5/8	5/16
4	11	4/13	8/26
6	9	6/19	12/39
10	7	10/33	20/66

5.5 Internal lighting (only in the models pre-set for this function)

In order to replace the LED light bulb, slide the lighting unit's glass down using the appropriate lever. Replace the light bulb and to return the lighting unit to its original state (Fig. 4-5).

Only use original Indel Webasto Marine Srl spare parts.

6 Technical data (standard configurations)

Operating voltage: 12 or 24 Vdc

The average consumption reported was measured with an internal temperature of +5°C and an external temperature of 25°C as required by standards ISO 15502:2005 and EN 153:2006.

The average consumption is greatly influenced by the product's usage mode and the type of ventilation.

The type and quantity of gas in the system are indicated on the product data plate.

The products meet the requirements of the EMC directive and bear the CE marking.

Model	Instantaneous consumption 12/24Vdc (Amperes)	Instantaneous consumption 12/24Vdc (Watt)	Average consumption at 25°C (Wh/24h)
BI 29 Dual	6.0/3.0	72	250
BI 36	6.0/3.0	72	260
BI 40	6.0/3.0	72	270
BI 41 Dual	6.0/3.0	72	270
BI 53F	7.0/3.5	85	260
BI 75	6.0/3.0	72	340
BI 92 Dual	7.0/3.5	85	360

User Manual

7 Troubleshooting

All work on electrical parts or electrical connections and the refrigerant circuit must be carried out by qualified and authorised personnel.

Warning: Disconnect electrical power before performing any operations on electrical parts or on electrical connections.

Defect	Possible cause	Intervention
The product does not cool, the compressor will not start.	No electrical power. Battery in poor conditions. Faulty thermostat. Defective electronic control unit.	Check to make sure that the electronic control unit is receiving sufficient power and voltage; check the fuse. Verify that the internal lighting is working and that the compressor is receiving power. Check the cables, lugs and connectors. Verify that the battery is charging properly. Check the thermostat: Bridge T - C with a separate cable. If the compressor will not start, its electronics are probably defective. Replace. If the compressor starts up with the bridge, the thermostat is defective. Replace the thermostat.
The compressor only performs brief attempts at starting up.	There is insufficient voltage or else a drop in voltage during the attempt to start. The protection device is activated. The Batteries are drained.	Check the cables and connections; remove any traces of oxidation or corrosion. Charge the batteries, start the motor or connect the battery charger.
The compressor functions but doesn't cool.	Loss of refrigerant through the evaporator or the tubing. Tubing clogged.	Carry out a leak check and repair any leaks, drain and refill the proper amount of refrigerant. (This operation must be carried out by a qualified technician.)
The compressor runs for a long time but doesn't cool properly (reduced efficiency).	Insufficient ventilation, the condensation unit is overheating. The fan is not working properly. There is too much frost on the evaporator. The door does not close properly and lets in warm, moist air. The condenser is blocked by dust.	Increase the ventilation. Replace the fan. Defrost the unit. Correct the position of the door and check the gasket. Clean the condensing unit.

<p>The fuse blows.</p>	<p>The wrong fuse is being used. Defective electronic control unit.</p>	<p>Check the fuse: see table in section 5.4. Replace the electronic control unit.</p>
<p>The compressor is operating intermittently.</p>	<p>Battery low or electrical cables in poor conditions.</p>	<p>Check wiring conditions, examining for loose connections, rust or verdigris. If wiring needs to be replaced, see the manual for correct sizing. If wiring is in good conditions, check battery function and replace if in poor condition.</p>
<p>The compressor never stops (correct fridge performance)</p>	<p>Incorrect thermostat connection on the electronic control unit. Thermostat broken. Condensation is not working properly, evaporator cools but not enough to cause the thermostat to stop the compressor.</p>	<p>Rotate the thermostat to off position. If the refrigerator continues to function, then there is continuity on the control unit. Correct the problem on thermostat connections (make sure the bridge is present on C and P and not on C and T on the electronic control unit). Rotate the thermostat to off position. If the compressor switches off but it is impossible to regulate temperature, replace the thermostat or recharge the cooling system.</p>
<p>The compressor never stops (poor fridge performance)</p>	<p>Environment very hot + insufficient ventilation or little gas in the refrigerant circuit.</p>	<p>Check ventilation. The compressor must be installed in a well-ventilated location. If possible, remove the refrigerator from the installation hole. If the refrigerator operates better, improve ventilation, consulting the manual for correct installation. If ventilation is instead optimal, check for the presence of gas in the system, contacting a specialised technician.</p>
<p>The freezer compartment is cold but the refrigerator is not</p>	<p>Insufficient ventilation, little gas in the refrigerant circuit, electrical power not continuous.</p>	<p>Check ventilation. The compressor must be installed in a well-ventilated location. If possible, remove the refrigerator from the installation hole. If the refrigerator operates better, improve ventilation, consulting the manual for correct installation. Check electrical connection and battery conditions. If ventilation is instead optimal, check for the presence of gas in the system, contacting a specialised technician.</p>

User Manual

Excess ice on the evaporator.	Moisture infiltration in the product.	Check the conditions of the gasket on all four sides of the door. The gasket must close perfectly on the unit. If the formation of ice is thicker on one side, most likely there is moisture infiltration in the refrigerator is coming from that side. Use a moderate heat source to model the gasket into position. If the gasket cannot be modelled, replace the entire door.
The refrigerator cools too much.	The thermostat sensor is too covered or incorrectly positioned	The end of the sensor must be in contact with the evaporator. Set the sensor in the correct position. If the refrigerator continues to cool too much, replace the thermostat.
The compressor is noisier than normal.	The compressor is not properly secured on its support or it is touching the wall.	Check that compressor screws are properly tightened and that nothing is in contact with it. The compressor vibrates and, if something is in contact with it, vibrations increase.
The fan/s is/are noisier than normal.	The fan structure is bent or the fan is broken.	Remove the clamps/screws used to secure the fan. Replace if the fan continues to make noise. Make sure that all of the fan is intact. Replace if one or more fins is missing.
The internal light does not switch on.	Polarity reversed or broken bulb.	Check bulb polarity. Replace light bulb if polarity is correct.
Door/Drawer not closing properly.	Incorrect position of hinges or deformed gasket.	Re-position hinges so that the door closes correctly. Use a moderate heat source to remodel the gasket. Replace door if problem persists. In the case of drawer refrigerators, use the adjustable guides to align the door.

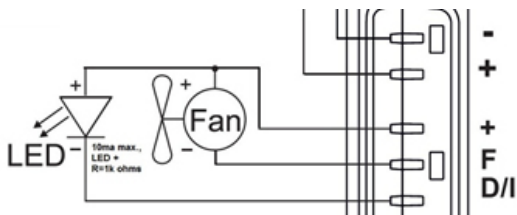
For more complicated defects requiring specialised assistance, please contact Indel Webasto Marine S.r.l. Italia or your nearest Isotherm retailer.

8 LEDs for diagnostics

The electronic control unit has a troubleshooting function when a LED is connected as shown below.

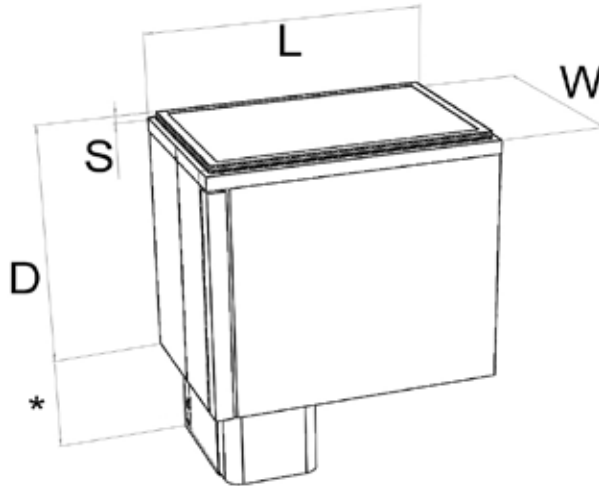
The number of flashes indicates the type of error.

Number of LED Flashes	Type of Error	Solution
6	Defective sensor (the sensor is defective or disconnected).	Re-connect the sensor and verify that the compressor starts working again. Replace sensor if the compressor does not work.
5	Thermal protection of the electronic control unit. (the electronic control unit overheats if the refrigeration system has become overloaded or the environmental temperature is too high)	Remove excess gas or increase ventilation.
4	Minimum motor speed error. (if the refrigeration system has been overloaded, the motor cannot maintain minimum speed of approximately 1.850 RPM).	Remove excess gas.
3	Motor starting error [the rotor is blocked or pressure inside the refrigerant circuit is too high (> 5 bar)]. Defective electronic control unit.	The first operation to attempt is to replace the electronic control unit. Replace compressor if problem persists.
2	Fan short-circuited (the fan absorbs more than 1A from the electronic control unit).	Replace the fan.
1	Battery protection (voltage is outside the maximum and minimum voltages).	Check power cable conditions. Replace with new cables if necessary. Check battery conditions.



User Manual

9 Dimensions



Model	Width (mm) [W]	Length (mm) [L]	Depth (mm) [D]	Door Thickness (mm) [S]	Cut-Out (mm) W:H	Top Edge (mm) W:L	Hoses ¹	Notes
BI 29 Dual	342	510+160*	330	35 included	344:500	343:499	/	REM
BI 36	240	438	555+160*	35 included	442:244	/	+25	REM
BI 40	395	400+160*	400	40 included	399:399	415:415	+20	REM
BI 41 Dual	342	497	468+160*	14 included	344:500	343:499	/	REM
BI 53F	425	645	470+160*	/	429:649	430:648	+15	REM
BI 75	425	645	470+160*	/	429:649	430:648	+15	REM
BI 92 Dual	480	801	455+160*	/	484:805	484:804	+25	REM

NOTES:

REM: The product is provided with the possibility of moving the compressor unit based on the length of the supplied hoses.

1: This dimension indicates the space which is needed for hose output from the product, in order to bend them if necessary.

AS PER REGULATIONS AND FOR PROPER OPERATION, THE WALLS OUTSIDE OF THE REGRIGERATOR SHOULD BE SET AT THE FOLLOWING DISTANCES FROM THE INTERNAL WALLS OF THE UNIT: 20mm ON WALLS WHERE THE COMPRESSOR IS NOT PRESENT AND 50MM ON THE WALLS WHERE THE COMPRESSOR IS PRESENT. IF THESE RULES CANNOT COMPLIED WITH, THE MINIMUM DISTANCE MEASUREMENTS MUST BE 5mm AND THE MATERIALS WITH WHICH THE WALLS ARE MADE MUST BE EXPLOSION PROOF.

10 Warranty

The Indel Webasto Marine warranty complies with EU Directive 2019/771.

Validity period

The product warranty is valid for 2 years with regard to the cost of labour for repair or replacement, but only if carried out by IWM network, and therefore authorised, service centres.

For specific conditions of validity in the USA, please contact Indel Webasto Marine USA.

The validity period starts from:

- a) The date of sale indicated on the product invoice or sales receipt
- b) The date of the invoice or registration document of the first sale of the boat in which it is installed, if installed by the manufacturer of the vehicle
- c) In the absence of one of the above documents, the week of production indicated in the S/N (serial number)

Replacement of a product or component does not change the validity period.

The warranty covers:

- Replacement or repair of the product or of one or more components acknowledged to be faulty due to manufacturing defects.
- Breakage or malfunction of components under warranty validity despite proven proper installation and proper use.
- Labour and transport according to the operating methods described below.
- Costs for shipping the replacement product (not including charges for customs clearance).

The warranty does not cover defects, damage or malfunctions caused by:

- Negligence, neglect or improper use
- Incorrect installation or incautious handling
- Insufficient ventilation
- Incorrect electrical connection
- Undersized wiring
- Improper maintenance or maintenance performed by unauthorised personnel
- Failure to follow the instructions contained in this manual
- Transport damage
- Charges for customs clearance
- Items subject to wear
- Professional use
- Damage caused by weathering
- Costs for dismantling and/or re-mounting of furniture or other structures

Warranty

Essential information for determining whether the case is covered by the warranty:

- Product code (indicated on the product label)
- S/N (serial number) (indicated on the product label)
- Invoice or sales receipt (or possibly registration document, see above in Validity period section)
- Detailed description of the defect (Attach photos if possible)
- Description of installation with particular attention to ventilation and wiring (Attach photos if possible)

(If it is determined that the case is not covered under warranty, the customer must pay all expenses for repairs, replacements, labour, travel of persons and transport. IWM is not required to bear any expense.)

Operating procedures to be applied once it is ascertained that the case is covered by warranty:

Warranty repair of products installed in boats must be performed exclusively by service centres (CAT) that are part of the IWM network (see list at www.indelwebastomarine.com). IWM does not cover costs for service performed by others.

For products installed on boats, an IWM authorised CAT technician will come to the boat if it is located at a distance of maximum 100km from the CAT. IWM shall cover the cost of this transfer. If the boat is over 100km away, the customer can choose whether to pay the cost of the technician's transfer (in this case paying the technician directly), or to move the boat closer.

To locate the nearest service point and for travel coverage terms in the USA, please contact Indel Webasto Marine USA.

IWM does not reimburse any expense for spare parts purchased elsewhere.

Products installed on Recreational vehicles (RV):

Warranty repairs must be performed exclusively by service centres that are part of the Webasto network.

The vehicle must be brought to the service centre.

Find the service centre nearest to you at www.webasto.com

For the condition of products installed in recreational vehicles in the USA, please contact Indel Webasto Marine USA.

Manuale d'uso

Sommario

1 Manuale	34
1.1 Ambiente.....	35
1.2 Norme di Sicurezza	36
2 Istruzioni per l'Uso.....	40
2.1 Regolazione della Temperatura con Termostato	40
2.2 Consigli per l'Uso	41
3 Manutenzione	42
3.1 Sbrinatoria.....	42
3.2 Manutenzione Stagionale.....	42
3.3 Manutenzione per Lunghi Periodi di Inattività.....	43
4 Protezione per Bassa Tensione.....	43
5 Avvertenze Installazione	44
5.1 Installazione	46
5.2 Ventilazione.....	47
5.3 Collegamenti Elettrici.....	47
5.4 Dimensione dei Cavi Elettrici.....	48
5.5 Illuminazione Interna.....	48
6 Dati tecnici (configurazioni standard).....	49
7 Ricerca dei guasti.....	50
8 Led per Diagnostica	53
9 Dimensioni	54
10 Garanzia	55

1. Manuale

Il manuale contiene delle avvertenze per segnalare pericoli presenti per l'utilizzatore o particolari comportamenti da tenere; tali avvertimenti sono indicati come riportato di seguito:



ATTENZIONE!



Non avviare il prodotto prima di aver consultato questo manuale di istruzioni.

<p>Obbligo lettura istruzioni La presenza di questo simbolo richiede la lettura delle istruzioni prima di mettere in funzione il prodotto</p>	
<p>Obbligo sconnessione La presenza di questo simbolo richiede l'immediata sconnessione del prodotto dall'alimentazione principale in caso di guasti</p>	
<p>Obbligo guanti La presenza di questo simbolo richiede a ciascun operatore di indossare gli appositi guanti protettivi</p>	
<p>Obbligo scarpe La presenza di questo simbolo richiede a ciascun operatore di indossare delle scarpe atte a diminuire il rischio di infortuni</p>	
<p>Pericolo generico La presenza di questo simbolo richiede particolare attenzione da parte dell'operatore</p>	
<p>Pericolo di folgorazione La presenza di questo simbolo segnala al che l'operazione descritta potrebbe presentare il rischio di uno shock elettrico</p>	
<p>Pericolo luce ad alta intensità La presenza di questo simbolo segnala di prestare particolare attenzione alle luci luminose ad alta intensità, rischio per la vista.</p>	

Manuale d'uso



ATTENZIONE! Il manuale deve essere conservato per qualsiasi futura consultazione. E' opportuno:

- Conservare il manuale in un luogo accessibile protetto da umidità e calore e al riparo da raggi solari diretti;
- Impiegare il manuale in modo da non danneggiarne tutto o in parte il contenuto;
- Non asportare, strappare o modificare per alcun motivo parti del presente manuale.

Nonostante la cura e la completezza con le quali è stato redatto questo manuale, Indel Webasto Marine Srl non può garantire che le informazioni qui presenti coprano ogni possibile evento associato all'installazione del prodotto, in caso d'incertezza si consiglia di contattare immediatamente i nostri tecnici. Nel caso di vendita o trasferimento del prodotto ad altra persona, il presente manuale e i relativi allegati devono essere consegnati, integri, al nuovo utilizzatore.




ATTENZIONE! Il presente manuale si riferisce alla versione standard del prodotto. Macchine diverse dallo standard potrebbero avere piccole differenze non descritte nel presente manuale. Rivolgersi al costruttore in caso di dubbi.

1.1 Ambiente

Questo prodotto è conforme alla direttiva 2002/96/CE sui rifiuti di apparecchiature elettriche ed elettroniche (RAEE).

Il corretto smaltimento del prodotto è essenziale per prevenire potenziali conseguenze negative per l'ambiente e la salute.



Il simbolo  sul prodotto, imballaggio o relativa documentazione indica che il prodotto non deve essere smaltito fra i rifiuti domestici. Il prodotto deve essere consegnato ad un centro di raccolta autorizzato per il riciclaggio delle apparecchiature elettriche ed elettroniche. Smaltire sempre il prodotto nel rispetto delle disposizioni ambientali locali sullo smaltimento dei rifiuti.

Per maggiori informazioni su smaltimento, riciclaggio e riutilizzo del prodotto, rivolgersi alle autorità locali, al servizio di raccolta dei rifiuti locale o al rivenditore/distributore presso cui è stato acquistato il prodotto.

L'imballaggio è fabbricato in materiale riciclabile. Esso riporta il simbolo del



riciclaggio

e deve essere consegnato ad un centro di raccolta.



Il simbolo indica che il prodotto è conforme a tutte le disposizioni della comunità europea che prevedono il suo utilizzo.



ATTENZIONE! Questo prodotto contiene gas fluorurato ad effetto serra R134a all'interno di un sistema sigillato ermeticamente il cui funzionamento dipende dalla presenza di tale gas.



ATTENZIONE! Non aprire mai il circuito refrigerante, tranne per la normale connessione/disconnessione dei giunti rapidi (ove presenti). Il refrigerante R134a contenuto nel prodotto non è infiammabile in condizioni normali. Non rilasciare mai il refrigerante R134a nell'ambiente.

In caso di danneggiamento del circuito refrigerante contattare personale qualificato certificato per maneggiare gas fluorurati.

1.2 Norme di Sicurezza



ATTENZIONE! Indel Webasto Marine Srl declina ogni responsabilità per malfunzionamenti o danneggiamenti a persone o cose dovute all'utilizzo diverso della macchina o di materiali con caratteristiche diverse da quanto indicato nel presente manuale.

L'uso improprio o l'uso del prodotto in contrasto con quanto indicato in questo manuale non può dare luogo a contestazioni nei confronti del produttore e/o fornitore.

Manuale d'uso



ATTENZIONE! Il prodotto è adatto solamente per la conservazione e/o mantenimento di alimenti. I prodotti alimentari devono essere conservati nella confezione originale o in contenitori adeguati. Non consumare generi alimentari la cui data di conservazione sia scaduta, potrebbero causare intossicazione.



ATTENZIONE! Qualora si dovessero conservare medicinali all'interno del prodotto, controllare che esso disponga di una capacità di raffreddamento in grado di soddisfare i requisiti dei rispettivi farmaci.



ATTENZIONE! Lo scopo e la funzione del prodotto quando usato come freezer, è solo di mantenere congelati i prodotti alimentari già completamente congelati.

Il refrigeratore non congela i prodotti alimentari non congelati o parzialmente congelati. Qualora un prodotto alimentare non congelato o parzialmente congelato dovesse essere conservato nel freezer, questo è considerato uso improprio e può causare possibile scongelamento non intenzionale del prodotto alimentare che può portare a problemi di sicurezza, malattia o infortunio in caso di ingestione.

La conservazione di alimenti non congelati o parzialmente congelati nel congelatore può anche influenzare la qualità di altri prodotti alimentari surgelati conservati all'interno del congelatore.

Esposizione a temperature superiori al range di temperatura della classe climatica per cui il freezer è costruito, interruzioni di alimentazione elettrica e/o frequente apertura del congelatore, può influenzare l'efficacia del refrigeratore e la qualità del contenuto del freezer.

L'utente deve sempre controllare la qualità dei prodotti alimentari prima di ingerirli.



ATTENZIONE! Per periodi prolungati di inattività o in fase di sbrinamento,



rimuovere la lampada dove presente o scollegare tutte le alimentazioni. Lasciare lo sportello del prodotto leggermente aperto per arieggiare l'interno ed evitare la formazione di muffe.



ATTENZIONE! Eliminare tutte le fonti di calore e scintille dalle vicinanze del prodotto, estrarre la spina di alimentazione ed arieggiare bene il locale in caso di fuoriuscita di liquido refrigerante.



ATTENZIONE! Disconnettere immediatamente il prodotto dall'alimentazione principale in caso di guasti. Non toccare eventuali cavi elettrici danneggiati o non isolati quando è inserita l'alimentazione elettrica. L'osservazione vale in particolare quando il prodotto è connesso alla tensione di rete, 115V o 230V.

Se il cavo di alimentazione è danneggiato deve essere sostituito, contattare personale qualificato o il Centro Assistenza più vicino.



ATTENZIONE! Non conservare nel prodotto o nelle vicinanze delle sue parti elettriche: bombolette spray a base di sostanze infiammabili, materiali esplosivi, apparecchi elettrici, animali vivi.

Le bombolette spray contenenti sostanze infiammabili possono avere perdite di tali gas che a contatto con le parti elettriche possono infiammarsi o causare esplosioni.

Evitare fuochi o scintille all'interno del prodotto.

Evitare di utilizzare apparecchiature elettriche all'interno del prodotto.



ATTENZIONE! Il prodotto non può essere utilizzato da bambini con età inferiore agli 8 anni.

Il prodotto può essere utilizzato da bambini di età superiore a 8 anni e da persone con ridotte capacità fisiche, sensoriali o mentali, o prive di esperienza o della necessaria conoscenza, purché sotto sorveglianza oppure dopo che le stesse abbiano ricevuto istruzioni relative all'uso sicuro del prodotto e alla comprensione dei pericoli ad esso inerenti.

I bambini non devono giocare con il prodotto. La pulizia e la manutenzione destinata ad essere effettuata dall'utilizzatore non deve essere effettuata da bambini senza sorveglianza.

Manuale d'uso



ATTENZIONE! Non utilizzare spine o interruttori se avete mani o piedi bagnati.

2. Istruzioni per l'uso

La classe climatica è indicata sulla targhetta dati all'interno dell'apparecchio.

SN o classe temperata estesa (temperatura ambiente da 10°C a 32°C);

N o classe temperata (temperatura ambiente da 16°C a 32°C);

ST o classe subtropicale (temperatura ambiente da 16°C a 38°C);

T o classe tropicale (temperatura ambiente da 16°C a 43°C).

2.1 Regolazione della temperatura con termostato

La temperatura del prodotto si regola ruotando la manopola del termostato:

-Termostato A:

1 corrisponde alla temperatura interna più alta, 7 corrisponde alla temperatura interna più bassa.

-Termostato B:

I valori di temperatura indicati sulla manopola corrisponde alla temperatura media interna desiderata.

Si raccomanda di mantenere il prodotto a una temperatura di 5-6°C. La temperatura esterna influenza quella del prodotto, quindi può essere difficile mantenere la temperatura interna corretta se lo stesso è esposto a calore e luce solare diretta.

Manopola Termostato

A



B



Manuale d'uso

I modelli BI29, BI41 e BI92, chiamati “Dual” hanno il termostato B e possono essere usati sia come frigoriferi sia come freezer entro i seguenti range di temperature:

BI29 Dual da +10°C a -12°C

BI41 Dual da +10°C a -10°C

BI92 Dual da +10°C a -20°C.

2.2 Consigli per l'uso

- Se possibile, accendere il prodotto circa 6 ore prima di riporvi gli alimenti.
- L'apertura frequente del prodotto comporta un maggiore consumo elettrico.
- Una ventilazione adeguata del compressore e del condensatore riduce notevolmente il consumo elettrico.
- Non ostruire mai il sistema di ventilazione del prodotto.
- L'impianto elettrico deve essere in ottime condizioni, verificare regolarmente le batterie ed il loro livello di carica. Utilizzare sempre una batteria di avviamento separata dal motore.
- Mantenere sempre pulito e asciutto l'interno del prodotto. Rimuovere l'acqua di condensa dalla vaschetta di sgocciolamento sotto lo scomparto freezer del frigorifero, dove presente.
- Il prodotto è stato progettato con blocco di protezione del prodotto stesso nei casi di tensione batteria bassa. In caso di blocco del compressore seguire le indicazioni riportate nel presente manuale e/o contattare tecnici specializzati o centri di assistenza Indel Webasto Marine Srl.
- Il compressore può funzionare fino ad una inclinazione di 30°, mentre angoli superiori possono causare un danno permanente al compressore.

3. Manutenzione



ATTENZIONE! Eseguire le attività di manutenzione solo a prodotto spento e scollegato da fonti di alimentazione.

I prodotti Isotherm Built-In sono dotati di un impianto di raffreddamento stagno che non richiede manutenzione e rabbocco di refrigerante.

3.1 Sbrinatoria

Poiché l'evaporatore funziona a temperature inferiori al punto di congelamento, su di esso si formano ghiaccio e brina.

L'umidità dell'aria, la temperatura e il numero di aperture della porta influenzano notevolmente la formazione di brina.

Sbrinare sempre il prodotto quando lo strato di brina sull'evaporatore ha uno spessore di 3-4 mm o superiore.

Spegnere il prodotto ruotando la manopola del termostato.

Effettuare la sbrinatoria quando i prodotti possono rimanere il più possibile al fresco fuori dal prodotto stesso. Non utilizzare oggetti appuntiti per rimuovere il ghiaccio e la brina dall'evaporatore in quanto potrebbe danneggiarsi causando perdite di refrigerante.

Riacendere il prodotto solo dopo averlo sbrinato, pulito e asciugato con cura. Alcuni modelli sono dotati di un foro alla base della vasca interna per agevolare l'uscita della condensa. All'occorrenza, durante la sbrinatoria, sistemare un asciugamano alla base del prodotto per agevolare la raccolta dell'acqua.

3.2 Manutenzione stagionale

La manutenzione stagionale viene effettuata:

1° Con la pulizia del condensatore. In particolare è necessario spazzolare/aspirare tutta la polvere accumulata. Utilizzare una spazzola morbida ed un aspirapolvere.

2° Con la pulizia del vano interno. In particolare lavare con acqua tiepida e sapone neutro asciugando qualsiasi residuo di condensa/acqua.

Manuale d'uso

3.3 Manutenzione per lunghi periodi di inattività

In inverno il prodotto deve essere conservato all'interno del veicolo, poiché esso non funziona a temperature prossime a 0°C o inferiori. Allo spegnimento del prodotto per periodi prolungati è necessario attendere la completa sbrinatoria e rimuovere la condensa che si è formata. Per evitare danni al prodotto, ai componenti elettrici/meccanici e/o la formazione di muffe. Il tempo di sbrinatoria naturale può variare da pochi minuti a diverse ore. Quando il prodotto è spento tenere la porta in posizione di aerazione e **scollegare tutte le alimentazioni**.

4 Protezione per bassa tensione

Per evitare che le batterie si scarichino eccessivamente, una protezione spegne il compressore in caso di tensione insufficiente e lo riaccende solo quando la tensione nell'impianto aumenta in seguito alla ricarica delle batterie.

Tensione di sistema	Tensione di Spegnimento	Tensione Minima di Funzionamento
12V	9,6 (10,4) V	10,9 (11,7) V
24V	21,3 (22,8) V	22,7 (24,2) V

Se si rimuove il ponticello nell'elettronica fra C e P sono validi i valori indicati fra parentesi.



AVVERTENZE: Prima dell'accensione del prodotto verificare sempre che le batterie siano in condizioni ottimali.

5 Avvertenze Installazione



ATTENZIONE!



A garanzia di un funzionamento sicuro, installare ed allacciare il prodotto attenendosi alle indicazioni riportate nelle presenti istruzioni d'uso.



ATTENZIONE! Utilizzare sempre i DPI



(Dispositivi di Protezione Individuali) durante la movimentazione ed installazione del prodotto.



ATTENZIONE! Ogni modifica eseguita sul prodotto ad insaputa del fabbricante sarà di completa responsabilità di chi eseguirà tali alterazioni. Le modifiche eseguite senza l'autorizzazione da parte di Indel Webasto Marine Srl faranno decadere ogni forma di garanzia ed invalideranno la dichiarazione di conformità alle direttive applicabili.



ATTENZIONE! Prima di utilizzare il prodotto accertarsi che esso non presenti danni visibili sui componenti meccanici ed elettrici.



ATTENZIONE! Non danneggiare i tubi del circuito refrigerante, gli spruzzi di liquido refrigerante possono danneggiare la vista.



ATTENZIONE! In caso di danni al prodotto, informare immediatamente la ditta fornitrice prima di procedere all'allacciamento.



ATTENZIONE! Se il cavo di alimentazione è danneggiato deve essere sostituito dal produttore, dai Centri di Assistenza o da personale qualificato.



ATTENZIONE! Installare il prodotto in un luogo asciutto e al riparo da spruzzi

Manuale d'uso

d'acqua. Le parti elettriche NON devono essere esposte alla pioggia e/o a spruzzi d'acqua.



ATTENZIONE! Installare il prodotto lontano da bombole di gas o impianti GPL.



ATTENZIONE! Il prodotto deve essere installato in una zona accessibile per eventuali manutenzioni. Il vano di alloggiamento delle parti sotto tensione e del gruppo condensatore/compressore deve essere apribile solo volontariamente e non accessibile direttamente.



ATTENZIONE! La zona di installazione della parte compressore/condensatore deve per forza essere realizzata con un materiale resistente al test della fiamma con ago previsto dalla EN 603335-1 o distare più di 5 cm dalle parti elettriche e/o elettroniche.



ATTENZIONE! Se è presente un carica batterie, questo deve essere connesso alla batteria e mai direttamente al prodotto.



ATTENZIONE! Il prodotto deve essere protetto contro il contatto indiretto secondo la norma "Heavy Current Regulations".



ATTENZIONE! In caso di collegamento all'alimentazione da rete elettrica in corrente alternata, per evitare gravi lesioni personali, accertarsi che essa sia dotata di messa a terra e dotata di dispositivi di sezionamento (interruttori) che permettano il distacco totale di corrente del prodotto e di dispositivi di protezione che intervengano automaticamente in caso di guasto.



ATTENZIONE! Non toccare eventuali cavi elettrici danneggiati o non isolati quando è inserita l'alimentazione elettrica. L'osservazione vale in particolare quando

il prodotto è connesso alla tensione di rete 115Volt o 230Volt.

5.1 Installazione

I prodotti Isotherm sono progettati e realizzati per una installazione esclusivamente ad incasso.



ATTENZIONE! Il prodotto deve essere installato in posizione orizzontale, ed il compressore deve essere sempre installato con i piedini di gomma appoggiati in basso.

Il compressore può funzionare fino a un'inclinazione di 30°.



ATTENZIONE! Se l'inclinazione è superiore, il compressore può danneggiarsi.

In caso di compressore remotizzato, anch'esso deve essere installato con i suoi piedini in gomma appoggiati in basso.

Bloccare il prodotto in modo che non si ribalti/scivoli in caso di mare mosso o movimenti bruschi del veicolo. Provvedere all'ancoraggio del prodotto con almeno 2 punti di fissaggio, conformemente a quanto previsto dalla norma EN 60335-2-24.

I coperchi forniti con il prodotto (Fig. 3B) sono coibentati e corredati di apposite guarnizioni, in maniera da garantire il corretto funzionamento del prodotto ed il mantenimento di una corretta temperatura ma non sono rifiniti in superficie e sono sprovvisti di cerniere o maniglie.

Provvedere all'installazione di un rivestimento per coperchi (non fornito da Indel Webasto Marine Srl) come illustrato in (Fig. 3A) fissando eventuali cerniere e/o maniglie sul rivestimento.



ATTENZIONE! Assicurare la corretta chiusura del coperchio, controllare che la guarnizione sigilli bene il bauletto

Manuale d'uso

5.2 Ventilazione

Assicurare che il compressore/condensatore sia ben ventilato, in modo che l'aria fresca possa entrare dal basso e l'aria calda possa fuoriuscire dall'alto.

Le illustrazioni (Fig.1-2) mostrano un esempio di come deve essere predisposto l'alloggio del prodotto.

5.3 Collegamenti Elettrici

Per il collegamento all'impianto elettrico del veicolo, osservare quanto segue:

- Prima di collegare il prodotto alla rete di alimentazione elettrica assicurarsi che la tensione di rete corrisponda a quella indicata in targa.
- Collegare il prodotto direttamente alla batteria o al relativo interruttore principale ed assicurarsi che l'impianto sia dotato di dispositivo elettrico in grado di proteggere il circuito da sovracorrenti.

Se la tensione d'alimentazione è diversa da 12/24Vdc, installare un interruttore automatico differenziale ΔI 0,03A. Evitare il collegamento tramite il quadro elettrico del veicolo in quanto potrebbe causare cadute di tensione.

- Inserire a monte del prodotto un fusibile (vedi tabella sotto). Collegare il cavo rosso al polo positivo dell'impianto elettrico e quello nero al polo negativo. Utilizzare un tipo di capocorda pressato adatto alla dimensione del cavo.
- E' obbligatorio il montaggio di un interruttore separato a monte del prodotto che disconnetta contemporaneamente i cavi di alimentazione, controllare che supporti il carico indicato sotto in tabella.

Modelli	12Vdc	24Vdc
BI29Dual, BI36, BI40, BI41Dual, BI53F, BI75, BI92Dual	15A	7,5A



ATTENZIONE! Se è presente un carica batterie, questo deve essere connesso all'abatteria e mai direttamente al prodotto.

Tutti gli scheme elettrici sono consultabili alla fine del manuale.

5.4 Dimensioni dei cavi elettrici

Utilizzare sempre cavi con un'adeguata sezione. Di seguito una tabella con le sezioni minime:

Sezione mm ²	Sezione AWG	Lunghezza max cavo 12V mt/ft	Lunghezza max cavo 24V mt/ft
2.5	13	2.5/8	5/16
4	11	4/13	8/26
6	9	6/19	12/39
10	7	10/33	20/66

5.5 Illuminazione interna (solo nei modelli predisposti)

Per la sostituzione della lampadina LED, premere verso il basso il vetro del gruppo di illuminazione con l'apposita levetta. Sostituire la lampadina e risistemare il gruppo di illuminazione (Fig. 4-5).

Utilizzare solo ricambi originali Indel Webasto Marine Srl.

Manuale d'uso

6 Dati tecnici (configurazioni standard)

Tensione di esercizio: 12 o 24 Vdc

Il consumo medio riportato è stato misurato con temperatura interna di +5°C e temperatura esterna di 25°C come richiesto dallo standard ISO 15502:2005 ed EN 153:2006

Il consumo medio è influenzato notevolmente dal modo di utilizzo del prodotto e dal tipo di ventilazione.

Il tipo e la quantità di gas nell'impianto sono indicati sulla targhetta dati del prodotto.

I prodotti soddisfano la direttiva EMC vigente e sono dotati di marchio CE.

Modello	Consumo Istantaneo 12/24Vdc (Ampere)	Consumo Istantaneo 12/24Vdc (Watt)	Consumo Medio a 25°C (Wh/24h)
BI 29 Dual	6,0/3,0	72	250
BI 36	6,0/3,0	72	350
BI 40	6,0/3,0	72	270
BI 41 Dual	6,0/3,0	72	270
BI 53F	7,0/3,5	85	260
BI 75	6,0/3,0	72	340
BI 92 Dual	7,0/3,5	85	360

7 Ricerca dei guasti

Tutti gli interventi su parti elettriche o sui collegamenti elettrici e sul circuito refrigerante, devono essere effettuate da personale qualificato e autorizzato.



ATTENZIONE! Scollegare l'alimentazione elettrica prima di qualsiasi intervento su parti elettriche o sui collegamenti elettrici.

Difetto	Possibile causa	Intervento
Il prodotto non si raffredda, il compressore non si avvia.	Mancanza di alimentazione elettrica. Batteria in cattive condizioni. Termostato difettoso. Centralina elettronica difettosa.	Controllare che la centralina elettronica riceva alimentazione e tensione sufficiente, controllare il fusibile. Controllare se l'illuminazione interna funziona e il compressore riceve alimentazione. Controllare cavi, capicorda e connettori. Controllare che la batteria si ricarichi correttamente. Controllare il termostato: Ponticellare T - C con cavo separato. Se il compressore non si avvia, probabilmente è difettosa l'elettronica. Sostituirla. Se il compressore si avvia con il ponticello, è difettoso il termostato. Sostituire il termostato.
Il compressore compie solo brevi tentativi di avviamento.	Una tensione insufficiente o una caduta di tensione durante il tentativo di avviamento attiva la protezione. Batterie scariche.	Controllare cavi e collegamenti; rimuovere eventuali tracce di ossidazione o corrosione. Caricare le batterie, accendere il motore o collegare il caricabatterie.
Il compressore funziona ma non raffredda.	Perdite di refrigerante dall'evaporatore o dalla tubatura. Tubatura intasata.	Effettuare una prova perdite e riparare eventuali perdite, aspirare e rabboccare la quantità corretta di refrigerante. (Questo intervento deve essere effettuato da un tecnico.)
Il compressore funziona a lungo ma raffredda in modo insufficiente (efficienza ridotta).	Ventilazione insufficiente, surriscaldamento del condensatore. La ventola non funziona. Troppa brina sull'evaporatore. Lo sportello non si chiude correttamente, lascia entrare aria calda e umida. Condensatore ostruito dalla polvere	Aumentare la ventilazione. Sostituire la ventola. Sbrinare. Correggere la posizione dello sportello e controllarne la guarnizione. Pulire il condensatore.

Manuale d'uso

Il fusibile salta.	Fusibile errato. Centralina elettronica difettosa.	Controllare il fusibile: vedere tabella alla sezione 5.4. Sostituire la centralina elettronica.
Il compressore funziona ad intermittenza.	Batteria scarica o cavi elettrici in cattive condizioni.	Controllare lo stato del cablaggio, alla ricerca di connessioni lente, ruggine o verderame. Nel caso il cablaggio deve essere sostituito consultare il manuale per la dimensione corretta. Se il cablaggio è in buone condizioni verificare la funzionalità della batteria e nel caso sia in cattive condizioni sostituirla.
Il compressore non si ferma mai (performance del frigo corretta)	Collegamento termostato sbagliato sull'acentralina elettronica. Termostato rotto. Condensazione non funziona correttamente, evaporatore si raffredda ma non abbastanza per far sì che il termostato fermi il compressore.	Ruotare il termostato in posizione spento, se il frigorifero continua a funzionare, allora c'è continuità sulla centralina. Correggere il problema sui collegamenti del termostato (controllare sulla centralina elettronica se c'è il ponte sul C e P e non in C e T). Ruotare il termostato in posizione spento, se il compressore si spegne, ma è impossibile regolare la temperatura sostituire il termostato o ricaricare il sistema di raffreddamento.
Il compressore non si ferma mai (performance del frigo scarsa)	Ambiente molto caldo + ventilazione insufficiente o poco gas nel circuito refrigerante.	Controllare la ventilazione, il compressore deve essere installato in un luogo dove c'è una buona ventilazione. Se possibile rimuovere il frigorifero dal foro di installazione, se il frigorifero funziona meglio, migliorare la ventilazione consultando il manuale per la corretta installazione. Se la ventilazione risulta essere ottimale, controllare la presenza di gas nel sistema, contattando un tecnico specializzato.
Il vano congelatore è freddo ma il vano frigo no	Ventilazione insufficiente, poco gas nel circuito refrigerante, alimentazione elettrica non continua.	Controllare la ventilazione, il compressore deve essere installato in un luogo dove c'è una buona ventilazione. Se possibile rimuovere il frigorifero dal foro di installazione, se il frigorifero funziona meglio, migliorare la ventilazione consultando il manuale per la corretta installazione. Controllare le condizioni dei collegamenti elettrici e della batteria. Se la ventilazione risulta essere ottimale, controllare la presenza di gas nel sistema, contattando un tecnico specializzato.

Eccesso di ghiaccio sull'evaporatore.	Infiltrazioni di umidità nel prodotto.	Controllare le condizioni della guarnizione su tutti e quattro i lati della porta, la guarnizione deve chiudere perfettamente sul mobile. Se la formazione di ghiaccio è più spessa su un lato, molto probabilmente l'infiltrazione di umidità nel frigo deriva quel lato. Utilizzare una fonte moderata di calore per modellare la guarnizione nella sua posizione. Se è impossibile modellare la guarnizione sostituire l'intera porta.
Il frigorifero raffredda troppo.	La sonda del termostato è troppo coperta o posizionata male	La parte terminale della sonda deve essere in contatto con l'evaporatore, posizionare la sonda nella corretta posizione. Se il frigorifero continua a raffreddare troppo sostituire il termostato.
Il compressore è più rumoroso del normale.	Il compressore non'è fissato bene al suo supporto oppure stà toccando il muro/la parete.	Controllare che le viti del compressore sia ben serrate e che niente sia in contatto con esso. Il compressore vibra e se qualcosa è in contatto con esso le vibrazioni aumentano.
Ventola/e più rumorose del normale.	La struttura della ventola è piegata o la ventola è rotta.	Rimuovere le fascette/viti utilizzate per fissare la ventola. Se la ventola continua a fare rumore sostituirla. Verificare che ogni parte della ventola sia intatta, se manca una o più alette sostituire la ventola.
La luce interna non si accende.	Polarità invertita o lampadina rotta.	Controllare la polarità della lampadina. Se la polarità è corretta sostituire la lampadina.
Porta/Cassetto non chiude correttamente.	Posizione sbagliata delle cerniere o guarnizione deformata	Riposizionare le cerniere in modo che la porta si chiuda correttamente. Utilizzare una fonte moderata di calore per rimodellare la guarnizione. Se il problema persiste sostituire la porta. In caso di frigoriferi a cassetto, utilizzare le guide regolabili per riallineare la porta.

In caso di difetti più complessi che richiedono assistenza specializzata, rivolgersi alla Indel Webasto Marine o al distributore Isotherm locale.

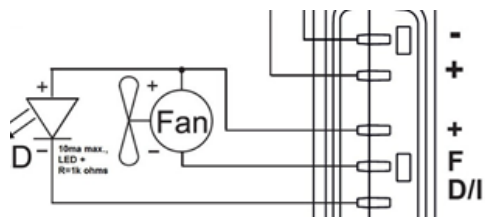
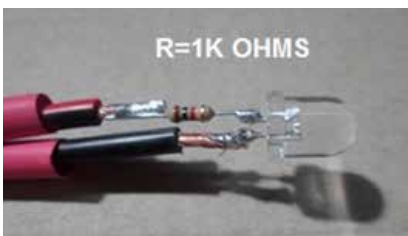
Manuale d'uso

8 LED per diagnostica

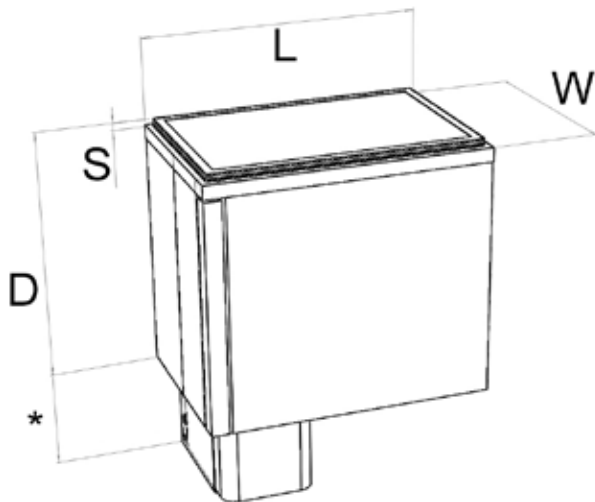
La centralina elettronica ha una funzione di ricerca errori quando un LED è collegato come mostrato di seguito.

Il numero di lampeggi indica il tipo di errore.

Numero Lampeggi del LED	Tipo di Errore	Soluzione
6	Sonda difettosa (la sonda è difettosa o non'è connessa).	Riconnettere la sonda e verificare che il compressore funzioni di nuovo. Se il compressore non funziona sostituire la sonda.
5	Protezione termica della centralina elettronica. (se il sistema refrigerante è stato caricato troppo o la temperatura ambiente è troppo alta la centralina elettronica si surriscalderà)	Rimuovere il gas in eccesso o aumentare la ventilazione.
4	Errore velocità minima del motore. (se il sistema refrigerante è stato caricato troppo il motore non riesce a mantenere la velocità minima di approssimativamente 1.850 RPM).	Rimuovere il gas in eccesso.
3	Errore di partenza del motore (il rotore è bloccato o la pressione dentro il circuito refrigerante è troppo alta (> 5 bar). Centralina elettronica difettosa.	La prima operazione è la sostituzione della centralina elettronica. Se il problema persiste sostituire il compressore.
2	Ventilatore in cortocircuito (la ventola assorbe più di 1A dalla centralina elettronica).	Sostituire la ventola.
1	Protezione batteria (il voltaggio è al di fuori dei voltaggi minimi e massimi).	Controllare le condizioni dei cavi di alimentazione. Se necessario sostituirli con cavi nuovi. Controllare la condizione della batteria.



9 Dimensioni



Modello	Larghezza (mm) [W]	Lunghezza (mm) [L]	Profondità (mm) [D]	Spessore Porta (mm) [S]	Cut-Out (mm) W:H	Bordo Superiore (mm) W:H	Tubi ¹	Note
BI 29 Dual	342	510+160*	330	35 inclusa	344:500	343:499	/	REM
BI 36	240	438	555+160*	35 inclusa	442:244	/	+25	REM
BI 40	395	400+160*	400	40 inclusa	399:399	415:415	+20	REM
BI 41 Dual	342	497	468+160*	14 inclusa	344:500	343:499	/	REM
BI 53F	425	645	470+160*	/	429:649	430:648	+15	REM
BI 75	425	645	470+160*	/	429:649	430:648	+15	REM
BI 92 Dual	480	801	455+160*	/	484:805	484:804	+25	REM

NOTE:

REM: Il prodotto è fornito con la possibilità di spostare il gruppo compressore in base alla lunghezza dei tubi forniti.

1: Questa quota indica lo spazio che serve per l'uscita dei tubi dal prodotto, per un eventuale piega degli stessi.

PER NORMATIVA E PER UN CORRETTO FUNZIONAMENTO SI CONSIGLIA CHE LE PARETI ESTERNE DEL FRIGO ABBIANO LE SEGUENTI DISTANZE DALLE PARETI INTERNE DEL MOBILE: 20mm SULLE PARETI DOVE NON E' PRESENTE IL COMPRESSORE E 50mm SULLE PARETI DOVE E' PRESENTE IL COMPRESSORE. SE NON SI HA POSSIBILITA' DI RISPETTARE QUESTE REGOLE, LE MISURE MINIME DI DISTANZA DEVONO ESSERE 5mm E IL MATERIALE CON CUI SONO REALIZZATE LE PARETI DEVE ESSERE ANTIDIFLAGRANTE

Garanzia

10 Garanzia

La garanzia di Indel Webasto Marine è conforme alla direttiva UE 2019/771.

Periodo di validità

La garanzia del prodotto ha una validità di 2 anni per quanto riguarda il costo di manodopera per interventi di riparazione o di sostituzione ma soltanto se effettuati da centri di assistenza della rete IWM e quindi autorizzati.

Per conoscere le condizioni specifiche di validità negli USA, contattare Indel Webasto Marine USA.

Il periodo di validità parte da:

- a) La data di vendita indicata nella fattura o lo scontrino di vendita del prodotto
- b) La data della fattura o del documento di immatricolazione della prima vendita della barca in cui è installata, se installato dal produttore del mezzo.
- c) In mancanza di uno dei documenti sopra indicati vale la settimana di produzione indicata nel S/N (numero di serie).

La sostituzione di un prodotto o componente non varia il periodo di validità.

La garanzia copre:

- Sostituzione o riparazione del prodotto o di uno o più componenti riconosciuti difettosi per vizi di fabbricazione.
- Rottura o disfunzioni di componenti entro la validità della garanzia nonostante provata corretta installazione e corretto utilizzo.
- Manodopera e spostamenti in base alle modalità operative sotto indicate.
- Costi per la spedizione del prodotto in sostituzione (escluso spese per sdoganamento)

La garanzia non copre difetti o danni o disfunzioni causati da:

- Negligenza o trascuratezza o uso improprio
- Errata installazione o movimentazione incauta
- Insufficiente ventilazione
- Errato collegamento elettrico
- Cablaggio sottodimensionato
- Errata manutenzione o manutenzione effettuato da personale non autorizzato
- Mancata osservanza di tutte le prescrizioni indicate nel presente manuale di Istruzioni
- Danni da trasporto
- Spese per sdoganamento
- Oggetti soggetti ad usura
- Utilizzo professionale

- Danni causati da agenti atmosferici
- Costi per smontaggio e/o rimontaggio di mobili o altre strutture

Informazioni indispensabili per stabilire se il caso è coperto dalla garanzia:

- Codice prodotto (indicato sull'etichetta posto sul prodotto)
- S/N (n° di serie) (indicato sull'etichetta posto sul prodotto)
- Fattura o ricevuta d'acquisto (oppure eventualmente documento di immatricolazione, vedi sopra nel capitolo Periodo di validità)
- Descrizione dettagliata del difetto. (Se possibile allegare foto)
- Descrizione dell'installazione con particolare attenzione alla ventilazione e al cablaggio. (Se possibile allegare foto)

(Se viene stabilito che il caso non sia coperto dalla garanzia il cliente deve pagare tutte le spese per eventuali riparazioni, sostituzioni, manodopera, spostamento di persone e trasporti. IWM non è tenuto a sostenere nessuna spesa.)

Modalità operative da applicare una volta accertato che il caso è coperto dalla garanzia:

Interventi in garanzia sui prodotti installati in imbarcazioni devono essere effettuati esclusivamente da centri di assistenza (CAT) della rete IWM (vedi elenco su www.indelwebastomarine.com) IWM non copre costi di interventi fatti da altri.

Per il prodotto installato in una barca, il tecnico del CAT autorizzato da IWM si reca sulla barca se questa si trova ad una distanza di al massimo 100km dal CAT. IWM copre il costo di tale spostamento. Se la barca si trova ad oltre 100 km, il cliente può scegliere se pagare il costo della trasferta del tecnico (in quel caso paga direttamente al tecnico), oppure avvicinare la barca.

Per localizzare il service più vicino e per i termini di copertura delle trasferte in USA, si prega di contattare Indel Webasto Marine USA

IWM non rimborsa nessuna spesa per ricambi acquistati altrove.

Prodotti installati in Veicoli Recreazionali(RV):

Interventi in garanzia devono essere effettuati esclusivamente da centri di assistenza della rete Webasto.

Il veicolo deve essere portato al centro di assistenza.

Trovate il centro di assistenza più vicina su www.webasto.com

Per le condizioni dei prodotti installati in veicoli recreazionali in USA, contattare Indel Webasto Marine USA.

Bedienungsanleitung

Inhaltsverzeichnis

1. Manuell	58
1.1 Umwelt.....	59
1.2 Sicherheitsvorschriften	60
2. Bedienungsanleitung	63
2.1 Temperatureinstellung mit Thermostat	63
2.2 Gebrauchsempfehlungen	64
3. Wartung	65
3.1 Abtauen.....	65
3.2 Saisonale Wartung.....	65
3.3 Wartung für lange Stillstandszeiten.....	66
4 Niederspannungsschutz.....	66
5 Hinweise zur Installation.....	67
5.1 Installation	69
5.2 Belüftung.....	70
5.3 Stromanschlüsse.....	70
5.4 Abmessungen der Stromkabel	71
5.5 Innenbeleuchtung (nur bei vordefinierten Modellen).....	71
6 Technische Daten (Standardkonfiguration).....	72
7 Fehlersuche	73
8 LED für die Diagnostik.....	76
9 Abmessungen	77
10 Garantie.....	78

1. Manuell

Die Anleitung enthält Warnhinweise zu vorhandenen Gefahren für den Anwender sowie zu besonderen Verhaltensweisen, die zu beachten sind; diese Hinweise sind wie folgt gekennzeichnet:



ACHTUNG!



Nehmen Sie das Produkt erst in Betrieb, nachdem Sie diese Anleitung gelesen haben.

<p>Lesen der Anleitungen Dieses Symbol fordert, vor Inbetriebnahme des Geräts die Anleitungen zu lesen</p>	
<p>Trennen der Stromversorgung Dieses Symbol fordert, das Gerät bei Defekten sofort von der Hauptstromleitung abzutrennen</p>	
<p>Tragen von Handschuhen Dieses Symbol fordert, dass jeder Monteur geeignete Schutzhandschuhe tragen muss</p>	
<p>Tragen von Sicherheitsschuhen Dieses Symbol fordert, dass jeder Monteur geeignete Sicherheitsschuhe gegen Unfälle tragen muss</p>	
<p>Allgemeine Gefahr Dieses Symbol fordert vom Monteur besondere Aufmerksamkeit</p>	
<p>Stromschlaggefahr Dieses Symbol weist darauf hin, dass mit der beschriebenen Arbeit die Gefahr eines Stromschlags verbunden ist</p>	
<p>Gefahr durch blendendes Licht Dieses Symbol weist darauf hin, bei starken Lichtern umsichtig vorzugehen, da die Sehkraft gefährdet werden könnte.</p>	

Bedienungsanleitung



ACHTUNG! Die Anleitung muss für künftiges Nachschlagen aufbewahrt werden. Deshalb:

- Bewahren Sie die Anleitung an einem zugänglichen Ort auf, der vor Feuchtigkeit, Wärme und direkter Sonneneinstrahlung geschützt ist.
- Das Handbuch so benutzen, dass es als Ganzes oder in Teilen nicht beschädigt werden kann.
- Teile dieses Handbuchs dürfen niemals entfernt, herausgerissen oder geändert werden.

Trotz der Sorgfalt und Vollständigkeit, unter denen dieses Handbuch erstellt wurde, kann Indel Webasto Marine Srl. nicht garantieren, dass die hier angegebenen Informationen alle denkbaren Ereignisse im Zusammenhang mit der Installation des Produkts abdecken. Bei Bedenken wenden Sie sich umgehend direkt an unsere Techniker. Bei Verkauf oder Überlassung des Geräts an eine andere Person müssen die vorliegende Anleitung und ihre Anhänge unversehrt dem neuen Anwender übergeben werden.




ACHTUNG! Dieses Handbuch bezieht sich auf die Standardversion des Produkts. Andere als die Standardmaschinen können kleine Unterschiede aufweisen, die in diesem Handbuch nicht beschrieben sind. Wenden Sie sich im Zweifelsfall an den Hersteller.

1.1 Umwelt

Dieses Gerät stimmt mit der Richtlinie 2002/96/EG über Elektro- und Elektronik-Altgeräte (WEEE) überein.

Die korrekte Entsorgung des Geräts ist eine wesentliche Voraussetzung zur Vermeidung von umwelt- und gesundheitsschädlichen Auswirkungen.



Das Symbol  auf dem Produkt, der Verpackung oder auf den beiliegenden Unterlagen weist darauf hin, dass das Gerät nicht mit dem gewöhnlichen Hausmüll entsorgt werden darf. Es muss an eine zugelassene Abfallsammelstelle zum Recycling von Elektro- und Elektronik-Altgeräten gebracht werden. Die Entsorgung des Geräts muss stets unter Beachtung der örtlichen Umweltschutz- und Abfallvorschriften erfolgen.

Nähere Angaben über Entsorgung, Recycling und Wiederverwendung des Produkts erhalten Sie bei den örtlichen Behörden, bei der lokalen Entsorgungsgesellschaft oder beim Händler/Vertreiber, bei dem Sie das Produkt erworben haben.

Die Verpackung besteht aus recyclebarem Material. Sie trägt das



Recyclingsymbol und muss zu einer Sammelstelle gebracht werden.



Das Symbol weist darauf hin, dass das Produkt mit allen Vorschriften der Europäischen Union übereinstimmt, die seine Verwendung vorsehen.



ACHTUNG! Dieses Produkt enthält in einem hermetisch verschlossenen System fluoriertes Treibhausgas R134a, das für den Betrieb des Geräts benötigt wird.



ACHTUNG! Den Kühlkreis niemals öffnen. Das Kältemittel R134a, mit dem das Produkt gefüllt ist, ist unter normalen Bedingungen nicht brennbar. Das Kältemittel R134a niemals in der Umwelt gelangen lassen.

Bei Schäden am Kühlkreis wenden Sie sich an qualifiziertes Personal, das für den Umgang mit fluorierten Gasen zertifiziert ist.

1.2 Sicherheitsvorschriften



ACHTUNG! Die Firma Indel Webasto Marine Srl haftet nicht Betriebsstörungen oder Personen- oder Sachschäden infolge einer Verwendung des Geräts oder von Materialien mit Eigenschaften, die von den Vorgaben in dieser Anleitung abweichen.

Aus einem falsche Gebrauch oder einem Gebrauch des Produktes, der in Widerspruch mit den Angaben dieses Handbuchs steht, sind keine Beschwerden dem Hersteller und/oder Händler gegenüber statthaft.



ACHTUNG! Das Produkt ist lediglich zur Konservierung/Aufbewahrung von Lebensmitteln geeignet. Lebensmittel müssen in ihrer Originalverpackung oder

Bedienungsanleitung

geeigneten Behältnissen aufbewahrt werden. Lebensmittel mit abgelaufenem Mindesthaltbarkeitsdatum nicht mehr verzehren, es drohen Vergiftungen.



ACHTUNG! Falls Arzneien im Produkt aufbewahrt werden sollen, ist zu prüfen, dass dies eine Kühlleistung erbringen kann, die die Anforderungen dieser Arzneimittel erfüllt.



ACHTUNG! Wenn das Produkt zum Gefrieren verwendet wird besteht sein Zweck und seine Aufgabe allein darin, bereits vollständig gefrorene Lebensmittel im Gefrierzustand zu halten.

Der Kühlschrank friert nicht oder nur teilweise gefrorene Lebensmittel nicht ein. Falls nicht oder nur teilweise gefrorene Lebensmittel im Gefrierfach aufbewahrt werden müssen, ist dies als nicht bestimmungsgemäßer Gebrauch anzusehen und kann zu einem ungewollten Auftauen der Lebensmittel führen, die die Sicherheit einschränken, Krankheiten und bei Einnahme Unfälle verursachen können.

Die Konservierung von nicht oder nur teilweise gefrorenen Lebensmitteln im Gefrierfach kann auch die Qualität anderer darin aufbewahrter gefrorener Lebensmittel beeinträchtigen.

Wird der Gefrierschrank Temperaturen ausgesetzt, die über dem Bereich seiner Klimaklasse liegen, bei Stromausfall und/oder häufigem Öffnen des Gefrierfachs kann die Leistung des Kühlschranks und die Qualität des Gefrierfachinhalts beeinträchtigt werden.

Der Benutzer muss stets die Qualität der Lebensmittel prüfen, bevor er sie zu sich nimmt.



ACHTUNG! Bei längerem Nichtgebrauch alle Versorgungsanschlüsse



trennen. Die Produkttür leicht geöffnet lassen, um den Innenraum zu belüften und die Bildung von Schimmelpilzen zu verhindern.



ACHTUNG! Wärme- und Funkenquellen aus dem Produktumfeld entfernen, den Stromstecker abziehen und im Falle eines Kältemittelsaustritts für eine gute Belüftung sorgen des Raumes sorgen.



ACHTUNG!



Bei Störungen muss das Produkt sofort von der Hauptversorgungsquelle getrennt werden. Eventuell beschädigte oder nicht isolierte Stromkabel nicht anfassen, wenn das Gerät an die Stromversorgung angeschlossen ist. Dies gilt vornehmlich, wenn das Produkt an Netzspannungen von 115V oder 230V angeschlossen ist.

Wenn das Stromkabel beschädigt ist, muss es ausgewechselt werden. Wenden Sie sich hierzu an Fachpersonal oder an den nächstliegenden Kundendienst.



ACHTUNG! Im Produkt oder in der Nähe seiner elektrischen Teile dürfen nicht aufbewahrt werden: Spray-Dosen mit entflammaren Stoffen, explosionsfähige Materialien, Elektrogeräte, lebende Tiere.

Spraydosen mit entflammaren Stoffen können diese Gase verlieren, die sich bei Kontakt mit den elektrischen Teilen entzünden und Explosionen verursachen können.

Feuer- und Funkenbildung im Produktinneren unbedingt vermeiden.

Im Kühlschrank dürfen keine elektrischen Geräte eingeschaltet werden.



ACHTUNG! Das Produkt darf nicht von Kindern unter 8 Jahren benutzt werden.

Das Produkt darf von Kindern über 8 Jahren und Personen mit physischen, sensorischen oder geistigen Einschränkungen sowie von Personen ohne Erfahrung oder notwendigen Kenntnissen benutzt werden, wenn sie unter Aufsicht stehen oder wenn sie in den sicheren Gebrauch des Geräts und den damit verbundenen Gefahren eingewiesen wurden.

Kinder dürfen nicht mit dem Produkt spielen. Die vom Benutzer vorzunehmende Reinigung und Instandhaltung darf nicht von unbeaufsichtigten Kindern ausgeführt werden.



ACHTUNG! Keine Stecker oder Schalter mit nasse Händen anfassen.

Bedienungsanleitung

2. Bedienungsanleitung

Die Klimaklasse ist auf dem Datenschild im Inneren des Geräts angegeben.

SN oder **erweiterte gemäßigte Klimaklasse** (Umgebungstemperatur 10°C bis 32°C);

N oder **gemäßigte Klimaklasse** (Umgebungstemperatur 16°C bis 32°C);

ST oder **subtropische Klimaklasse** (Umgebungstemperatur 16°C bis 38°C);

T oder **tropische Klimaklasse** (Umgebungstemperatur 16°C bis 43°C).

2.1 Temperatureinstellung mit Thermostat

Die Temperatur des Produkts kann durch Drehen des Thermostatknopfes eingestellt werden:

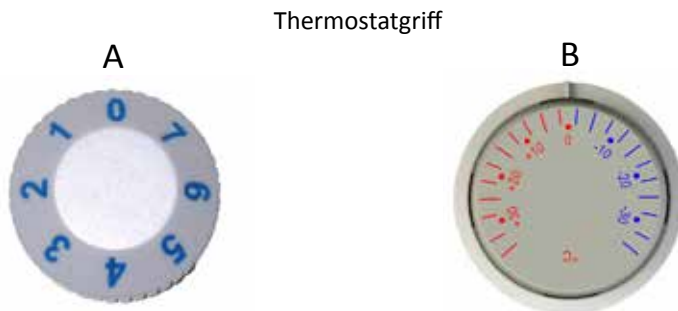
-Thermostat A:

1 entspricht der höchsten Innentemperatur, 7 entspricht der niedrigsten Innentemperatur.

-Thermostat B:

Die auf dem Knopf angegebenen Temperaturwerte entsprechen der gewünschten durchschnittlichen Innentemperatur.

Das Produkt sollte auf einer Temperatur von 5-6°C. gehalten werden. Die Außentemperatur beeinflusst die Betriebstemperatur des Produkts, folglich kann eine korrekte Innentemperatur nur schwerlich gewährleistet werden, wenn dieses Hitze und dem direkten Sonnenlicht ausgesetzt ist.



Die Modelle BI29, BI41 und BI92 werden „Dual“ genannt, haben ein Thermostat B und können innerhalb folgender Temperaturbereiche sowohl als Kühl- als auch als Gefrierschrank benutzt werden:

BI29 Dual von +10°C bis -12°C

BI41 Dual von +10°C bis -10°C

BI92 Dual von +10°C bis -20°C

2.2 Gebrauchsempfehlungen

- Das Produkt nach Möglichkeit bereits 6 Stunden vor dem Verstauen von Lebensmitteln einschalten.
- Ein häufiges Öffnen des Kühlschranks sorgt für einen höheren Stromverbrauch.
- Durch eine geeignete Belüftung von Kompressor und Verflüssiger wird der Stromverbrauch erheblich gesenkt.
- Das Belüftungssystem des Produkts niemals verstopfen.
- Die Elektroanlage muss sich in gutem Zustand befinden. Regelmäßig die Batterien und ihren Ladestand überprüfen. Stets eine Starterbatterie verwenden, die getrennt vom Motor ist.
- Das Produkt innen stets trocken und sauber halten. Kondenswasser aus dem Auffangbehälter unter dem Gefrierfach des Kühlschranks entfernen, falls vorhanden.
- Das Produkt ist mit einer automatischen Blockierung desselben zu seinem Schutz bei niedriger Batteriespannung ausgerüstet. Bei einer Blockierung des Verdichters strikt die Anweisungen der vorliegenden Anleitung befolgen und/oder an das Fachpersonal bzw. die Kundendienstzentren der Firma Indel Webasto Marine Srl wenden.
- Der Kompressor kann bis zu einer Neigung von 30° arbeiten, bei größeren Neigungen kann es zu einer dauerhaften Beschädigung des Kompressors kommen.

Bedienungsanleitung

3. Wartung



ACHTUNG! Führen Sie Wartungsarbeiten nur bei ausgeschaltetem und von der Stromversorgung getrenntem Produkt durch.

Die Isotherm Built-In Produkte sind mit einer dichten, wartungsfreien Kühlanlage ausgestattet, für die kein Kältemittel nachgefüllt werden muss.

3.1 Abtauen

Da der Verflüssiger auf Temperaturen unter dem Gefrierpunkt läuft, kommt es an ihm zur Bildung von Eis und Reif.

Die Luftfeuchtigkeit, die Temperatur und die Häufigkeit, mit der die Tür geöffnet wird, können die Eisbildung ganz erheblich beeinflussen.

Das Produkt abtauen, wenn die Eisschicht auf dem Verflüssiger eine 3-4 mm oder dickere Schicht gebildet hat.

Schalten Sie das Produkt durch Drehen des Thermostatknopfes aus.

Auftauen, wenn die Waren außerhalb des Produkts so kühl wie möglich bleiben kann. Zum Entfernen von Eis und Reif vom Verflüssiger niemals spitze Gegenstände verwenden, es kann zu Schäden mit Kältemittelverlust kommen.

Das abgetaute Produkt erst nach einer sorgfältigen Reinigung und Trocknung wieder einschalten. Einige Modelle sind mit einem Loch am Boden der internen Wanne versehen, um den Abfluss des Kondenswassers zu vereinfachen. Ggf. während des Abtauvorgangs unten im Produkt ein Handtuch ausbreiten, um das Auffangen des Wassers zu erleichtern.

3.2 Saisonale Wartung

Die saisonale Wartung wird wie folgt durchgeführt:

1. Mit der Reinigung des Verflüssigers. Insbesondere ist es notwendig, den gesamten angesammelten Staub zu bürsten/abzusaugen. Verwenden Sie dazu eine weiche Bürste oder einen Staubsauger.
2. Mit der Reinigung des Innenraums. Mit Neutralreiniger und lauwarmem Wasser innen reinigen, Kondenswasserrückstände/Feuchtigkeit gewissenhaft trocknen.

3.3 Wartung für lange Stillstandszeiten

Im Winter muss das Produkt im Inneren des Fahrzeugs aufbewahrt werden, wobei es bei Temperaturen um 0°C und darunter nicht läuft. Wenn das Produkt für längere Zeit ausgeschaltet wird, ist es notwendig, das vollständige Abtauen abzuwarten und das entstandene Kondenswasser zu entfernen. Um Schäden am Produkt, an elektrischen/mechanischen Komponenten und/oder Schimmelbildung zu vermeiden. Natürliche Abtauzeiten schwanken zwischen wenigen Minuten und mehreren Stunden. Bei ausgeschaltetem Produkt und im Winter die Tür stets offen lassen, um eine entsprechende Belüftung zu ermöglichen, und **alle Versorgungsanschlüssen trennen**.

4 Niederspannungsschutz

Um ein übermäßiges Entladen der Batterien zu verhindern, wird der Kompressor bei unzureichender Spannung ab- und erst wieder eingeschaltet, wenn die Anlagenspannung durch den Ladevorgang der Batterie wieder ansteigt.

Systemspannung	Abschaltspannung	Mindest-Betriebsspannung
12V	9,6 (10,4) V	10,9 (11,7) V
24V	21,3 (22,8) V	22,7 (24,2) V

Wird in der Elektronik die Brücke zwischen C und P entfernt, gelten die in Klammern angegebenen Werte.



HINWEIS: Vor dem Einschalten des Produkts sicherstellen, dass sie die Batterien in einwandfreiem Zustand befinden.

Bedienungsanleitung

5 Hinweise zur Installation



ACHTUNG!



Um einen sicheren Betrieb zu gewährleisten, müssen bei Installation und Anschluss des Produkts alle Angaben und Anleitungen dieses Handbuchs beachtet werden.



ACHTUNG! Bei der Bewegung und Installation des Produkts immer die PSA



(Persönliche Schutzausrüstung) benutzen.



ACHTUNG! Jede Änderung, die ohne Wissen des Herstellers am Produkt vorgenommen wird, unterliegt der alleinigen Verantwortung des Ausführenden. Änderungen, die ohne die Zustimmung durch die Firma Indel Webasto Marine Srl durchgeführt werden, führen zum Verfall aller Gewährleistungen. Zudem wird die Konformitätserklärung bezüglich der anwendbaren Richtlinien ungültig.



ACHTUNG! Vor dem Gebrauch des Produkts sicherstellen, dass an den mechanischen und elektrischen Komponenten keine sichtbaren Schäden vorhanden sind.



ACHTUNG! Die Kältemittelleitungen nicht beschädigen, da Spritzer des Kältemittels das Sehvermögen schädigen können.



ACHTUNG! Bei Produktschäden muss die Herstellerfirma vor dem Anschluss umgehend informiert werden.



ACHTUNG! Ein beschädigtes Versorgungskabel muss vom Hersteller, den Kundendienstzentren oder qualifizierten Fachpersonal ausgewechselt werden.



ACHTUNG! Installieren Sie das Produkt an einem trockenen, vor Spritzwasser geschützten Ort. Elektrobauteile dürfen KEINEM Regen und/oder Wasserspritzer ausgesetzt werden.



ACHTUNG! Das Produkt von Gasflaschen oder LPG-Anlagen entfernt installieren.



ACHTUNG! Das Produkt muss an einem Ort aufgestellt werden, der für eventuelle Wartungsarbeiten zugänglich ist. Das Fach, in dem die spannungsführenden Teile und die Gruppe Verflüssiger/Verdichter untergebracht werden, darf nur mit Absicht zu öffnen und nicht direkt zugänglich sein.



ACHTUNG! Der Installationsbereich des Kompressors/Verflüssigers muss gezwungenermaßen aus einem Material sein, das die von der EN 603335-1 vorgesehene Prüfung mit der Nadelflamme besteht oder sich über 5 cm von elektrischen bzw. elektronischen Teilen entfernt befindet.



ACHTUNG! Bei vorhandenem Akku-Ladegerät darauf achten, dass dies am Akku und niemals direkt am Produkt angeschlossen ist.



ACHTUNG! Das Produkt muss einen Schutz gegen indirekte Berührungen nach den "Heavy Current Regulations" aufweisen.



ACHTUNG! Bei einem Stromanschluss an das Wechselstromnetz ist zur Vermeidung von schweren Personenschäden sicherzustellen, dass diese geerdet und mit Trennvorrichtungen (Schaltern), die eine totale Unterbrechung des Strom vom Produkt ermöglichen, sowie mit Schutzschaltern versehen ist, die bei einem Schaden automatisch ausgelöst werden.



ACHTUNG! Eventuell beschädigte oder nicht isolierte Stromkabel nicht

Bedienungsanleitung

anfassen, wenn das Gerät an die Stromversorgung angeschlossen ist. Dies gilt vornehmlich, wenn das Produkt an Netzspannungen von 115Volt oder 230Volt angeschlossen ist.

5.1 Installation

Isotherm Produkte sind ausschließlich für die Einbaumontage bestimmt.



ACHTUNG! Das Produkt muss stets waagrecht und mit den Gummistützfüßen des Verdichters nach unten gerichtet aufgestellt werden.

Der Kompressor kann bis Neigungen von 30° betrieben werden.



ACHTUNG! Bei höheren Neigungen kann der Kompressor beschädigt werden.

Im Falle eines ferngesteuerten Verdichters muss dieser ebenfalls so installiert werden, dass seine Gummifüße auf dem Boden aufliegen.

Das Produkt so befestigen, dass er bei starkem Wellengang oder schroffen Bewegungen des Fahrzeugs nicht umkippen bzw. verrutschen kann. Das Produkt muss nach EN 60335-2-24 an mind. 2 Befestigungspunkten verankert werden.

Die mit dem Produkt gelieferten Deckel (Abb. 3B) sind isoliert und mit entsprechenden Dichtungen versehen, um den korrekten Betrieb des Geräts sicherzustellen und um eine korrekte Temperatur aufrechtzuerhalten. Seine Oberflächen sind aber nicht feinverarbeitet und haben keine Scharniere oder Griffe.

Bei der Installation eine Verkleidung für die Deckel anbringen (nicht im Lieferumfang von Indel Webasto Marine Srl enthalten), wie abgebildet (Abb. 3A), indem eventuelle Scharniere und/oder Griffe an der Verkleidung befestigt werden.



ACHTUNG! Sicherstellen, dass der Deckel richtig schließt und überprüfen, dass die Dichtung den Schrank gut abdichtet.

5.2 Belüftung

Stellen Sie sicher, dass der Verdichter/Verflüssiger gut belüftet ist, so dass Frischluft von unten eindringen und Warmluft von oben entweichen kann.

Die Abbildungen (Abb.1-2) zeigen ein Beispiel, wie der Einbau des Produkts vorbereitet werden muss.

5.3 Stromanschlüsse

Für den Anschluss an die Stromanlage des Fahrzeugs folgendermaßen vorgehen:

- Bevor Sie das Produkt an die Stromversorgung anschließen, stellen Sie sicher, dass die Netzspannung mit der auf dem Typenschild angegebenen übereinstimmt.
- Das Produkt direkt an die Batterie oder den entsprechenden Hauptschalter anschließen und sicherstellen, dass die Anlage mit einem geeigneten Überlastschutz ausgestattet ist.

Stimmt die Versorgungsspannung nicht mit der 12/24Vdc Spannung überein, muss ein automatischer Differentialschalter ΔI 0,03A installiert werden. Anschluss an den Schaltkasten des Fahrzeugs vermeiden, da es dadurch zu Spannungsunterbrechungen kommen könnte.

- Vor dem Produkt eine Sicherung einbauen (siehe Tabelle unten). Das rote Kabel an den Pluspol, das schwarze Kabel an den Minuspol der Anlage anschließen. Verwenden Sie einen für die Abmessungen des Kabels geeigneten Kabelschuh.
- Vor dem Produkt einen getrennten Schalter anbringen, der gleichzeitig für die Trennung der Versorgungskabel sorgt und der für die in nachstehender Tabelle aufgeführten Lasten geeignet ist:

Modelle	12Vdc	24Vdc
BI29Dual, BI36, BI40, BI41Dual, BI53F, BI75, BI92Dual	15A	7,5A



ACHTUNG! Bei vorhandenem Akku-Ladegerät darauf achten, dass dies am Akku und niemals direkt am Produkt angeschlossen ist.

Alle elektrischen Schaltpläne können am Ende des Handbuchs eingesehen werden.

Bedienungsanleitung

5.4 Abmessungen der Stromkabel

Verwenden Sie immer Kabel mit einem geeigneten Querschnitt. Nachstehend eine Tabelle mit den Mindestquerschnitten:

Querschnitt mm ²	Querschnitt AWG	Max. Kabellänge 12V m/ft	Max. Kabellänge 24V m/ft
2.5	13	2.5/8	5/16
4	11	4/13	8/26
6	9	6/19	12/39
10	7	10/33	20/66

5.5 Innenbeleuchtung (nur bei vordefinierten Modellen)

Die LED zum Auswechseln der Birne mit dem Hebel nach unten drücken. Die Birne auswechseln und Beleuchtungsgruppe wieder anbringen (Abb. 4-5).

Nur Originalersatzteil von Indel Webasto Marine Srl benutzen.

6 Technische Daten (Standardkonfiguration)

Betriebsspannung: 12 oder 24 Vdc

Der angegebene Durchschnittsverbrauch wurde bei einer Innentemperatur von +5°C und einer Außentemperatur von 25°C gemessen, gemäß ISO 15502:2005 und EN 153:2006 gefordert.

Der durchschnittliche Verbrauch wird wesentlich durch die Art der Verwendung des Produkts und die Art der Belüftung beeinflusst.

Art und Menge des im System befindlichen Gases sind auf dem Produktdatenschild angegeben.

Die Produkte entsprechen den Vorgaben der EMV-Richtlinie und tragen das CE-Zeichen.

Modell	Istverbrauch 12/24Vdc (Ampere)	Istverbrauch 12/24Vdc (Watt)	Durchschnitt. Verbrauch bei 25°C (Wh/24h)
BI 29 Dual	6,0/3,0	72	250
BI 36	6,0/3,0	72	350
BI 40	6,0/3,0	72	270
BI 41 Dual	6,0/3,0	72	270
BI 53F	7,0/3,5	85	260
BI 75	6,0/3,0	72	340
BI 92 Dual	7,0/3,5	85	360

Bedienungsanleitung

7 Fehlersuche

Alle Arbeiten an elektrischen Teilen oder an den elektrischen Anschlüssen und am Kühlkreis müssen von ausgebildetem und autorisiertem Personal vorgenommen werden.

Achtung: Die Stromversorgung unterbrechen, bevor Arbeiten an elektrischen Teilen oder an den Stromanschlüssen vorgenommen werden.

Störung	Mögliche Ursache	Maßnahme
Das Produkt kühlt nicht, der Verdichter startet nicht.	Keine Stromversorgung. Batterie in schlechtem Zustand. Defekter Thermostat. Defekte Steuerelektronik.	Überprüfen, ob die Steuerelektronik mit ausreichend Strom und Spannung versorgt wird, Sicherung kontrollieren. Überprüfen, ob die Innenbeleuchtung funktioniert und der Verdichter mit Strom versorgt wird. Kabel, Kabelschuhe und Verbinder kontrollieren. Überprüfen, ob das Batterieladegerät korrekt lädt. Thermostat überprüfen: Anschluss an T - C mit einem getrennten Kabel herstellen. Startet der Kompressor nicht, liegt es wahrscheinlich an einer Störung der Steuerelektronik. Auswechseln Startet der Kompressor mit der Überbrückung, ist der Thermostat defekt. Thermostat auswechseln.
Kompressor macht nur kurze Anlaufversuche.	Nicht ausreichende Spannung oder Spannungsabfall während des Anlaufversuchs löst die Schutzvorrichtung aus. Batterien leer.	Kabel und Anschlüsse überprüfen; etwaige Oxidations- und Korrosionsspuren entfernen. Batterien aufladen, Motor einschalten und Batterieladegerät anschließen.
Kompressor läuft, kühlt aber nicht.	Kältemittelverlust von Verflüssiger oder Leitung. Leitung verstopft.	Dichtungsprüfung ausführen und etwaige Leckagen abdichten, die korrekte Menge Kältemittel absaugen und auffüllen. (Diese Maßnahme muss von Fachpersonal ausgeführt werden)
Der Kompressor läuft lang, kühlt aber nicht ausreichend (reduzierte Leistung).	Nicht ausreichende Belüftung, Überhitzung des Verflüssigers. Gebläse funktioniert nicht. Zu dicke Eisschicht auf dem Verflüssiger. Tür schließt nicht richtig und lässt warme Luft einströmen. Verflüssiger von Staub verstopft	Gebläseleistung stärken. Gebläse auswechseln. Abtauen. Sitz der Tür und Dichtung überprüfen Verflüssiger reinigen.
Sicherung wird ausgelöst.	Falsche Sicherung. Defekte Steuerelektronik.	Die Sicherungen überprüfen: siehe Tabelle in Abschnitt 4.4. Steuerelektronik auswechseln.

<p>Der Verdichter läuft mit Unterbrechungen.</p>	<p>Batterie leer oder Elektrokabel in schlechtem Zustand.</p>	<p>Den Verkabelungszustand auf der Suche nach langsamen Anschlüssen, Rost oder Grünspan überprüfen. Falls Kabel ausgewechselt werden müssen, ist für die richtige Bemessung im Handbuch nachzusehen. Wenn sich die Verkabelung in gutem Zustand befindet, die Betriebstauglichkeit der Batterie überprüfen und sie auswechseln, wenn sie sich in schlechtem Zustand befindet.</p>
<p>Der Verdichter hält nie an (korrekte Leistung des Kühlschranks)</p>	<p>Falscher Anschluss des Temperaturreglers an der elektronische Steuereinheit. Temperaturregler defekt. Die Verflüssigung funktioniert nicht planmäßig. Der Verdampfer kühlt sich ab, aber nicht weit genug, damit der Temperaturregler den Verdichter anhält.</p>	<p>Den Temperaturregler auf Ausschaltung drehen. Wenn der Kühlschrank weiter läuft, liegt an der Steuereinheit ein Stromdurchgang vor. Das Problem an den Anschlüssen des Temperaturreglers korrigieren (an der elektronischen Steuereinheit prüfen, ob die Überbrückung an C und P vorhanden ist und nicht an C und T). Den Temperaturregler auf Ausschaltung drehen. Wenn der Verdichter sich ausschaltet, aber die Temperatur nicht eingestellt werden kann, den Temperaturregler auswechseln oder das Kühlsystem neu laden.</p>
<p>Der Verdichter hält nie an (mangelhafte Leistung des Kühlschranks)</p>	<p>Sehr warme Umgebung + unzureichende Belüftung oder wenig Gas im Kühlkreis.</p>	<p>Die Belüftung überprüfen. Der Verdichter muss an einem Ort montiert sein, an dem eine gute Belüftung herrscht. Sofern möglich, den Kühlschrank aus dem Installationsfach entfernen. Wenn der Kühlschrank besser funktioniert, die Belüftung verbessern, indem im nach der korrekte Installation nachgesehen wird. Wenn die Belüftung optimal ist, durch einen spezialisierten Techniker prüfen lassen, ob sich Gas im System befindet.</p>
<p>Das Gefrierfach ist kalt, aber der Kühlfach nicht</p>	<p>Unzureichende Belüftung, wenig Gas im Kühlkreis, Stromversorgung mit Unterbrechungen.</p>	<p>Die Belüftung überprüfen. Der Verdichter muss an einem Ort montiert sein, an dem eine gute Belüftung herrscht. Sofern möglich, den Kühlschrank aus dem Installationsfach entfernen. Wenn der Kühlschrank besser funktioniert, die Belüftung verbessern, indem im nach der korrekte Installation nachgesehen wird. Den Zustand der Elektroanschlüsse und der Batterie überprüfen. Wenn die Belüftung optimal ist, durch einen spezialisierten Techniker prüfen lassen, ob sich Gas im System befindet.</p>

Übermäßige Eisbildung am Verdampfer.	Eindringen von Feuchtigkeit in das Produkt	Den Zustand der Dichtungen an allen vier Seiten der Tür überprüfen. Die Dichtung muss perfekt am Möbelstück abdichten. Wenn die Eisbildung an einer Seite dicker ist, erfolgt wahrscheinlich der Eintritt von Feuchtigkeit von dieser Seite aus. Eine mäßige Wärmequelle benutzen, um die Dichtung in ihre Stellung zu formen. Wenn die Dichtung nicht geformt werden kann, ist die gesamte Tür auszuwechseln.
Der Kühlschrank kühlt zu stark.	Der Temperaturregler ist zu sehr abgedeckt oder schlecht angebracht.	Das Endteil der Sonde muss in Berührung mit dem Verdampfer stehen. Die Sonde in die richtige Stellung bringen. Wenn der Kühlschrank weiterhin zu stark kühlt, den Temperaturregler auswechseln.
Der Verdichter ist lauter als gewöhnlich.	Der Verdichter ist nicht gut an seiner Halterung befestigt oder berührt die Mauer/die Wand.	Überprüfen, dass die Schrauben des Verdichters gut angezogen sind und dass sie nirgends Kontakt haben. Der Verdichter vibriert und wenn etwas er Kontakt zu einem Gegenstand hat, erhöhen sich die Vibrationen.
Das Gebläse ist lauter als gewöhnlich.	Die Gebläsestruktur ist gebogen oder das Gebläse ist defekt.	Die Schellen/Schrauben, die zur Befestigung des Gebläses benutzt werden, sind zu entfernen. Wenn das Gebläse weiterhin Geräusche von sich gibt, ist es auszuwechseln. Überprüfen, dass alle Teile des Gebläses vollständig sind. Wenn eine oder mehrere Schaufeln fehlen, das Gebläse auswechseln.
Das Licht schaltet sich nicht ein.	Umgekehrte Polarität oder Birne defekt.	Die Polarität der Birne überprüfen. Wenn die Polarität richtig ist, die Birne auswechseln.
Die Tür/ das Fach schließt nicht richtig.	Die Scharniere sind falsch angebracht oder die Dichtung hat sich verformt.	Die Scharniere so anbringen, dass die Tür richtig schließt. Eine mäßige Wärmequelle benutzen, um die Dichtung wieder zu formen. Sollte das Problem weiterhin bestehen, die Tür auswechseln! Bei Kühlschränken mit Fächern, die regulierbaren Schienen benutzen, um die Tür auszurichten.

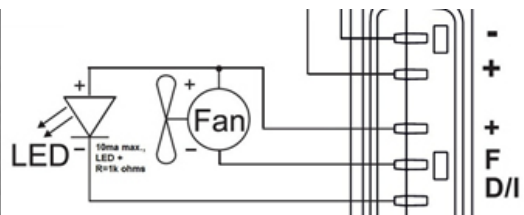
Bei komplexeren Störungen, die Fachassistenz erfordern, wenden Sie sich an Indel Webasto Marine oder an Ihren örtlichen Isotherm Händler.

8 LED für die Diagnostik

Die elektronische Steuereinheit hat eine Fehlersuchfunktion, wenn eine LED angeschossen ist, wie nachfolgend gezeigt.

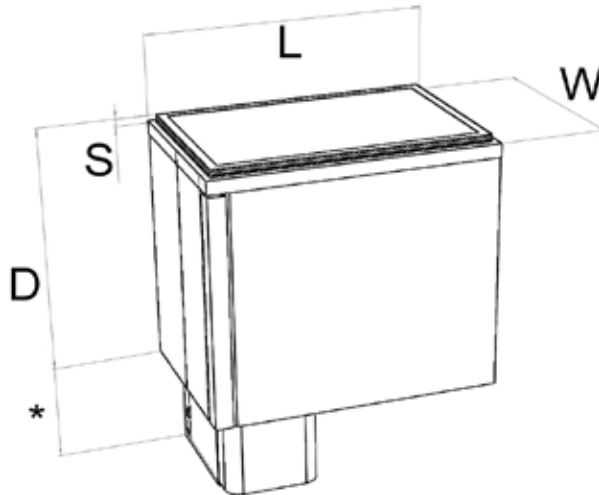
Die Zahl der Blinkleuchten gibt den Fehlercode an.

Anzahl der LED-Leuchten	Fehlerart	Behebung
6	Sonde defekt (die Sonde ist defekt oder nicht angeschlossen).	Die Sonde wieder anschließen und überprüfen, dass der Verdichter wieder funktioniert. Wenn der Verdichter nicht funktioniert, die Sonde austauschen.
5	Schutzschalter der elektronischen Steuereinheit. (wenn das Kühlsystem zu sehr belastet wurde oder die Umgebungstemperatur zu hoch ist, erhitzt sich die elektronische Steuereinheit)	Übermäßiges Gas entfernen oder die Belüftung erhöhen.
4	Falsche Mindestdrehzahl des Motors. (wenn das Kühlssystem zu sehr balstet ist, kann der Motor die Mindestdrehzahl von ungefähr 1850 U/min nicht aufrechterhalten).	Übermäßiges Gas entfernen.
3	Fehler beim Motorstart (der Rotor ist blockiert oder der Druck im Kühlsystem ist zu hoch (> 5 bar). Defekte Steuerelektronik.	Zuerst ist die elektronische Steuereinheit auszuwechseln. Sollte das Problem weiterhin bestehen, den Verdichter austauschen.
2	Gebläse in Kurzschluss (das Gebläse nimmt über 1 A von der elektronischen Steuereinheit auf).	Gebläse austauschen.
1	Batterieschutz (die Spannung liegt außerhalb der Mindest- und Höchstspannungswerte).	Den Zustand der Stromkabel überprüfen. Sie nötigenfalls mit neuen Kabeln austauschen. Den Zustand der Batterie überprüfen.



Bedienungsanleitung

9 Abmessungen



Modell	Breite (mm) [W]	Länge (mm) [L]	Tiefe (mm) [D]	Türdicke (mm) [S]	Cut-Out (mm) W:H	Oberer Rand (mm) W:H	Leitungen ¹	Hinweis
BI 29 Dual	342	510+160*	330	35 inbegriffen	344:500	343:499	/	REM
BI 36	240	438	555+160*	35 inbegriffen	442:244	/	+25	REM
BI 40	395	400+160*	400	40 inbegriffen	399:399	415:415	+20	REM
BI 41 Dual	342	497	468+160*	14 inbegriffen	344:500	343:499	/	REM
BI 53F	425	645	470+160*	/	429:649	430:648	+15	REM
BI 75	425	645	470+160*	/	429:649	430:648	+15	REM
BI 92 Dual	480	801	455+160*	/	484:805	484:804	+25	REM

HINWEISE:

REM: Das Produkt wird so geliefert, dass die Kompressorgruppe je nach Länge der gelieferten Leitungen verschoben werden kann.

1: Dieses Maß gibt den Zwischenraum an, der zum Ausgang der Leitungen aus dem Produkt dient, um es eventuelle biegen zu können.

FÜR EINEN KORREKTEN UND NORMGERECHTEN BETRIEB WIRD EMPFOHLEN, DASS DIE AUSSENWÄNDE DES KÜHLSCHRANKS FOLGENDE ABSTÄNDE ZU DEN INNENWÄNDEN DES MÖBELSTÜCKS EINGEHALTEN WERDEN: 20mm ZU DEN WÄNDEN, AN DENEN SICH KEIN KOMPRESSOR BEFINDET UND 50mm ZU DEN WÄNDEN; AN DENEN SICH DER KOMPRESSOR BEFINDET. KÖNNEN DIESE VORGABEN NICHT EINGEHALTEN WERDEN, MÜSSEN DIE MINDESTABSTÄNDE 5mm BETRAGEN, DIE WÄNDE MÜSSEN AUS EXPLOSIONSFESTEM MATERIAL SEIN

10 Garantie

Die Garantie von Indel Webasto Marine entspricht der Richtlinie UE 2019/771.

Gültigkeitsdauer

Die Garantie des Produkts ist für 2 Jahre gültig, was die Arbeitskosten für Arbeiten zur Reparatur oder Auswechslung betrifft. die gilt jedoch nur, wenn diese von Kundendienstzentren des IWM, also zugelassenen Zentren, durchgeführt werden.

Für spezielle Gültigkeitsbedingungen in den USA wenden Sie sich bitte an Indel Webasto Marine USA.

Die Gültigkeitsdauer beginnt ab:

- a) Dem Verkaufsdatum, das auf der Rechnung oder dem Kassenbon des Produktes angegeben ist.
- b) Dem Datum der Rechnung oder des Registrierdokuments bei Erstverkauf des Boots, in dem er montiert ist, sofern durch den Hersteller des Boots installiert.
- c) Wenn keines der genannten Unterlagen zur Verfügung steht, die Produktionswoche, die in der S/N (Seriennummer) angegeben ist.

Der Austausch eines Produkts oder eines Bauteils ändert nicht die Gültigkeitsdauer.

Die Garantie deckt Folgendes ab:

- Auswechslung oder Reparatur des Produktes oder eines oder mehrerer Bauteile, auf Grund von anerkannten Werksfehlern.
- Schaden oder Störungen der Bauteile in der Gültigkeitsdauer der Garantie trotz nachgewiesener korrekter Installation und Gebrauch.
- Arbeitskraft und Reisen durch die unten angeführten Betriebsweisen.
- Kosten für den Versand des auszuwechselnden Produkts (ausgenommen Zollgebühren)

Die Garantie deckt nicht Defekte oder Schäden durch:

- Unachtsamkeit oder Nachlässigkeit oder Falschanwendung
- Falsche Installation oder unvorsichtiges Bewegen
- Unzureichende Belüftung
- Falscher Stromanschluss
- Unterbemessene Verkabelung
- Falsche Wartung oder von nicht autorisiertem Personal durchgeführte Wartung
- Unterlassenen Beachtung aller im Betriebshandbuch gegebener Anweisungen
- Transportschäden
- Zollgebühren
- Verschleißteile, Schmelzsicherungen usw.
- Gewerbsmäßiger Gebrauch

Garantie

- Schäden durch Witterungseinflüsse
- Kosten für die Demontage und / oder Wiederausstellung von Möbeln oder anderen Konstruktionen

Unumgängliche Informationen zur Festlegung, ob eine Garantiedeckung vorliegt:

- Produktcode (am Typenschild des Produkts angegeben)
- Seriennummer S/N (am Typenschild des Produkts angegeben)
- Rechnung oder Kaufbeleg (oder eventuell Zulassungsunterlagen, siehe oben in Kapitel Gültigkeitsdauer)
- Genaue Beschreibung des Defekts. (Falls möglich Foto beifügen)
- Beschreibung der Installation besonders hinsichtlich der Belüftung und Verkabelung. (Falls möglich Foto beifügen)

(Wenn festgelegt wird, dass der Fall nicht durch die Garantie gedeckt ist, muss der Kunde alle Kosten für eventuelle Reparaturen, Auswechselungen, Arbeitskraft, Reisen von Personen und Transporte bezahlen. IWM ist nicht verpflichtet, irgendwelche Kosten zu tragen.)

Anzuwendende Nutzungsarten, nachdem der Fall als in die Garantie fallend anerkannt ist:

Arbeiten in Gewährleistung an Produkten, die in Booten installiert sind, dürfen ausschließlich von Kundendienstzentren (CAT) des IWM-Netzwerks ausgeführt werden (siehe Liste auf www.indelwebastomarine.com). IWM kommt für Arbeitskosten Dritter nicht auf.

Für ein auf einem Boot installiertes Produkt begibt sich der von IWM zugelassene Techniker zum Boot, wenn dieses sich innerhalb einer Reichweite von 100 km vom CAT befindet. IWM kommt für die Reisekosten auf. Wenn das Boot sich über 100 km Entfernung befindet, kann der Kunde wählen, ob er die Reisekosten des Technikers (in diesem Fall direkt an ihn zu bezahlen) übernehmen, oder er das Boot heranzufahren will. Um den nächstgelegenen Service zu finden und um die Bedingungen für die Reiseversicherung in den USA zu erfahren, wenden Sie sich bitte an Indel Webasto Marine USA. IWM übernimmt keine Kosten für Ersatzteile, die andersorts erworben wurden.

In Freizeitfahrzeugen installierte Produkte:

Garantieleistungen dürfen ausschließlich von technischen Kundendienstzentren des Netzwerks von Webasto vorgenommen werden.

Das Fahrzeug muss zum Kundendienstzentrum gebracht werden.

Ein Assistenzzentrum in Ihrer Nähe finden Sie auf www.webasto.com

Für die Bedingungen von Produkten, die in Freizeitfahrzeugen in den USA installiert sind, wenden Sie sich bitte an Indel Webasto Marine USA.

Manuel d'utilisation

Sommaire

1. Manuel.....	82
1.1 Environnement	83
1.2 Normes de sécurité.....	84
2. Instructions pour l'utilisation	87
2.1 Réglage de la température avec thermostat	87
2.2 Conseils pour l'utilisation.....	88
3. Entretien	89
3.1 Dégivrage	89
3.2 Entretien saisonnier.....	89
3.3 Entretien pour les longues périodes d'inactivité.....	90
4 Protection pour basse tension	90
5 Avertissements Installation.....	91
5.1 Installation	93
5.2 Ventilation.....	94
5.3 Raccordements électriques.....	94
5.4 Dimensions des câbles électriques.....	95
5.5 Éclairage interne (seulement pour les modèles prévus).....	95
6 Données techniques (configurations standards).....	96
7 Recherche des pannes	97
8 LEDS pour diagnostic	100
9 Dimensions.....	101
10 Garantie.....	102

1. Manuel








Le manuel contient des avertissements pour signaler les dangers présents pour l'utilisateur ou des comportements particuliers à adopter ; ces avertissements sont indiqués de la sorte :



ATTENTION !



Ne pas démarrer l'équipement avant d'avoir consulté ce manuel d'instructions.

<p>Obligation de lire les instructions La présence de ce symbole demande de lire les instructions avant de mettre en marche le produit.</p>	
<p>Obligation de débranchement La présence de ce symbole demande le débranchement immédiat du produit de l'alimentation principale en cas de pannes</p>	
<p>Port de gants obligatoire La présence de ce symbole nécessite que chaque opérateur porte des gants de protections spécifiques.</p>	
<p>Port de chaussures obligatoire La présence de ce symbole nécessite que chaque opérateur porte des chaussures en mesure de réduire le risque d'incident.</p>	
<p>Danger général La présence de ce symbole nécessite une attention particulière de la part de l'opérateur.</p>	
<p>Danger d'électrocution La présence de ce symbole signale au personnel concerné que l'opération décrite pourrait présenter un danger d'électrocution.</p>	
<p>Danger lumière haute intensité La présence de ce symbole signale de faire particulièrement attention aux lumières lumineuses à haute intensité, danger pour la vue.</p>	

Manuel d'utilisation



ATTENTION ! Le manuel doit être conservé pour toute consultation future. Il est conseillé :

- Conserver le manuel dans un lieu accessible, à l'abri de l'humidité, de la chaleur et des rayons du soleil directs ;
- Utiliser le manuel de sorte à ne pas endommager l'ensemble ou une partie du contenu ;
- Ne pas exporter, déchirer ou modifier pour aucune raison que ce soit des parties de ce manuel.

Malgré le soin et l'exhaustivité avec lesquels ce manuel a été rédigé, Indel Webasto Marine Srl ne peut pas garantir que les informations présentes traitent de chaque événement possible associé à l'installation du produit, en cas d'incertitude, il est conseillé de contacter directement nos techniciens. En cas de vente ou de transfert du produit à une autre personne, ce manuel et les annexes correspondantes doivent être livrés, dans leur intégralité, au nouvel utilisateur.




ATTENTION ! Ce manuel se réfère à la version standard du produit. Des machines différentes du modèle standard pourrait présenter de petites différences non décrites dans ce manuel. Contacter le fabricant en cas de doutes.

1.1 Environnement

Ce produit est conforme à la directive 2002/96/CE relative aux déchets d'équipements électriques et électroniques (RAEE).

Son élimination conforme est essentielle pour prévenir des conséquences négatives potentielles sur l'environnement et la santé.



Le symbole  sur le produit, emballage ou document relatif indique que le produit ne doit pas être jeté parmi les déchets domestiques. Le produit doit être livré à un centre de tri autorisé pour le recyclage des appareils électriques et électroniques. Toujours éliminer le produit conformément aux normes environnementales locales sur l'élimination des déchets.

Pour plus d'informations sur l'élimination, le recyclage et la réutilisation du produit, contacter les autorités locales, l'organisme local chargé de la collecte des déchets ou le revendeur/distributeur où le produit a été acheté.

L'emballage est en matériel recyclable. Il porte le symbole de recyclage



et doit être livré à un centre de tri.



Le symbole CE indique que le produit est conforme à toutes les dispositions de la communauté européenne qui prévoient son utilisation.



ATTENTION ! Ce produit contient du gaz fluoré à effet de serre R134a à l'intérieur d'un système scellé hermétiquement dont le fonctionnement dépend de la présence de ce gaz.



ATTENTION ! Ne jamais ouvrir le circuit réfrigérant. Le réfrigérant R134a contenu dans le produit n'est pas inflammable dans les conditions normales. Ne jamais libérer le réfrigérant R134a dans l'environnement.

En cas d'endommagement du circuit frigorifique contacter le personnel qualifié certifié pour manipuler des gaz fluorés.

1.2 Normes de sécurité



ATTENTION ! Indel Webasto Marine Srl décline toute responsabilité pour des dysfonctionnements ou endommagements aux personnes ou aux biens dus à une utilisation différente de la machine ou de matériaux ayant des caractéristiques différentes que celles indiquées dans ce manuel.

Une mauvaise utilisation du produit non conforme aux indications de ce manuel ne peut donner lieu à des contestations envers le fabricant et/ou fournisseur.

Manuel d'utilisation



ATTENTION ! Le produit est indiqué uniquement pour la conservation et /ou le maintien des aliments. Les produits alimentaires doivent être conservés dans l'emballage d'origine ou dans des conteneurs appropriés. Ne pas consommer de denrées alimentaires dont la date de conservation est périmée, car ils pourraient provoquer des intoxications.



ATTENTION ! Si l'on conserve des médicaments à l'intérieur du produit, contrôler que ce dernier dispose d'une capacité de refroidissement en mesure de satisfaire les conditions requises des médicaments respectifs.



ATTENTION ! Le but et la fonction du produit utilisé comme freezer est seulement de maintenir congelés les produits alimentaires déjà complètement congelés.

Le réfrigérateur ne congèle pas les produits alimentaires non congelés ou partiellement congelés. Si un produit alimentaire non congelé ou partiellement congelé doit être conservé dans le freezer, c'est considéré comme une utilisation incorrecte et peut causer une décongélation possible non intentionnelle du produit alimentaire qui peut provoquer des problèmes liés à la sécurité, maladie ou accident en cas d'ingestion.

La conservation d'aliments non congelés ou partiellement congelés dans le congélateur peut aussi influencer la qualité d'autres produits alimentaires surgelés conservés à l'intérieur du congélateur.

Une exposition à des températures supérieures à la plage de température de la classe climatique pour laquelle le freezer a été conçu, des coupures de courant électrique et/ou une ouverture fréquente du congélateur peut influencer l'efficacité du réfrigérateur et la qualité du contenu du freezer.

L'utilisateur doit toujours contrôler la qualité des produits alimentaires avant de les ingérer.



ATTENTION ! Pendant les périodes prolongées d'inactivité, débrancher toutes les alimentations. Laisser la porte du produit légèrement ouverte pour aérer à l'intérieur et éviter la formation de moisissures.



ATTENTION ! Éliminer toutes les sources de chaleur et d'étincelles à proximité du produit, extraire la fiche d'alimentation et bien aérer le local en cas de

fuite du liquide réfrigérant.



ATTENTION !



Débrancher immédiatement le produit de l'alimentation principale en cas de pannes. Ne pas toucher les éventuels câbles électriques endommagés ou qui ne sont pas isolés, quand l'alimentation électrique est branchée. Ceci vaut notamment quand le produit est branché à la tension du réseau, 115 V ou 230 V.

Si le câble d'alimentation est endommagé, il doit être remplacé, contacter le personnel qualifié ou le Centre d'Assistance le plus proche.



ATTENTION ! Ne pas conserver dans le produit ou près de ses parties électriques : des bombes aérosol à base de substances inflammables, des matériaux explosifs, des appareils électriques, des animaux vivants.

Les bombes aérosol contenant des substances inflammables peuvent avoir des fuites de ces gaz qui, en contact avec les parties électriques, peuvent s'enflammer ou provoquer des explosions.

Éviter les feux ou les étincelles dans le produit.

Éviter d'utiliser des appareils électriques à l'intérieur du produit.



ATTENTION ! Le produit ne peut pas être utilisé par les enfants de moins de 8 ans.

Le produit peut être utilisé par des enfants de 8 ans au minimum et par des personnes avec des capacités physiques, sensorielles ou mentales réduites, ou sans expérience ou dénuées de la connaissance nécessaire, pourvu que ce soit sous surveillance ou après avoir reçu les consignes relatives à l'usage en toute sécurité du produit et à la compréhension des risques qui y sont inhérents.

Les enfants ne doivent pas jouer avec le produit. Le nettoyage et l'entretien que l'utilisateur doit accomplir ne doivent pas être accomplis par des enfants sans surveillance.



ATTENTION ! Ne pas utiliser de fiches ou d'interrupteurs en cas de mains ou de pieds mouillés.

Manuel d'utilisation

2. Instructions pour l'utilisation

La classe climatique est indiquée sur la plaque de données à l'intérieur de l'appareil.

SN ou **classe tempérée étendue** (température ambiante de 10°C à 32°C) ;

N ou **classe tempérée** (température ambiante de 16°C à 32°C) ;

ST ou **classe subtropicale** (température ambiante de 16°C à 38°C) ;

T ou **classe tropicale** (température ambiante de 16°C à 43°C).

2.1 Réglage de la température avec thermostat

Tourner la poignée du thermostat pour régler la température du produit :

-Thermostat A :

1 correspond à la température intérieure plus élevée, 7 correspond à la température intérieure plus basse.

-Thermostat B :

Les valeurs de température indiquées sur la poignée correspondent à la température moyenne à l'intérieur désirée.

Il est vivement recommandé de maintenir le produit à une température de 5-6°C. La température extérieure influence celle du produit, il peut donc être difficile de maintenir la juste température interne si ce dernier est exposé à la chaleur et à la lumière solaire directe.

Poignée thermostat

A



B



Les modèles BI29, BI41 et BI92, nommés “Dual” ont le thermostat B et peuvent être utilisés aussi bien comme réfrigérateurs que comme freezer, aux plages de températures suivantes :

BI29 Dual de +10°C à -12°C

BI41 Dual de +10°C à -10°C

BI92 Dual de +10°C à -20°C.

2.2 Conseils pour l'utilisation

- Si possible, allumer le produit environ 6 heures avant d’y ranger les aliments.
- L’ouverture fréquente du produit comporte une plus grande consommation d’électricité.
- Une ventilation adaptée du compresseur et du condensateur réduit nettement la consommation électrique.
- Ne jamais boucher le système de ventilateur du produit.
- L’installation électrique doit être en excellentes conditions, vérifier régulièrement les batteries et leur niveau de charge. Toujours utiliser une batterie de démarrage séparée du moteur.
- Maintenir toujours propre et sec l’intérieur du produit. Enlever l’eau de condensation du bac d’égouttage sous le compartiment congélateur du réfrigérateur, s’il existe.
- Le produit a été conçu avec un bloc de protection du produit même dans les cas de tension de batterie basse. En cas de blocage du compresseur suivre les indications mentionnées dans ce manuel et/ou contacter les techniciens spécialisés ou les centres d’assistance Indel Webasto Marine Srl.
- Le compresseur peut fonctionner avec une inclinaison allant jusqu’à 30° alors que des angles supérieurs peuvent causer des dommages permanents au compresseur.

Manuel d'utilisation

3. Entretien



ATTENTION ! Exécuter les activités d'entretien uniquement si le produit est éteint et débranché des sources d'alimentation.

Les produits Isotherm Built-In sont dotés d'une installation de refroidissement étanche qui ne requiert pas d'entretien ni de remplissage de réfrigérant.

3.1 Dégivrage

Puisque l'évaporateur fonctionne à des températures inférieures au point de congélation, de la glace et du givre s'y forment.

L'humidité de l'air, la température et le nombre d'ouvertures de la porte influencent considérablement la formation de givre.

Dégivrer toujours le produit quand la couche de givre sur l'évaporateur a une épaisseur de 3-4 mm ou supérieure.

Éteindre le produit en tournant la poignée du thermostat.

Effectuer le dégivrage quand les produits peuvent demeurer le plus possible au frais en dehors du produit même. Ne pas utiliser des objets pointus pour retirer la glace et la givre de l'évaporateur car il pourrait se détériorer en provoquant des fuites de réfrigérant.

Rallumer le produit uniquement après l'avoir dégivré, nettoyé et séché soigneusement. Certains modèles sont dotés d'un trou à la base du bac interne pour faciliter la vidange de la condensation. Le cas échéant, durant le dégivrage, placer un essuie-main à la base du produit pour faciliter la collecte de l'eau.

3.2 Entretien saisonnier

L'entretien saisonnier est effectué :

1° avec le nettoyage du condensateur. Notamment, il est nécessaire de brosser/aspirer toute la poussière accumulée. Utiliser une brosse souple et un aspirateur.

2° avec le nettoyage du compartiment interne. En particulier, laver avec de l'eau tiède et du savon neutre en séchant n'importe quel résidu de condensation / eau.

3.3 Entretien pour les longues périodes d'inactivité

En hiver, le produit doit être conservé à l'intérieur du véhicule, puisque celui-ci ne fonctionne pas à des températures avoisinant les 0°C ou inférieures. Concernant l'arrêt du produit durant des périodes prolongées, il est nécessaire d'attendre le dégivrage complet et de retirer la condensation qui s'est formée. Pour éviter d'endommager le produit, les composants électriques/mécaniques et/ou la formation de moisissures. Le temps de dégivrage naturel peut varier de quelques minutes à plusieurs heures. Quand le produit est éteint, laisser la porte entrebâillée sur la position d'aération et **débrancher toutes les alimentations.**

4 Protection pour basse tension

Pour éviter que les batteries ne se déchargent excessivement, une protection éteint le compresseur en cas de tension insuffisante et le rallume seulement quand la tension dans l'installation augmente suite au rechargement des batteries.

Tension de système	Tension d'arrêt	Tension minimale de fonctionnement
12V	9,6 (10,4) V	10,9 (11,7) V
24V	21,3 (22,8) V	22,7 (24,2) V

Si l'on retire le cavalier dans l'électronique entre C et P, les valeurs indiquées entre parenthèses sont valables.



AVERTISSEMENTS : Avant d'allumer le produit toujours vérifier que les batteries soient en bon état

Manuel d'utilisation

5 Avertissements Installation



ATTENTION !



Pour garantir un fonctionnement en toute sécurité, installer et brancher le produit en respectant des indications mentionnées sur les instructions d'utilisation.



ATTENTION ! Toujours utiliser les EPI



(Équipements de Protection Individuels) durant la manutention et l'installation du produit.



ATTENTION ! Toute modification effectuée sur le produit sans l'autorisation du fabricant sera sous la responsabilité totale de la personne qui effectuera ces changements. Les modifications effectuées sans l'autorisation d'Indel Webasto Marine Srl porteront toute forme de garantie à échéance et invalideront la déclaration de conformité aux directives applicables.



ATTENTION ! Avant d'utiliser le produit, s'assurer qu'il ne présente pas de dégâts visibles sur les composants mécaniques et électriques.



ATTENTION ! Ne pas endommager les tuyaux du circuit réfrigérant, les vaporisations de liquide réfrigérant peuvent abîmer la vue.



ATTENTION ! Dans le cas de dommages faits au produit, informer immédiatement le fournisseur avant de procéder au branchement.



ATTENTION ! Si le câble d'alimentation est endommagé, il doit être remplacé par le fabricant, le Centre d'Assistance ou le personnel qualifié.



ATTENTION ! Installer le produit dans un lieu sec et à l'abri des jets d'eau. Les parties électriques NE doivent PAS être exposées à la pluie et/ou aux jets d'eau.



ATTENTION ! Installer le produit loin des bonbonnes de gaz ou d'installation GPL.



ATTENTION ! Le produit doit être installé dans une zone accessible en cas d'entretiens éventuels. Le compartiment pour le logement des parties sous tension et du groupe condensateur/compresseur doit pouvoir être ouvert seulement de manière volontaire et ne doit pas être accessible directement.



ATTENTION ! La zone d'installation du compresseur/condensateur doit obligatoirement être réalisée avec un matériel résistant à l'essai de la flamme avec brûleur-aiguille de la norme EN 603335----1 ou être à une distance de plus de 5 cm des parties électriques et/ou électroniques.



ATTENTION ! En présence d'un chargeur de batterie, ce dernier doit être branché à la batterie et jamais directement au produit.



ATTENTION ! Le produit doit être protégé contre le contact indirect conformément à la norme « Havey Current Regulations ».



ATTENTION ! En cas de branchement à l'alimentation du réseau électrique en courant alterné, pour éviter de graves blessures personnelles, s'assurer qu'il soit muni de mise à la terre et de dispositifs de sectionnement (interrupteurs) qui permettent de couper entièrement le courant du produit et aux dispositifs de protection d'intervenir automatiquement en cas de panne.



ATTENTION ! Ne pas toucher des câbles électriques éventuellement endommagés ou non isolés quand l'alimentation électrique est insérée. Ceci vaut notamment quand le produit est branché à la tension du réseau, 115 Volt ou 230 Volt.

Manuel d'utilisation

5.1 Installation

Les produits Isotherm ont été conçus et fabriqués exclusivement pour une installation à encastrer.



ATTENTION ! Le produit doit être installé en position horizontale, et le compresseur doit toujours être installé avec les pieds en caoutchouc posés vers le bas.

Le compresseur peut fonctionner avec une inclinaison allant jusqu'à 30°.



ATTENTION ! En cas d'inclinaison supérieure, le compresseur peut être endommagé.

En cas de compresseur à distance, il doit être lui aussi installé avec ses pieds en caoutchouc posés en bas.

Bloquer le produit de façon à ce qu'il ne se renverse pas/ne glisse pas en cas de mer agitée ou de mouvements brusques du véhicule. Effectuer l'ancrage du produit avec au moins 2 points de fixation, conformément à ce qui est prévu par la norme EN 60335-2-24.

Les couvercles fournis avec le produit (Fig. 3B) sont calorifugés et équipés de joints spécifiques, en mesure de garantir le fonctionnement correct du produit et le maintien d'une température idéale mais ils n'ont pas de finition de surface et ne sont pas dotés de charnières ni de poignées.

Installer un revêtement pour les couvercles (pas fourni par Indel Webasto Marine Srl) comme indiqué sur la (Fig. 3A) et de fixer des charnières et/ou poignées éventuelles sur le revêtement.



ATTENTION ! Bien contrôler la fermeture correcte du couvercle, contrôler que le joint adhère parfaitement au compartiment

5.2 Ventilation

Il est fondamental que le compresseur/condensateur soit bien ventilé afin que l'air frais puisse entrer par le bas et que l'air chaud puisse sortir par le haut.

Les illustrations (Fig.1-2) montrent un exemple de la manière dont le logement du produit doit être prédisposé.

5.3 Raccordements électriques

Suivre ces consignes pour le raccordement à l'installation électrique du véhicule :

- Avant de brancher le produit au réseau d'alimentation électrique, s'assurer que la tension de réseau correspond à celle indiquée sur la plaque.
- Brancher le produit directement à la batterie ou à l'interrupteur principal correspondant et s'assurer que l'installation est dotée de dispositif électrique en mesure de protéger le circuit des surintensités.

Se la tension d'alimentation est différente de 12/24Vdc, installer un interrupteur automatique différentiel ΔI 0,03A. Éviter le raccordement au moyen du tableau électrique du véhicule ce qui pourrait provoquer des chutes de tension.

- Insérer en amont du produit un fusible (voir le tableau ci-dessous). Brancher le câble rouge au pôle positif de l'installation électrique et le câble noir au pôle négatif. Utiliser un type de cosse pressé approprié à la dimension du câble.
- Il est obligatoire de monter un interrupteur séparé en amont du produit séparé en amont du réfrigérateur est obligatoire ; cet interrupteur déconnecte en même temps les câbles d'alimentation, contrôler qu'il supporte la charge indiquée sur le tableau ci-dessous.

Modèles	12Vdc	24Vdc
BI29Dual, BI36, BI40, BI41Dual, BI53F, BI75, BI92Dual	15A	7,5A



ATTENTION ! En présence d'un chargeur de batterie, ce dernier doit être branché à la batterie et jamais directement au produit.

Tous les schémas électriques peuvent être consultés à la fin du manuel.

Manuel d'utilisation

5.4 Dimensions des câbles électriques

Toujours utiliser des câbles d'une section appropriée, un tableau avec les sections minimales est indiqué ci-dessous :

Section mm ²	Section AWG	Longueur max câble 12V m/ft	Longueur max câble 24V m/ft
2,5	13	2,5/8	5/16
4	11	4/13	8/26
6	9	6/19	12/39
10	7	10/33	20/66

5.5 Éclairage interne (seulement pour les modèles prévus)

Pour remplacer l'ampoule à LED, presser le verre du dispositif d'éclairage vers le bas avec le levier prévu à cet effet. Remplacer l'ampoule et remonter le dispositif d'éclairage (Fig. 4-5).

Utiliser seulement des pièces de rechange originales Indel Webasto Marine Srl.

6 Données techniques (configurations standards)

Tension de service : 12 ou 24 Vdc

La consommation moyenne indiquée a été mesurée avec une température intérieure de +5°C et une température extérieure de 25°C conformément à la norme standard ISO 15502:2005 et EN 153:2006

La consommation moyenne est nettement influencée par l'utilisation du produit et le type de ventilation.

Le type et la quantité de gaz dans l'installation sont indiqués sur la plaque de données du produit.

Les produits sont conformes à la directive EMC en vigueur et comportent la marque CE.

Modèle	Consommation - intensité instantanée 12/24Vdc (Ampère)	Consommation - intensité instantanée 12/24Vdc (Watt)	Consommation moyenne à 25°C (Wh/24h)
BI 29 Dual	6,0/3,0	72	250
BI 36	6,0/3,0	72	350
BI 40	6,0/3,0	72	270
BI 41 Dual	6,0/3,0	72	270
BI 53F	7,0/3,5	85	260
BI 75	6,0/3,0	72	340
BI 92 Dual	7,0/3,5	85	360

Manuel d'utilisation

7 Recherche des pannes

Toutes les interventions sur des parties électriques ou sur des connexions électriques et sur le circuit réfrigérant doivent être effectuées par du personnel qualifié et autorisé.

Attention : Débrancher l'alimentation électrique avant toute autorisation sur des parties électriques ou sur des connexions électriques.

Défaut	Cause possible	Intervention
Le produit ne refroidit pas, le compresseur ne se met pas en marche.	Pas de courant électrique. Batterie en mauvaises conditions. Thermostat défectueux. Centrale électronique défectueuse.	Contrôler que la centrale électronique reçoive l'alimentation et que la tension soit suffisante, contrôler le fusible. Contrôler si l'éclairage interne fonctionne et si le compresseur est alimenté. Contrôler les câbles, les cosses et les connecteurs. Contrôler si la batterie se recharge correctement. Contrôler le thermostat : Ponter T - C avec câble séparé. Si le compresseur ne démarre pas, l'électronique est probablement défectueuse. La remplacer. Si le compresseur démarre avec le cavalier, le thermostat est défectueux. Remplacer le thermostat.
Le compresseur réalise seulement quelques brèves tentatives de démarrage.	Une tension insuffisante ou une chute de tension durant la tentative de démarrage active la protection. Batteries déchargées.	Contrôler les câbles et les raccordements ; retirer des traces éventuelles d'oxydation ou de corrosion. Charger les batteries, allumer le moteur et brancher le chargeur de batterie.
Le compresseur fonctionne mais ne refroidit pas.	Fuites de réfrigérant de l'évaporateur ou du tuyau. Tuyau obstrué.	Effectuer un essai de taux de fuite et réparer des fuites éventuelles, aspirer et rajouter la quantité de réfrigérant correcte. (Cette intervention doit être effectuée par un technicien.)
Le compresseur fonctionne longtemps mais ne refroidit pas assez (efficacité réduite).	Ventilation insuffisante, surchauffe du condensateur. Le ventilateur ne fonctionne pas. Trop de givre sur l'évaporateur. La porte ne se ferme pas correctement, elle laisse entrer de l'air chaud et humide. Condensateur obstrué par la poussière	Augmenter la ventilation. Remplacer le ventilateur. Dégivrer. Corriger la position de la porte et contrôler le joint. Nettoyer le condensateur.

Le fusible saute.	Mauvais fusible. Centrale électronique défectueuse.	Contrôler le fusible : voir tableau à la section 4.4. Remplacer la centrale électronique.
Le compresseur fonctionne de manière intermittente.	Batterie déchargée ou câbles électrique en mauvaises conditions.	Contrôler l'état du câblage, rechercher des connexions desserrées, de la rouille ou la présence possible de vert-de-gris. Si le câblage doit être remplacé, consulter le manuel pour sa dimension correcte. Si le câblage est en bonnes conditions, vérifier le fonctionnement de la batterie et la remplacer si elle est en mauvais état.
Le compresseur ne s'arrête jamais (performance du frigo correcte)	Connexion thermostat erronée sur le centrale électronique. Thermostat cassé. La condensation ne fonctionne pas correctement, évaporateur se refroidit mais pas assez pour que le thermostat arrête le compresseur.	Tourner le thermostat en position éteint, si le réfrigérateur continue à fonctionner cela signifie qu'il y a une continuité sur la centrale. Corriger le problème sur les connexions du thermostat (contrôler sur la centrale électronique si il y a le pont sur C et P et non sur C et T). Tourner le thermostat en position éteinte, si le compresseur s'éteint mais qu'il est impossible de régler la température, remplacer le thermostat ou recharger le système de refroidissement.
Le compresseur ne s'arrête jamais (mauvaise performance du frigo)	Environnement très chaud + ventilation insuffisante ou peu de gaz dans le circuit réfrigérant.	Contrôler la ventilation, le compresseur doit être installé dans un lieu bien ventilé. Si possible, retirer le réfrigérateur du trou d'installation, si le réfrigérateur fonctionne mieux, améliorer la ventilation en consultant le manuel pour une installation correcte. Si la ventilation est optimale, contrôler la présence de gaz dans le système, en contactant un technicien spécialisé.
Le compartiment congélateur est froid mais le compartiment frigo ne l'est pas.	Ventilation insuffisante, peu de gaz dans le circuit réfrigérant, alimentation électrique non continue.	Contrôler la ventilation, le compresseur doit être installé dans un lieu bien ventilé. Si possible, retirer le réfrigérateur du trou d'installation, si le réfrigérateur fonctionne mieux, améliorer la ventilation en consultant le manuel pour une installation correcte. Contrôler les conditions des raccordements électriques et de la batterie. Si la ventilation est optimale, contrôler la présence de gaz dans le système, en contactant un technicien spécialisé.

Manuel d'utilisation

Excès de glace sur l'évaporateur.	Infiltrations d'humidité dans le produit.	Contrôler les conditions du joint sur les quatre côtés de la porte, le joint doit fermer parfaitement sur le meuble. Si la formation de glace est plus épaisse sur un côté, très probablement l'infiltration d'humidité dans le frigo provient de ce côté. Utiliser une source modérée de chaleur pour modeler le joint dans sa position. Remplacer la porte dans son intégrité s'il est impossible de modeler le joint.
Le réfrigérateur refroidit trop.	La sonde du thermostat est trop couverte ou mal positionnée.	La partie terminale de la sonde doit être en contact avec l'évaporateur, placer la sonde en position correcte. Si le réfrigérateur continue à trop refroidir, remplacer le thermostat.
Le compresseur est plus bruyant que d'habitude.	Le compresseur n'est pas bien fixé sur son support ou touche le mur/la paroi.	Contrôler que les vis du compresseur soient bien serrées et que rien ne soit en contact avec celui-ci. Le compresseur vibre et les vibrations augmentent si quelque chose est en contact avec lui.
Ventilateur(s) plus bruyant que d'habitude.	La structure du ventilateur est pliée ou le ventilateur est cassé.	Retirer les colliers/vis utilisés pour fixer le ventilateur. Si le ventilateur continue à faire du bruit, le changer. Vérifier que chaque partie du ventilateur soit intacte, le remplacer s'il manque une ou deux ailettes.
La lumière ne s'allume pas à l'intérieur.	Polarité inversée ou ampoule cassée.	Contrôler la polarité de l'ampoule. Si la polarité est correcte, remplacer l'ampoule.
Porte/tiroir ne ferme pas correctement.	Position erronée des charnières ou joint déformé.	Repositionner les charnières de sorte que la porte se ferme correctement. Utiliser une source modérée de chaleur pour remodeler le joint dans sa position. Si le problème persiste, remplacer la porte. En cas de réfrigérateurs à tiroir, utiliser les glissières réglables pour réaligner la porte.

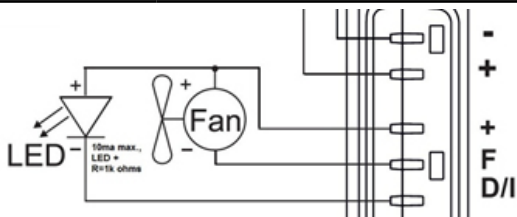
En cas de défauts plus complexes qui nécessitent l'assistance d'un spécialiste, contacter Indel Webasto Marine ou le distributeur Isotherme local.

8 LEDS pour diagnostic

La centrale électronique a une fonction de recherche d'erreurs quand une LED est connectée comme indiqué sur la figure.

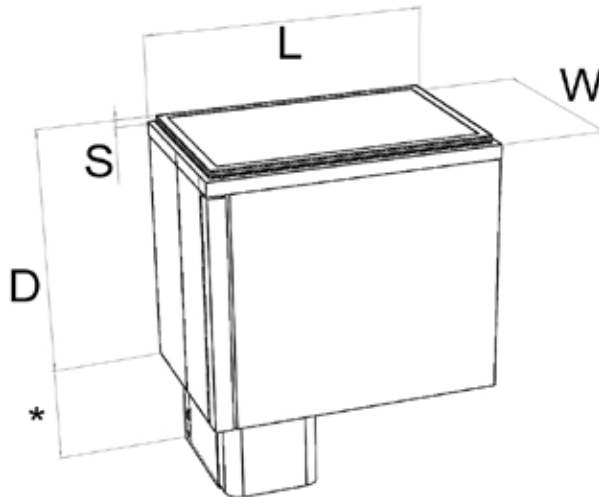
Le nombre de clignotements indique le type d'erreur.

Nombre de clignotements de la LED	Type d'erreur	Solution
6	Sonde défectueuse (la sonde est défectueuse ou n'est pas connectée).	Reconnecter la sonde et vérifier que le compresseur fonctionne à nouveau. Si le compresseur ne fonctionne pas, remplacer la sonde.
5	Protection thermique de la centrale électronique. (si le système réfrigérant a été trop chargé ou la température ambiante trop haute, la centrale électronique surchauffe).	Retirer le gaz en excès ou augmenter la ventilation.
4	Erreur vitesse minimum du moteur. (si le système réfrigérant a été trop chargé, le moteur ne réussit pas à maintenir la vitesse minimum approximative 1.850 RPM).	Retirer l'excès de gaz.
3	Erreur de démarrage du moteur (le rotor est bloqué ou la pression dans le circuit réfrigérant est trop haute (> 5 bars). Centrale électronique défectueuse.	La première opération est le remplacement de la centrale électronique. Si le problème persiste, remplacer le compresseur.
2	Ventilateur en court-circuit (le ventilateur absorbe plus de 1A de la centrale électronique).	Remplacer le ventilateur.
1	Protection batterie (la tension est en dehors des voltages minimums et maximums).	Contrôler les conditions des câbles d'alimentation. En cas de besoin, les remplacer par de nouveaux câbles. Contrôler la condition de la batterie.



Manuel d'utilisation

9 Dimensions



Modèle	Largeur (mm) [W]	Longueur (mm) [L]	Profondeur (mm) [D]	Épaisseur porte (mm) [S]	Hors-service (mm) W:H	Bord supérieur (mm) W:H	Tuyaux ¹	Re-marque
BI 29 Dual	342	510+160*	330	35 inclus	344:500	343:499	/	REM
BI 36	240	438	555+160*	35 inclus	442:244	/	+25	REM
BI 40	395	400+160*	400	40 inclus	399:399	415:415	+20	REM
BI 41 Dual	342	497	468+160*	14 inclus	344:500	343:499	/	REM
BI 53F	425	645	470+160*	/	429:649	430:648	+15	REM
BI 75	425	645	470+160*	/	429:649	430:648	+15	REM
BI 92 Dual	480	801	455+160*	/	484:805	484:804	+25	REM

REMARQUE :

REM : Le produit est fourni avec la possibilité de déplacer le groupe compresseur en fonction de la longueur des tuyaux fournis.

1 : Cette cote indique l'espace qui sert à la sortie des tuyaux du produit, pour éventuellement les plier.

POUR UN FONCTIONNEMENT CORRECT ET CONFORME À LA NORME, IL EST CONSEILLÉ QUE LES PAROIS INTERNES DU FRIGO RESPECTENT LES DISTANCES SUIVANTES DES PAROIS INTERNES DU MEUBLE : 20 mm SUR LES PAROIS OÙ LE COMPRESSEUR N'EST PAS PRÉSENT ET 50 mm SUR LES PAROIS OÙ LE COMPRESSEUR EST PRÉSENT. S'IL EST IMPOSSIBLE DE RESPECTER CES RÈGLES, LES MESURES MINIMALES DE DISTANCE DOIVENT ÊTRE 5 mm ET LE MATÉRIEL DE FABRICATION DES PAROIS DOIT ÊTRE ANTIDÉFLAGRANT

10 Garantie

La garantie Indel Webasto Marine est conforme à la directive UE 2019/771.

Période de validité

La garantie du produit a une validité de 2 ans en ce qui concerne le coût de la main d'œuvre pour les interventions de réparation ou de remplacement, mais seulement si elles sont effectuées par des centres d'assistance du réseau IWM et donc autorisées.

Pour connaître les conditions spécifiques de validité aux États-Unis, contacter Indel Webasto Marine USA.

La période de validité commence :

- La date de vente indiquée sur la facture ou sur le ticket de caisse du produit.
- La date de la facture ou du document d'immatriculation de la première vente du véhicule où il est installé, si installé par le producteur du moyen de transport.
- Si l'un des deux documents indiqués ci-dessus manque à l'appel, la semaine de production indiquée sur le S/N (numéro de série) est valable.

Le remplacement d'un produit ou composant ne change pas la période de garantie.

La garantie couvre :

- Remplacement ou réparation du produit ou d'un ou plusieurs composants reconnus comme défectueux pour vices de fabrication.
- La casse ou dysfonctionnement de composants sous garantie malgré une installation et une utilisation certifiées correctes.
- La main d'œuvre et les déplacements en fonction des modalités opérationnelles indiquées ci-dessous.
- Les frais pour la livraison du produit remplacé (frais de douane exclus)

La garantie ne couvre pas les défauts ou dommages ou dysfonctionnements causés par :

- Négligence ou oubli ou utilisation incorrecte
- Mauvaise installation ou manutention imprudente
- Ventilation insuffisante
- Raccordement électrique incorrect
- Câblage sous dimensionné
- Mauvais entretien ou entretien effectué par du personnel non autorisé
- Manque d'observation de toutes les prescriptions indiquées dans ce manuel d'instructions
- Dommages durant le transport
- Frais de douane
- Objets sujets à l'usure
- Utilisation professionnelle

Garantie

- Dommages causés par les agents atmosphériques
- Frais de démontage et / ou de réassemblage de meubles ou d'autres structures

Informations indispensables pour établir si le cas est couvert par la garantie :

- Code produit (indiqué sur l'étiquette placée sur le produit)
- S/N (n° de série) (indiqué sur l'étiquette placée sur le produit)
- Facture ou ticket de caisse (ou éventuellement document d'immatriculation, voir le chapitre période de validité ci-dessus)
- Description détaillée du défaut (Joindre photo si possible)
- Description de l'installation avec attention particulière à la ventilation et au câblage. (Joindre photo si possible)

(S'il est établi que le cas n'est pas couvert par la garantie, le client doit payer tous les frais de réparation, remplacement, main d'œuvre, déplacement de personnes et transport éventuels. IWM ne devra payer aucune dépense.)

Modalités opérationnelles à appliquer une fois s'être assuré que le cas de figure rentre dans les conditions de garantie :

Les interventions sous garantie sur les produits installés dans les véhicules doivent être effectuées exclusivement par des centres d'assistance (CAT) du réseau IWM (voir la liste sur www.indelwebastomarine.com). IWM ne couvre pas les coûts d'interventions réalisées par d'autres.

Pour un produit installé dans un véhicule, le technicien du CAT autorisé par IWM se rendra auprès du véhicule si celui-ci se trouve à une distance maximum de 100 km du CAT. IWM couvre les frais liés à ce déplacement. Si la véhicule se trouve à plus de 100 km, le client peut choisir de payer les frais de transfert du technicien (dans ce cas il paie directement au technicien), ou bien rapprocher le véhicule.

Pour localiser le service le plus proche et pour les termes de couverture des déplacements aux États-Unis, contracter Indel Webasto Marine USA.

IWM ne rembourse aucune dépense liée à des pièces de rechange achetées autre part.

Produits installés dans des Véhicules Récréatifs (RV) :

Les interventions sous garantie doivent être effectuées exclusivement par des centres d'assistance du réseau Webasto.

Le véhicule doit être amené au centre d'assistance.

Trouvez le centre d'assistance le plus proche sur www.webasto.com

Pour obtenir les condition des produits installés dans les véhicules récréatifs aux États-Unis, contacter Indel Webasto Marine USA.

Manual de uso

Sumario

1. Manual	106
1.1 Medioambiente	107
1.2 Normas de seguridad	108
2. Instrucciones de uso	111
2.1 Regulación de la temperatura con termostato	111
2.2 Consejos de uso	112
3. Mantenimiento	113
3.1 Desescarche	113
3.2 Mantenimiento estacional	113
3.3 Mantenimiento para periodos prolongados de inactividad	114
4 Protección frente a baja tensión	114
5 Advertencias de instalación	115
5.1 Instalación	117
5.2 Ventilación	118
5.3 Conexiones Eléctricas	118
5.4 Dimensiones de los cables eléctricos	119
5.5 Iluminación interna (solo en los modelos preparados)	119
6 Datos técnicos (configuración estándar)	120
7 Solución de Problemas	121
8 Led de diagnóstico	124
9 Dimensiones	125
10 Garantía	126

1. Manual








El manual contiene advertencias sobre los peligros para el usuario o sobre cómo comportarse; estas advertencias se indican según se explica a continuación:



¡ATENCIÓN!



No poner en marcha el aparato sin haber consultado antes este manual de instrucciones.

<p>Obligación de lectura de las instrucciones La presencia de este símbolo obliga a la lectura de las instrucciones antes de poner en marcha el aparato.</p>	
<p>Obligación de desconexión La presencia de este símbolo obliga a la inmediata desconexión del producto de la alimentación principal del aparato en caso de avería</p>	
<p>Obligación de guantes La presencia de este símbolo obliga a todos los operadores a utilizar guantes de protección</p>	
<p>Obligación de calzado La presencia de este símbolo obliga a todos los operadores a utilizar calzado que reduzca el riesgo de accidentes</p>	
<p>Peligro general La presencia de este símbolo obliga al operador a prestar una atención especial</p>	
<p>Peligro de electrocución La presencia de este símbolo avisa de que la operación descrita conlleva el riesgo de choque eléctrico</p>	
<p>Peligro luz de alta intensidad La presencia de este símbolo indica que se ha de prestar una atención especial a las luces luminosas de alta intensidad, riesgo para la vista</p>	

Manual de uso



¡ATENCIÓN! El manual debe conservarse para cualquier consulta en el futuro. Es necesario:

- Conservar el manual en un lugar accesible protegido de la humedad y del calor y resguardado de los rayos directos del sol.
- Utilizar el manual de modo que su contenido no se dañe parcial o totalmente.
- No extraer, arrancar o modificar bajo ningún concepto partes del presente manual.

No obstante el nivel de atención puesta en la redacción del manual y la pretensión de abarcar todos los detalles y situaciones posibles, Indel Webasto Marine Srl no puede garantizar que la información que contiene contemple cualquier evento asociado a la instalación del equipo, en caso de dudas se aconseja contactar directamente con nuestros técnicos. En caso de venta o cesión del producto a otra persona, el presente manual y sus anexos deben entregarse, íntegros, al nuevo usuario.




¡ATENCIÓN! El presente manual se refiere a la versión estándar del producto. Las máquinas diferentes de la estándar podrían tener pequeñas diferencias no descritas en el presente manual. Dirigirse al fabricante en caso de dudas.

1.1 Medioambiente

Este producto cumple con la directiva 2002/96/CE sobre residuos de aparatos eléctricos y electrónicos (RAEE).


La correcta eliminación del aparato es esencial para prevenir importantes consecuencias negativas para el medio ambiente y la salud.




El símbolo  que figura en el aparato, el embalaje o su correspondiente documentación indica que el aparato no debe ser eliminado junto con los residuos domésticos. El aparato debe ser entregado a un centro de recogida autorizado para el reciclaje de los aparatos eléctricos y electrónicos. Eliminar siempre el aparato cumpliendo con las disposiciones ambientales locales acerca de la eliminación de residuos.

Para mayor información sobre la eliminación, el reciclaje, y la reutilización del aparato ponerse en contacto con las autoridades locales, con el servicio de recogida local de residuos o con el comercio/distribuidor donde ha adquirido el producto.

El embalaje se fabrica con material reciclable. En este figura el símbolo

del reciclado  y debe entregarse a un centro de recogida.

El símbolo  indica que el aparato cumple con todas las disposiciones de la comunidad europea que regulan su uso.



¡ATENCIÓN! Este producto contiene gas fluorado con efecto invernadero R134a en el interior de un sistema sellado herméticamente cuyo funcionamiento depende de la presencia de dicho gas.



¡ATENCIÓN! No abrir el circuito refrigerante. El refrigerante R134a que contiene el producto no es inflamable en condiciones normales. No verter el refrigerante R134a en el medioambiente.

En caso de daños en el circuito de refrigeración, contacte con personal capacitado que posea certificación para manejar gases fluorados.

1.2 Normas de seguridad



¡ATENCIÓN! Indel Webasto Marine Srl se exime de cualquier responsabilidad por defectos de funcionamiento o daños a personas o cosas debidos a un uso distinto del aparato o de materiales con características diferentes a las indicadas en el presente manual.

El uso impropio o el uso del producto contrario a las indicaciones de este manual no puede motivar reclamaciones al fabricante y/o proveedor.

Manual de uso



¡ATENCIÓN! El producto es apto únicamente para conservar y/o mantener alimentos. Los productos de alimentación deben ser conservados en su envase original o en contenedores adecuados. No consumir alimentos caducados, ya que podrían provocar una intoxicación.



¡ATENCIÓN! Si se van a conservar medicamentos dentro del producto, controlar que el mismo disponga de una capacidad de enfriamiento que satisfaga los requisitos del caso.



¡ATENCIÓN! La finalidad y la función del aparato cuando se utiliza como congelador consiste únicamente en mantener congelados productos alimentarios ya completamente congelados.

La nevera no congela productos alimentarios no congelados o parcialmente congelados. Conservar un producto alimentario no congelado o parcialmente congelado en el congelador se considerará uso impropio y podría provocar la descongelación accidental del producto alimentario y los consiguientes problemas de seguridad, enfermedad o lesiones en caso de ingestión.

La conservación de alimentos no congelados o parcialmente congelados en el congelador puede afectar a la calidad de otros productos alimentarios congelados del interior del congelador.

La exposición a temperaturas superiores al rango de temperatura de la clase climática para la que se ha fabricado el congelador, los cortes de la alimentación eléctrica y/o la apertura frecuente del congelador pueden reducir la eficacia del refrigerador y la calidad de los alimentos presentes en el congelador.

El usuario debe controlar siempre la calidad de los productos alimentarios antes de ingerirlos.



¡ATENCIÓN! Para los periodos prolongados de inactividad desconectar



todas las alimentaciones . Dejar la puerta del producto ligeramente abierta para que se ventile su interior y no se forme moho.



¡ATENCIÓN! Eliminar todas las fuentes de calor y chispas que se encuentren cerca del producto, desenchufarlo y ventilar bien el local en caso de pérdida de líquido refrigerante.



¡ATENCIÓN! Desconectar inmediatamente el producto de la alimentación principal en caso de avería. No tocar cables eléctricos que estén dañados o sin aislar cuando esté activada la alimentación eléctrica. Esto es especialmente importante cuando el producto está conectado a la tensión de red, 115V o 230V.

Si el cable de alimentación está dañado debe sustituirse, contacte con personal cualificado o el Centro de Asistencia Técnica más cercano.



¡ATENCIÓN! No guardar en el producto o cerca de sus componentes eléctricos: envases aerosol de sustancias inflamables, materiales explosivos, aparatos eléctricos, animales vivos.

Los envases aerosol que contienen sustancias inflamables pueden sufrir pérdidas de gases que, en contacto con componentes eléctricos, pueden provocar incendios o explosiones.

No producir llamas o chispas en el interior del producto.

No utilizar aparatos eléctricos dentro del producto.



¡ATENCIÓN! El producto no puede ser utilizado por niños menores de 8 años.

El producto puede ser utilizado por niños mayores de 8 años y por personas con capacidades físicas, sensoriales o mentales disminuidas, o que no posean experiencia o los conocimientos necesarios, siempre que lo hagan bajo supervisión o después de haber recibido instrucciones sobre el uso seguro del producto y hayan comprendido los riesgos que este uso implica.

Los niños no deben jugar con el producto. La limpieza y el mantenimiento que debe realizar el usuario no debe ser efectuada por niños sin supervisión.



¡ATENCIÓN! No utilice enchufes o interruptores con las manos o los pies mojados.

Manual de uso

2. Instrucciones de uso

La clase climática está indicada en la placa de datos situada en el interior del aparato.

SN o clase templada extendida (temperatura ambiente de 10°C a 32°C).

N o clase templada (temperatura ambiente de 16°C a 32°C).

SN o clase subtropical (temperatura ambiente de 16°C a 38°C).

T o clase tropical (temperatura ambiente de 16°C a 43°C).

2.1 Regulación de la temperatura con termostato

La temperatura del producto se regula girando el pomo del termostato:

- Termostato A:

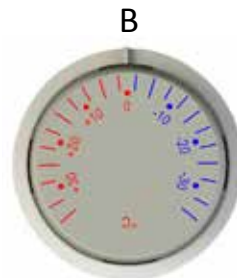
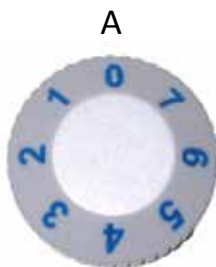
1 corresponde a la temperatura interna más alta, 7 corresponde a la temperatura interna más baja.

- Termostato B:

Los valores de temperatura indicados en el pomo corresponden a la temperatura media interna deseada.

Se recomienda mantener el producto a una temperatura de 5-6 °C. La temperatura externa influye en la del producto, por lo que es difícil mantener la temperatura interna correcta si el mismo se expone al calor o a la luz solar directa.

Rueda del termostato



Los modelos BI29, BI41 y BI92, llamados “Dual” tienen el termostato B y pueden utilizarse tanto como neveras y también como congeladores, dentro de los siguientes rangos de temperatura:

BI29 Dual - de +10°C a -12°C

BI41 Dual - de +10°C a -10°C

BI92 Dual - de +10°C a -20°C.

2.2 Consejos de uso

- Si es posible, encender el producto unas 6 horas antes de colocar los alimentos.
- La apertura frecuente del producto comporta un mayor consumo eléctrico.
- Una ventilación adecuada del compresor y del condensador reduce de manera importante el consumo eléctrico.
- No obstruir nunca el sistema de ventilación del producto.
- La instalación eléctrica ha de mantenerse en buen estado, controlar regularmente las baterías y su nivel de carga. Utilizar siempre una batería de encendido separada del motor.
- Mantener siempre limpio y seco el interior del producto. Eliminar el agua de condensación de la bandeja de goteo situada debajo del compartimento congelador de la nevera, si dispone del mismo.
- El producto se ha diseñado con paro de protección del producto mismo en los casos de tensión baja de la batería. Si el compresor dejara de funcionar, siga las indicaciones del presente manual y/o contacte con técnicos especialistas o centros de asistencia Indel Webasto Marine Srl.
- El compresor puede funcionar hasta una inclinación de 30°, si es superior se podría dañarlo permanentemente.

Manual de uso

3. Mantenimiento



¡ATENCIÓN! Realizar el mantenimiento solo con el producto apagado y desconectado de fuentes de alimentación.

Los productos Isotherm Built-In cuentan con un sistema de enfriamiento hermético que no requiere mantenimiento ni reposición de refrigerante.

3.1 Desescarche

Debido a que el evaporador funciona a una temperatura inferior al punto de congelación, sobre este se forma hielo y escarcha.

La humedad del aire, la temperatura y el número de aperturas de la puerta influyen de manera importante en la formación de escarcha.

Desescarchar siempre el producto cuando la capa de escarcha situada sobre el evaporador posea un espesor de 3-4 mm o superior.

Apagar el producto girando el pomo del termostato.

Efectuar el desescarche cuando los productos puedan permanecer frescos el máximo tiempo posible fuera del producto mismo. No utilizar objetos puntiagudos para extraer el hielo y la escarcha del evaporador, ya que este podría dañarse provocando la pérdida de refrigerante.

Volver a encender el producto solamente después de haberla desescarchado, limpiado y secado con cuidado. Algunos modelos tienen un orificio en el fondo del interior para facilitar la salida de los condensados. Si es necesario, mientras se realiza el desescarche, colocar una toalla sobre el fondo del producto para facilitar la recogida de agua.

3.2 Mantenimiento estacional

El mantenimiento estacional se realiza:

1° Con la limpieza del condensador. Especialmente, es necesario cepillar/aspisar todo el polvo acumulado. Utilizar un cepillo suave y una aspiradora.

2° Con la limpieza del compartimiento interior. En particular, lavar con agua templada y jabón neutro, secando cualquier residuo de condensación y/o de agua.

3.3 Mantenimiento para periodos prolongados de inactividad

En invierno el producto debe guardarse en el interior del vehículo, ya que el mismo no funciona a temperaturas próximas a 0°C o inferiores. Al apagar el producto durante periodos prolongados es necesario esperar el desescarche completo y quitar la condensación que se haya formado. Para evitar daños al producto, a los componentes eléctricos/mecánicos y/o la formación de moho. El tiempo de desescarche natural puede variar de unos pocos minutos a varias horas. Cuando el producto está apagado, dejar la puerta entreabierta en posición de ventilación y **desconectar todas las alimentaciones.**

4 Protección frente a baja tensión

Para evitar que las baterías se descarguen excesivamente, el protector apaga el compresor en caso de tensión insuficiente y vuelve a encenderlo solamente cuando la tensión en el sistema aumenta después de cargar las baterías.

Tensión del sistema	Tensión de apagado	Tensión Mínima de Funcionamiento
12V	9,6 (10,4) V	10,9 (11,7) V
24V	21,3 (22,8) V	22,7 (24,2) V

Si se extrae el puente electrónico situado entre C y P son válidos los valores indicados entre paréntesis.



ADVERTENCIAS: Antes de encender el producto verificar siempre que las baterías se encuentren en perfectas condiciones.

Manual de uso

5 Advertencias de instalación



¡ATENCIÓN!



Para garantizar un funcionamiento seguro, instalar y conectar el producto siguiendo las indicaciones de estas instrucciones de uso.



¡ATENCIÓN! Utilice siempre EPI



(Equipos de Protección Individual) durante la manipulación e instalación del aparato.



¡ATENCIÓN! Las modificaciones realizadas en el aparato sin conocimiento del fabricante son completamente responsabilidad de quien las haga. Las modificaciones realizadas sin autorización de Indel Webasto Marine Srl producen el cese de efectos de cualquier forma de garantía e invalidan la declaración de conformidad con las directivas aplicables.



¡ATENCIÓN! Antes de utilizar el producto asegurarse de que sus componentes mecánicos y eléctricos no presenten daños visibles.



¡ATENCIÓN! No dañar tubos del circuito refrigerante, las salpicaduras de líquido refrigerante pueden dañar la vista.



¡ATENCIÓN! En caso que se produzcan daños en el producto, informar inmediatamente a la empresa suministradora antes de realizar su conexión.



¡ATENCIÓN! Si el cable de alimentación está dañado este debe ser sustituido por el fabricante, por Centros de Asistencia Técnica o por personal cualificado.



¡ATENCIÓN! Instalar el producto en un lugar seco y protegido de las

salpicaduras de agua. Los componentes eléctricos NO deben ser expuestos a la lluvia y/o salpicaduras de agua.



¡ATENCIÓN! Instalar el producto lejos de bombonas de gas o sistemas GLP.



¡ATENCIÓN! El aparato se ha de instalar en una zona accesible para el mantenimiento. El compartimiento donde se alojen los componentes con tensión eléctrica y el grupo condensador/compresor solo debe poderse abrir voluntariamente, sin ser posible su acceso directo.



¡ATENCIÓN! La zona de instalación del grupo compresor/condensador debe estar realizada con un material resistente al Ensayo de la llama de aguja previsto por la norma EN 603335----1 o estar a más de 5 cm de distancia de los componentes eléctricos y electrónicos.



¡ATENCIÓN! Si la instalación cuenta con un cargador de baterías, este debe conectarse a la batería y nunca directamente al producto.



¡ATENCIÓN! El producto debe ser protegido contra el contacto indirecto según la norma “Heavy Current Regulations”.



¡ATENCIÓN! En caso de conexión a la red eléctrica de alimentación de corriente alterna, para evitar lesiones personales graves, asegurarse de que esta disponga de puesta a tierra, de dispositivos de seccionamiento (interruptores) que permitan cortar totalmente la corriente del producto y de dispositivos de protección que intervengan automáticamente en caso de avería.



¡ATENCIÓN! No tocar cables eléctricos que estén dañados o sin aislar cuando esté activada la alimentación eléctrica. Esto es especialmente importante cuando el producto está conectado a la tensión de red, 115 voltios o 230 voltios.

Manual de uso

5.1 Instalación

Los productos Isotherm han sido diseñados y fabricados para ser instalados exclusivamente empotrados.



¡ATENCIÓN! El producto se debe instalar en posición horizontal, y el compresor debe estar siempre instalado con los pies de goma apoyados en el suelo.

El compresor puede funcionar con una inclinación de hasta 30°.



¡ATENCIÓN! Si la inclinación es mayor el compresor puede averiarse.

En caso de compresor en remoto, también este ha de instalarse con sus pies de goma apoyados abajo.

Fijar el producto de modo que no se vuelque o mueva hacia adelante en caso de mar agitado o movimientos bruscos del vehículo. Anclar el producto por lo menos con 2 puntos de fijación y de conformidad con la norma EN 60335-2-24.

Las tapas suministradas con el aparato (Fig. 3B) están aisladas térmicamente y cuentan con juntas, lo que asegura el funcionamiento correcto del aparato y su mantenimiento a una temperatura correcta, pero su superficie carece de acabados y tampoco tienen bisagras ni asas.

Proceder a la instalación de un revestimiento para las tapas (no suministrado por Indel Webasto Marine Srl), como se muestra en la Fig. 3A, fijando si es necesario bisagras y/o asas en el mismo.



¡ATENCIÓN! Asegurarse de que la tapa cierre correctamente, controlar de que la junta selle bien el arcón.

5.2 Ventilación

Asegurarse de que el compresor/condensador se encuentre bien ventilado, de modo que el aire fresco pueda entrar desde abajo y que el aire caliente pueda salir desde arriba.

Las ilustraciones (Fig.1-2) muestran un ejemplo de cómo debe estar preparado el alojamiento del producto.

5.3 Conexiones Eléctricas

Para la conexión al sistema eléctrico del vehículo, observar las siguientes instrucciones:

- Antes de conectar el producto a la red de alimentación eléctrica asegurarse de que la tensión de red corresponda a la indicada en la placa.
- Conectar el producto directamente a la batería o a su correspondiente interruptor general, y asegurarse de que el sistema cuente con un dispositivo eléctrico protección del circuito frente a sobrecorrientes.

Si la tensión de alimentación es diferente de 12/24Vdc, instalar un interruptor automático diferencial ΔI 0,03A. No realizar la conexión a través del cuadro del vehículo, ya que podrían producirse caídas de tensión.

- Instalar antes del producto un fusible (ver tabla siguiente). Conectar el cable rojo al polo positivo del sistema eléctrico y el negro al polo negativo. Utilizar un tipo de terminal prensado que sea adecuado para las dimensiones del cable.
- Es obligatorio instalar un interruptor separado antes del producto que desconecte simultáneamente los cables de alimentación, controlar que soporte la carga indicada en la tabla siguiente.

Modelos	12Vdc	24Vdc
BI29Dual, BI36, BI40, BI41Dual, BI53F, BI75, BI92Dual	15A	7,5A



¡ATENCIÓN! Si la instalación cuenta con un cargador de baterías, este debe conectarse a la batería, no directamente al producto.

Todos los esquemas eléctricos pueden consultarse en la parte final del manual.

Manual de uso

5.4 Dimensiones de los cables eléctricos

Utilizar siempre cables de sección adecuada. A continuación se muestra una tabla con las secciones mínimas:

Sección mm ²	Sección AWG	Longitud máx. cable 12V m/ft	Longitud máx. cable 24V m/ft
2.5	13	2.5/8	5/16
4	11	4/13	8/26
6	9	6/19	12/39
10	7	10/33	20/66

5.5 Iluminación interna (solo en los modelos preparados)

Para la sustitución de la bombilla led, presionar hacia abajo el cristal del grupo de iluminación utilizando la correspondiente palanca. Sustituir la bombilla y volver a montar el grupo de iluminación (Fig. 4-5).

Utilizar solo repuestos originales Indel Webasto Marine Srl.

6 Datos técnicos (configuración estándar)

Tensión de funcionamiento: 12 o 24 Vdc

El consumo medio señalado ha sido medido con temperatura interna de +5 °C y temperatura externa de 25 °C como lo exige la norma ISO 15502:2005 y la EN 153:2006

El consumo medio está influenciado de manera importante por el modo de uso del producto y por el tipo de ventilación.

El tipo y la cantidad de gas en la instalación se indican en la placa de datos del producto.

Los productos cumplen con la directiva EMC vigente y poseen la marca CE.

Modelo	Consumo Instantáneo 12/24Vdc (Amperios)	Consumo Instantáneo 12/24Vdc (Vatios)	Consumo Medio a 25°C (Wh/24h)
BI 29 Dual	6,0/3,0	72	250
BI 36	6,0/3,0	72	350
BI 40	6,0/3,0	72	270
BI 41 Dual	6,0/3,0	72	270
BI 53F	7,0/3,5	85	260
BI 75	6,0/3,0	72	340
BI 92 Dual	7,0/3,5	85	360

7 Solución de Problemas

Todas las operaciones en los componentes eléctricos, las conexiones eléctricas y el circuito refrigerante, han de encargarse a personal capacitado y autorizado.

Atención: Antes de realizar una operación en los componentes eléctricos y las conexiones eléctricas desconectar la alimentación eléctrica.

Avería	Causa Posible	Intervención
El producto no se enfría, el compresor no se pone en marcha.	Fallo de alimentación eléctrica. Batería en mal estado. Termostato defectuoso. Centralita electrónica defectuosa.	Controlar que la centralita electrónica reciba alimentación y tensión suficiente, controlar el fusible. Controlar si la iluminación interna funciona y si el compresor recibe alimentación. Controlar cables, terminales y conectores. Controlar que la batería se recargue correctamente. Controlar el termostato: Puentear T - C con un cable por separado. Si el compresor no arranca, probablemente el sistema electrónico está averiado. Sustituirlo. Si el compresor se activa con el puente, entonces es el termostato el que está averiado. Sustituir el termostato.
El compresor realiza solamente breves intentos de puesta en marcha.	Una tensión insuficiente o una caída de tensión durante el intento de puesta en marcha activa la protección. Baterías descargadas.	Controlar los cables y las conexiones; eliminar los restos de oxidación o corrosión. Cargar las baterías, encender el motor o conectar el cargador de baterías.
El compresor funciona pero no enfría.	Pérdidas de líquido refrigerante por evaporación o a través del conducto. Conducto atascado.	Efectuar una prueba de pérdidas y reparar las que se detecten, aspirar y repostar la cantidad correcta de refrigerante. (Esta operación debe ser efectuada por un técnico.)
El compresor funciona durante mucho tiempo pero no enfría de modo suficiente (rendimiento bajo).	Ventilación insuficiente, sobrecalentamiento del condensador. El ventilador no funciona. Demasiada escarcha sobre el evaporador. La puerta no se cierra correctamente, deja entrar aire caliente y humedad. Condensador obstruido por el polvo.	Aumentar la ventilación. Sustituir el ventilador. Desescarchar. Corregir la posición de la puerta y controlar la junta. Limpiar el condensador.

El fusible salta.	Fusible incorrecto. Centralita electrónica defectuosa.	Controlar el fusible: ver tabla del apartado 4.4. Sustituir la centralita electrónica.
El compresor funciona intermitentemente.	Batería descargada o cables eléctricos en mal estado.	Controlar el estado del cableado y las conexiones, detectando las conexiones aflojadas, oxidadas o con signos de degradación del cobre. Si se ha de sustituir el cableado y las conexiones, consultar el manual para el dimensionamiento correcto. Si el cableado y las conexiones están en buen estado, revisar la batería y, si está en mal estado, sustituirla.
El compresor nunca se detiene (rendimiento correcto de la nevera).	Conexión errónea del termostato en la centralita electrónica. Termostato averiado. La condensación no funciona correctamente, el evaporador se enfría pero no lo suficiente para que el termostato detenga el compresor.	Colocar el termostato en posición de apagado, si la nevera sigue funcionando, entonces hay un problema de continuidad en la centralita. Resolver el problema en las conexiones del termostato (controlar si en la centralita electrónica hay un puente entre C y P en lugar de C y T). Colocar el termostato en posición de apagado, si el compresor se apaga pero no puede regularse la temperatura, cambiar el termostato o cargar el sistema de enfriamiento.
El compresor nunca se detiene (rendimiento bajo de la nevera).	Ambiente muy caluroso + ventilación insuficiente o poco gas en el circuito refrigerante.	Controlar la ventilación, el compresor se ha de instalar en un lugar con buena ventilación. Si es posible, sacar la nevera del hueco donde está instalada, y si funciona mejor, mejorar la ventilación consultando el manual para una instalación correcta. Si la ventilación es correcta, controlar si hay gas en el sistema, contactando con un técnico especializado.
El compartimento del congelador esta frío pero no el de la nevera.	Ventilación insuficiente, poco gas en el circuito refrigerante, alimentación eléctrica discontinua.	Controlar la ventilación, el compresor se ha de instalar en un lugar con buena ventilación. Si es posible, sacar la nevera del hueco donde está instalada, y si funciona mejor, mejorar la ventilación consultando el manual para una instalación correcta. Controlar el estado de las conexiones eléctricas y de la batería. Si la ventilación es correcta, controlar si hay gas en el sistema, contactando con un técnico especializado.

Manual de uso

Exceso de hielo en el evaporador.	Infiltraciones de humedad en el producto.	Revisar la junta en los cuatro lados de la puerta, la junta debe quedar perfectamente ajustada al mueble cuando está cerrada. Si el hielo formado es más grueso en un lado, probablemente la humedad entra en la nevera por ese lado. Utilizar una fuente moderada de calor para modelar la junta en posición correcta. Si no es posible modelar la junta, cambiar toda la puerta.
La nevera enfría demasiado.	La sonda del termostato está demasiado cubierta o en mala posición.	La parte terminal de la sonda debe estar en contacto con el evaporador, colocar la sonda en posición correcta. Si la nevera continúa a enfriar demasiado, cambiar el termostato.
El compresor hace más ruido del normal.	El compresor no está bien sujeto a su soporte o toca el tabique/la pared.	Controlar que los tornillos del compresor estén bien apretados y que no haya nada en contacto con este. El compresor vibra y si algo está en contacto con este las vibraciones aumentan.
El/los ventilador/es hace/n más ruido del normal.	La estructura del ventilador se ha doblado o el ventilador se ha averiado.	Retirar las bridas/tornillos que fijan el ventilador. Si el ventilador sigue haciendo ruido, sustituirlo. Revisar que todas las partes del ventilador estén en perfecto estado, si faltasen uno o más álabes, cambiar el ventilador.
La luz interior no se enciende.	Polaridad invertida o bombilla fundida.	Controlar la polaridad de la bombilla. Si la polaridad es correcta, sustituir la bombilla.
Puerta/Cajón que no cierra correctamente.	Posición incorrecta de las bisagras o junta deformada.	Colocar bien las bisagras para que la puerta se cierre correctamente. Utilizar una fuente moderada de calor para remodelar la junta. Si el problema continúa, sustituir la puerta. En caso de cajón nevera, utilizar las guías regulables para alinear la puerta.

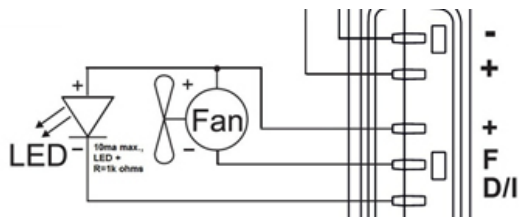
En caso de defectos más complejos que requieren una asistencia especializada, ponerse en contacto con Indel Webasto Marine o con el distribuidor Isotherm local.

8 Led de diagnóstico

La centralita electrónica tiene una función de detección de errores cuando un led se conecta como se muestra a continuación.

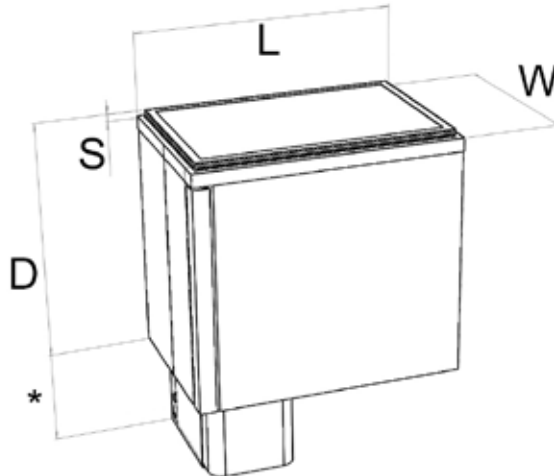
El número de parpadeos indica el tipo de error.

Número de parpadeos del led	Tipo de error	Solución
6	Sonda averiada (la sonda está averiada o no está conectada).	Volver a conectar la sonda y controlar que el compresor funcione de nuevo. Si el compresor no funciona, cambiar la sonda.
5	Protector térmico de la centralita electrónica. (si el sistema de refrigerante se ha cargado demasiado, o la temperatura ambiente es demasiado elevada, la centralita electrónica se sobrecalienta).	Sacar el gas en exceso o aumentar la ventilación.
4	Error velocidad mínima del motor. (si el sistema de refrigerante se ha cargado demasiado, el motor no logra mantener la velocidad mínima de aproximadamente 1.850 RPM).	Sacar el gas en exceso.
3	Error en arranque del motor (el rotor se ha bloqueado o la presión dentro del circuito refrigerante es demasiado alta (> 5 bares). Centralita electrónica defectuosa.	La primera operación es cambiar la centralita electrónica. Si el problema continúa, sustituir el compresor.
2	Ventilador en cortocircuito (el ventilador absorbe más de 1A de la centralita electrónica).	Sustituir el ventilador.
1	Protección de la Batería (la tensión está fuera de los límites de tensión mínima o máxima).	Revisar los cables de alimentación. Si es necesario, cambiarlos por otros nuevos. Revisar la batería.



Manual de uso

9 Dimensiones



Modelo	Ancho (mm) [W]	Longitud (mm) [L]	Profundidad (mm) [D]	Espesor de la puerta (mm) [S]	Cut-Out (mm) W:H	Borde Superior (mm) W:H	Tubos ¹	Notas
BI 29 Dual	342	510+160*	330	35 incluido	344:500	343:499	/	REM
BI 36	240	438	555+160*	35 incluido	442:244	/	+25	REM
BI 40	395	400+160*	400	40 incluido	399:399	415:415	+20	REM
BI 41 Dual	342	497	468+160*	14 incluido	344:500	343:499	/	REM
BI 53F	425	645	470+160*	/	429:649	430:648	+15	REM
BI 75	425	645	470+160*	/	429:649	430:648	+15	REM
BI 92 Dual	480	801	455+160*	/	484:805	484:804	+25	REM

NOTAS:

REM: El aparato se suministra con la posibilidad de desplazar el grupo compresor en función de la longitud de los tubos suministrados.

1: Este valor indica el espacio necesario para la salida de los tubos del aparato, para que puedan doblarse si es necesario.

SEGÚN NORMATIVA Y PARA UN CORRECTO FUNCIONAMIENTO SE RECOMIENDA QUE LAS PAREDES EXTERNAS DE LA NEVERA SE MANTENGAN A LAS SIGUIENTES DISTANCIAS DE LAS PAREDES INTERNAS DEL MUEBLE: 20 mm LAS PAREDES DONDE NO ESTÁ EL COMPRESOR Y 50 mm LAS PAREDES DONDE ESTÁ EL COMPRESOR. SI NO ES POSIBLE RESPETAR ESTAS REGLAS LAS DISTANCIAS MÍNIMAS DEBEN SER 5 mm Y EL MATERIAL DEL QUE ESTÁN HECHAS LAS PAREDES DEBE SER ANTIDFLAGRANTE.

10 Garantía

La garantía de Indel Webasto Marine es conforme con la directiva UE 2019/771.

Periodo de validez

La garantía del producto tiene una validez de 2 años en lo que respecta al coste de mano de obra por reparaciones o sustituciones, pero solo si estas son realizadas por centros de asistencia de la red IWM autorizados.

Para conocer las condiciones específicas de validez en Estados Unidos, póngase en contacto con Indel Webasto Marine USA.

El periodo de validez inicia a partir de:

- a) La fecha de venta indicada en la factura o el comprobante de venta del producto
- b) La fecha de la factura o del documento de matriculación de la primera venta de la barca en que está instalado, si ha sido instalado por el fabricante del medio de locomoción.
- c) En ausencia de uno de los documentos indicados anteriormente, dará fe la semana de fabricación indicada en el S/N (número de serie).

La sustitución de un producto o componente no varía el periodo de validez.

La garantía cubre:

- Sustitución o reparación del producto o de uno o más componentes que se hayan reconocido como defectuosos por defectos de fabricación.
- Avería o defectos de funcionamiento de componentes dentro del periodo de validez de la garantía que se hayan instalado y usado correctamente.
- Mano de obra y gastos de desplazamiento, en el modo que se detalla más adelante.
- Gastos de envío del producto en sustitución (excluidos los gastos por despacho de aduanas).

La garantía no cubre defectos, daños o problemas de funcionamiento debidos a:

- Negligencia, dejadez o uso impropio
- Instalación incorrecta o manipulación sin las debidas precauciones
- Ventilación insuficiente
- Error de conexión eléctrica
- Cables de dimensiones insuficientes
- Mantenimiento incorrecto o realizado por personal no autorizado
- Incumplimiento de prescripciones indicadas en el presente manual de instrucciones
- Daños por transporte
- Gastos por despacho de aduanas
- Objetos sujetos a desgaste

Garantía

- Uso profesional
- Daños causados por agentes atmosféricos
- Los costos de montaje y desmontaje de muebles u otras construcciones.

Datos indispensables para establecer si el caso está cubierto o no por la garantía:

- Código del producto (indicado en la placa de datos situada en el aparato)
- S/N (n° de serie) (indicado en la placa de datos situada en el aparato)
- Factura o recibo de compra (o documento de matriculación, ver apartado Periodo de validez)
- Descripción detallada del defecto. (Si es posible, adjuntar fotografía)
- Descripción de la instalación, muy detallada en lo relacionado con la ventilación y el cableado. (Si es posible, adjuntar fotografía)

(Si se establece que el caso no está cubierto por la garantía, el cliente deberá pagar todos los gastos de reparación, sustitución, mano de obra, desplazamiento de personas y transportes. IWM no estará obligada a correr con ningún gasto.)

Procedimiento de actuación una vez corroborado que el caso está cubierto por la garantía:

La asistencia en garantía sobre los productos instalados en embarcaciones ha de ser exclusivamente prestada por centros de asistencia técnica (CAT) de la red IWM (ver lista en www.indelwebastomarine.com), IWM no cubre los gastos de asistencia si esta ha sido prestada por otros.

De tratarse de un producto instalado en una barca, el técnico del CAT autorizado por IWM va a la barca si esta se encuentra a como máximo a 100 km de distancia del CAT. IWM cubre el coste de dicho desplazamiento. Si la barca se encuentra a más de 100 km, el cliente puede decidir si abonar directamente al técnico el coste del desplazamiento o bien acercar la barca.

Para localizar el servicio técnico más cercano y para los términos de cobertura de los desplazamientos en EE. UU., le rogamos que se ponga en contacto con Indel Webasto Marine USA.

IWM no reembolsa gastos por repuestos adquiridos a terceros.

Productos instalados en Vehículos Recreativos (RV):

Las intervenciones en garantía deben ser realizadas exclusivamente por centros de asistencia de la red Webasto.

El vehículo debe llevarse al centro de asistencia.

Encuentre el centro de asistencia más cercano en www.webasto.com

Para las condiciones de los productos instalados en vehículos recreativos en EE. UU., póngase en contacto con Indel Webasto Marine USA.

Gebruikershandleiding

Inhoudsopgave

1. Handleiding	130
1.1 Milieu	131
1.2 Veiligheidsvoorschriften.....	132
2. Gebruiksaanwijzingen.....	135
2.1 De temperatuur met de thermostaat instellen	135
2.2 Tips voor gebruik	136
3. Onderhoud	137
3.1 Ontdooien	137
3.2 Seizoensgebonden onderhoud.....	137
3.3 Onderhoud voor langere periodes van inactiviteit	138
4 Laagspanningsbeveiliging	138
5 Waarschuwingen Installatie	139
5.1 Installatie.....	141
5.2 Ventilatie	142
5.3 Elektrische aansluitingen	142
5.4 Afmeting van de snoeren	143
5.5 Binnenverlichting (alleen bij voorbereide modellen)	143
6 Technische gegevens (standaard configuratie).....	144
7 Storingen opsporen	145
8 LED voor diagnose	148
9 Afmetingen.....	149
10 Garantie.....	150

1. Handleiding

De handleiding bevat waarschuwingen die de gevaren voor de gebruiker of bijzonder gedrag beschrijven. Deze waarschuwingen zijn als volgt aangegeven:



OPGELET!



Het product niet starten voordat u deze handleiding heeft doorgelezen.

<p>De handleiding verplicht doorlezen Dit symbool geeft aan dat de aanwijzingen moeten worden doorgelezen voordat het product in bedrijf wordt gesteld.</p>	
<p>Afkoppelen verplicht Dit symbool geeft aan dat het product in geval van storingen onmiddellijk van de hoofdvoeding moet worden afgekoppeld</p>	
<p>Handschoenen verplicht Dit symbool geeft aan dat elke monteur de specifieke beschermende handschoenen moet dragen</p>	
<p>Schoenen verplicht Dit symbool geeft aan dat elke monteur veiligheidsschoenen moet dragen om het risico op ongevallen te beperken</p>	
<p>Algemeen gevaar Dit symbool geeft aan dat de monteur goed moet opletten</p>	
<p>Elektrocutiegevaar Dit symbool informeert het personeel dat de beschreven handeling een gevaar voor elektrocutie kan vormen</p>	
<p>Gevaar voor licht op hoge intensiteit Dit symbool geeft aan dat er speciaal moet worden gelet op felle lich- ten met hoge intensiteit, risico op oogletsel.</p>	

Gebruikershandleiding



OPGELET! De handleiding voor naslag bewaren. Het wordt aangeraden om:

- De handleiding te bewaren op een toegankelijke plaats waar ze tegen vocht, warmte en zonlicht wordt beschermd;
- De handleiding zo te gebruiken dat de inhoud ervan niet beschadigd wordt;
- Om geen enkele reden mogen delen uit deze handleiding worden aangepast, gescheurd of verwijderd.

Ondanks de volledigheid van de handleiding en de zorg waarmee ze is opgesteld, kan Indel Webasto Marine S.r.l. niet waarborgen dat de informatie ervan elke mogelijke situatie verbonden aan de installatie van het product behandelt. Daarom raden we u aan om in het geval van twijfel onmiddellijk contact op te nemen met onze technici. Deze handleiding en diens bijlagen moeten volledig aan de nieuwe gebruiker worden overhandigd als het product wordt doorverkocht of aan iemand anders wordt gegeven.




OPGELET! Deze handleiding heeft betrekking op de standaard uitvoering van het product. Machines die afwijken van de standaard kunnen kleine verschillen hebben, die niet in deze handleiding staan beschreven. Neem bij twijfel contact op met de fabrikant.

1.1 Milieu

Dit product stemt overeen met de richtlijn 2002/96/EG met betrekking tot afval van elektrische en elektronische apparatuur (AEEA).

Door de correcte verwijdering van het product vermijdt u negatieve uitwerkingen op de gezondheid en het milieu.




Het symbool  op het product, de verpakking of de handleiding geeft aan dat het niet bij het normale huisvuil mag worden gestopt. Het product moet voor de verwijdering naar een erkend afvalverwerkingsbedrijf voor de recycling van elektrische en elektronische apparatuur worden gebracht. Verwijder het apparaat altijd in overeenstemming met de plaatselijk geldende milieuwet.

Voor overige informatie over de verwijdering, de recycling en het hergebruik van het product, wend u tot de plaatselijke bevoegdheden, afvalverwerkingsbedrijf of de verkoper/distributeur waar u het heeft gekocht.



De verpakking is gemaakt van recyclebaar materiaal. Hierop is het

naar een  kringloopsymbool aangebracht. De verpakking moet dus naar een inzamelbedrijf worden gebracht.

Het symbool geeft aan dat het product overeenstemt met de voorschriften van de Europese Gemeenschap die het gebruik ervan voorzien.



OPGELET! Dit product bevat R134a fluorgas dat het broeikaseffect veroorzaakt. Dit gas is aangebracht in een hermetisch afgesloten systeem dat werkt dankzij de aanwezigheid van dit gas.



OPGELET! Open nooit het koelvloeistofcircuit. Onder normale omstandigheden is het koudemiddel R134a in het product niet-ontvlambaar. Werp het koelmiddel R134a nooit in het milieu.

Wend u tot erkend en voor de hantering van fluorgassen gekwalificeerd personeel bij schade aan het koelcircuit.

1.2 Veiligheidsvoorschriften



OPGELET! Indel Webasto Marine Srl aanvaardt geen aansprakelijkheid voor storingen, persoonlijk letsel en/of materiële schade wegens een ander gebruik van de machine of het gebruik van materialen met andere eigenschappen dan in deze handleiding is beschreven

Onjuist gebruik of gebruik van het product, in tegenstelling tot wat staat aangegeven in deze handleiding mag geen aanleiding geven tot claims tegen de fabrikant en/of leverancier.

Gebruikershandleiding



OPGELET! Het product is uitsluitend geschikt voor het bewaren en/of koelen van levensmiddelen. De levensmiddelen moeten in de originele verpakking of in geschikte houders worden bewaard. Consumeer geen levensmiddelen die over datum zijn om vergiftiging te vermijden.



OPGELET! Wanneer u geneesmiddelen in het product moet opslaan, controleer dan of het apparaat een koelvermogen heeft dat kan voldoen aan de eisen van de desbetreffende medicijnen.



OPGELET! Het doel en de functie van het product bij gebruik als vriezer is alleen om reeds volledig bevroren voedsel ingevroren te houden.

De koelmachine vriest geen voedsel in dat niet bevroren of gedeeltelijk bevroren is. Wanneer een niet-bevroren of gedeeltelijk bevroren voedselproduct in de vriezer worden bewaard wordt dit beschouwd als oneigenlijk gebruik en kan dit mogelijk onbedoeld ontdooien van het voedsel veroorzaken, dat bij inslikken kan leiden tot veiligheidsproblemen, ziekte of letsel.

Het bewaren van niet-bevroren of gedeeltelijk bevroren voedsel in de vriezer kan ook invloed hebben op de kwaliteit van andere diepvriesproducten die in de vriezer zijn opgeslagen.

Blootstelling aan temperaturen boven het temperatuurbereik in de klimaatklasse waarvoor de vriezer wordt gebouwd, stroomonderbrekingen en/of vaak openen van de vriezer, kan de effectiviteit van de koeler en de kwaliteit van de inhoud van de vriezer beïnvloeden.

De gebruiker moet altijd voor het eten de kwaliteit van het voedsel controleren.



OPGELET! Voor langere periodes van inactiviteit moeten alle voedingen



worden losgekoppeld . Laat de deur van het product op een kier staan om lucht in de binnenkant te laten komen en schimmelvorming te voorkomen.



OPGELET! Houd warmtebronnen en vonken buiten het bereik van het product, haal de stekker uit het stopcontact en ventileer de ruimte als het koudemiddel naar buiten stroomt.



OPGELET! Koppel bij storingen het product onmiddellijk van de hoofdvoeding af. Raak beschadigde of niet-geïsoleerde snoeren niet aan als de elektrische voeding geactiveerd is. Dit geldt met name wanneer het product is aangesloten op de netspanning 115V of 230V.

Neem contact op met gekwalificeerd personeel of het dichtstbijzijnde servicecentrum als de voedingskabel schade heeft opgelopen en moet worden vervangen.



OPGELET! Bewaar geen spuitbussen met brandbare stoffen, explosieve materialen, elektrische apparatuur of levende dieren in het product of in de nabijheid van de elektrische onderdelen

Spuitbussen met brandbare stoffen kunnen lekkage van deze gassen hebben die, wanneer ze in contact komen met de elektrische onderdelen, in brand kunnen vliegen of explosies kunnen veroorzaken.

Vermijd vuur of vonken in het product.

Vermijd het gebruik van elektrische apparaten in het product.



OPGELET! Het product mag niet worden gebruikt door kinderen die jonger zijn dan 8 jaar.

Het product kan worden gebruikt door kinderen ouder dan 8 jaar en door personen met verminderde lichamelijke, zintuiglijke of geestelijke vermogens, of zonder ervaring of vereiste kennis, mits onder toezicht of nadat zij zijn geïnstrueerd over het veilige gebruik van het apparaat en kennis hebben van de gevaren die eraan verbonden zijn.

Kinderen mogen niet met het product spelen. Schoonmaak en onderhoud die door de gebruiker moeten worden uitgevoerd mag niet zonder toezicht door kinderen worden gedaan.



OPGELET! Gebruik geen stekkers of schakelaars wanneer uw handen of voeten nat zijn.

Gebruikershandleiding

2. Gebruiksaanwijzingen

De klimaatklasse is aangegeven op het plaatje dat in het toestel is aangebracht.

SN of **uitgebreide gematigde klasse** (omgevingstemperatuur tussen 10°C en 32°C);

N of **gematigde klasse** (omgevingstemperatuur tussen 16°C en 32°C);

ST of **subtropische klasse** (omgevingstemperatuur tussen 16°C en 38°C);

T of **tropische klasse** (omgevingstemperatuur tussen 16°C en 43°C).

2.1 De temperatuur met de thermostaat instellen

De temperatuur van het product wordt geregeld door aan de thermostaatknop te draaien:

Thermostaat A:

1 komt overeen met de hoogste binnentemperatuur, 7 komt overeen met de laagste binnentemperatuur.

Thermostaat B:

De temperatuurwaarden die op de knop staan aangegeven komen overeen met de gewenste gemiddelde binnentemperatuur.

We raden u aan de temperatuur in te stellen op 5-6°C. De buitentemperatuur beïnvloedt de temperatuur van het product. De juiste binnentemperatuur kan daarom moeilijk worden behouden als het product aan warmte en direct zonlicht wordt blootgesteld.

Thermostaatknop



De modellen BI29, BI41 en BI92, genaamd “Dual” hebben de thermostaat B en zowel als koelkast of als vriezers gebruikt kunnen worden, binnen het onderstaande temperatuurbereik:

BI29 Dual van +10°C tot -12°C

BI41 Dual van +10°C tot -10°C

BI92 Dual van +10°C tot -20°C

2.2 Tips voor gebruik

- Indien mogelijk, schakel het product ongeveer 6 uur in voor u er levensmiddelenin plaatst.
- Door het product regelmatig te openen neemt het energieverbruik toe.
- Door een geschikte ventilatie van de compressor en de condensator neemt het energieverbruik aanzienlijk af.
- Sluit het ventilatiesysteem van het product nooit af.
- Het elektrische systeem moet in goede staat zijn, controleer regelmatig de accu's en hun laadniveau. Start de motor altijd met een afzonderlijke startaccu.
- Houd de binnenkant van het product altijd droog en schoon. Verwijder het condenswater uit het lekbakje onder het vriesgedeelte van de koelkast, waar aanwezig.
- Het product is ontworpen met een beveiligingsblokkering die het product bij lage accuspanning beschermt. Volg de aanwijzingen van deze handleiding en/of neem contact op met gespecialiseerde technici of de servicecentra van Indel Webasto Marine Srl als de compressor geblokkeerd raakt.
- De compressor kan werken bij een inclinatie tot 30°. Grotere inclinaties kunnen echter permanente schade aan de compressor veroorzaken.

3. Onderhoud



OPGELET! Voer alleen onderhoudswerkzaamheden uit als het product is uitgeschakeld en losgekoppeld van de stroomvoorziening.

De producten Isotherm Built-In zijn voorzien van een waterdichte koelinstallatie die geen onderhoud of het bijvullen van koudemiddel vereist.

3.1 Ontdooien

Op de verdamper kan ijs ontstaan, aangezien deze bij temperaturen onder het vriespunt functioneert.

De luchtvochtigheid, de temperatuur en het aantal keer dat u de deur opent, zijn aanzienlijk van invloed op de vorming van ijs.

Ontdooi het product als de laag ijs op de verdamper 3-4 mm of dikker is.

Schakel het product uit door aan de thermostaatknop te draaien.

Ontdooi het apparaat als de producten zo lang mogelijk buiten het product gekoeld kunnen blijven. Om schade en het eventueel lekken van het koudemiddel te vermijden, gebruik geen scherpe voorwerpen om het ijs van de verdamper te verwijderen.

Schakel het product pas weer in als u hem ontdooit, schoon- en drooggemaakt heeft. Een aantal modellen hebben een opening aan de onderkant van de binnenbak, om de condens gemakkelijker te kunnen laten ontsnappen. Breng eventueel een handdoek op de bodem van het product aan om tijdens het ontdooien het water sneller op te vangen.

3.2 Seizoensgebonden onderhoud

Seizoensgebonden onderhoud wordt uitgevoerd:

1° Met de reiniging van de condensor. Zo moet u met name het stof afborstelen/ opzuigen dat zich heeft opgehoopt. Gebruik daar een zachte borstel of een stofzuiger voor.

2° Met de reiniging van het reservoir. Maak vooral schoon met lauwwarm water en een neutraal reinigingsmiddel en droog eventueel condens/water op.

3.3 Onderhoud voor langere periodes van inactiviteit

Bewaar het product in de winter in het voertuig. De compressor zal echter niet functioneren bij temperaturen in de buurt van het vriespunt of lager. Wacht bij het afsluiten van het product gedurende langere tijd tot het volledig ontdooit is en verwijder de condens die zich heeft gevormd. Om schade aan het product, de elektrische/mechanische onderdelen en/of schimmelvorming te voorkomen. Het natuurlijk ontdooien kan een aantal minuten tot diverse uren in beslag nemen. Laat de deur van het product als deze uitgeschakeld is open staan, **en ontkoppel alle voedingen.**

4 Laagspanningsbeveiliging

Om te vermijden dat de accu's teveel leeglopen, schakelt een beveiliging de compressor uit als er onvoldoende spanning is. De compressor wordt pas weer ingeschakeld als de spanning van de installatie na het opladen van de accu's toeneemt.

Systeemspanning	Uitschakelspanning	Minimum bedrijfsspanning
12V	9,6 (10,4) V	10,9 (11,7) V
24V	21,3 (22,8) V	22,7 (24,2) V

Als de geleiderbrug in de elektronica tussen C en P wordt verwijderd, gelden de waarden tussen haakjes.



WAARSCHUWINGEN: Controleer altijd of de accu's in optimale staat verkeren, alvorens u het product uitschakelt.

Gebruikershandleiding

5 Waarschuwingen Installatie



OPGELET!



Voor een veilig gebruik, installeer en sluit het product aan in overeenstemming met de aanwijzingen van deze handleiding.



OPGELET!



Tijdens de verplaatsing en installatie van het product altijd PBM (persoonlijke beschermingsmiddelen) dragen.



OPGELET! Degene die wijzigingen verricht aan het product waar de fabrikant niet over is ingelicht, is aansprakelijk voor de eventuele gevolgen van deze wijzigingen. Wijzigingen die zijn verricht zonder toestemming van Indel Webasto Marine Srl maken de garantie en de conformiteitsverklaring met de toepasselijke richtlijnen onmiddellijk ongeldig.



OPGELET! Voor u het product gebruikt, controleer of de elektrische en mechanische onderdelen geen zichtbare schade vertonen.



OPGELET! De leidingen van het koelcircuit niet beschadigen, de stralen koelvloeistof kunnen uw ogen beschadigen.



OPGELET! Als u schade vaststelt, informeer de leverancier onmiddellijk alvorens u het product aansluit.



OPGELET! Laat de voedingskabel door de fabrikant, het servicecentrum of gekwalificeerd personeel vervangen als deze schade heeft opgelopen.



OPGELET! Installeer het product op een droge en spatvrije plaats. Stel de elektrische onderdelen niet aan regen en/of waterstralen bloot.



OPGELET! Installeer het product uit de buurt van gasflessen of LPG-installaties.



OPGELET! Het product moet geïnstalleerd worden in een zone die voor eventueel onderhoud toegankelijk is. De installatieruimte van de delen onder stroom en de groep condensor/compressor moet met een moedwillige handeling worden geopend en mag niet direct toegankelijk zijn.



OPGELET! De installatiezone van het deel compressor/condensor moet natuurlijk gemaakt zijn van vlamtest bestendig materiaal conform EN 603335--1 en moeten op minstens 5 cm van de elektrische en/of elektronische delen zijn aangebracht.



OPGELET! Sluit de eventuele acculader, indien aanwezig, aan op de accu en nooit direct op het product.



OPGELET! Bescherm het product conform de norm "Heavy Current Regulations" tegen indirecte aanrakingen.



OPGELET! Controleer, in het geval van een aansluiting op het elektriciteitsnet in wisselstroom, om ernstig letsel te vermijden. of de installatie voorzien is van een aarding en voorzien van inrichtingen (schakelaars) die de volledige afscheiding van de stroom mogelijk maken en van veiligheidsinrichtingen die in het geval van een defect automatisch ingrijpen.



OPGELET! Raak beschadigde of niet-geïsoleerde snoeren niet aan als de elektrische voeding geactiveerd is. Dit geldt met name wanneer het product is aangesloten op de netspanning 115V of 230V.

Gebruikershandleiding

5.1 Installatie

De Isotherm-producten zijn ontworpen en gebouwd voor een inbouw-installatie.



OPGELET! Het product moet in een horizontale positie worden geïnstalleerd en de compressor moet altijd met de rubberen voetjes aan de onderkant worden geïnstalleerd.

De compressor kan functioneren bij een inclinatie van 30°.



OPGELET! Bij een hogere inclinatie kan de compressor beschadigd raken.

Bij een compressor op afstand, ook deze moet met de rubberen pootjes onderaan worden geplaatst.

Zet het product op een dergelijke wijze vast dat deze niet kantelt/vooruit schuift bij hoge golven of bruuske bewegingen van het vaartuig. Bevestig het product op minstens 2 punten, zie de voorschriften van de norm EN 60335-2-24.

De afdekplaten die bij het product worden geleverd (Afb. 3B) zijn geïsoleerd en voorzien van goede pakkingen, om de goede werking van het product en het behoud van de juiste temperatuur te garanderen, maar hebben geen afgewerkt oppervlak en geen scharnieren of handgrepen.

Installeer een frame om de afdekplaten te installeren (niet meegeleverd door Indel Webasto Marine Srl), zoals te zien is in (Afb. 3A) en eventueel scharnieren en/of handgrepen op het frame te bevestigen.



OPGELET! Zorg ervoor dat de afdekplaat goed sluit, controleer of de kast door de pakking hermetisch wordt afgesloten

5.2 Ventilatie

Zorg ervoor dat de compressor/condensator goed geventileerd wordt, zodat er verse lucht van onder naar binnen kan stromen, en dat de warme lucht via de bovenkant naar buiten kan stromen.

De illustraties (Afb.1-2) tonen een voorbeeld van hoe de inbouwruimte van het product moet zijn voorbereid.

5.3 Elektrische aansluitingen

Neem voor de aansluiting op de elektrische installatie van het vaartuig het volgende in acht:

- Voordat u het product op het elektriciteitsnet aansluit, dient u zich ervan te vergewissen dat de netspanning overeenkomt met de op het typeplaatje aangegeven spanning.
- Sluit het product direct aan op de accu of op de hoofdschakelaar en controleer of de installatie is voorzien van een elektrisch systeem dat het circuit tegen overbelasting beschermt.

Installeer een automatische differentieelschakelaar ΔI 0,03A als de voedingsspanning niet 12/24Vdc is. Vermijd de aansluiting op de schakelkast van het vaartuig om spanningsdaling te vermijden.

- Breng voor het product een zekering aan (zie de onderstaande tabel). Sluit de rode draad aan op de positieve pool en de zwarte draad op de negatieve pool van de elektrische installatie. Gebruik een geklonken klem die voor de afmeting van de kabel geschikt is.
- Monteer voor het product een afzonderlijke schakelaar die tegelijkertijd de voedingskabels ontkoppelt, controleer of deze geschikt is voor de lading aangeduid in de onderstaande tabel.

Modellen	12Vdc	24Vdc
BI29Dual, BI36, BI40, BI41Dual, BI53F, BI75, BI92Dual	15A	7,5A



OPGELET! Sluit de eventuele acculader, indien aanwezig, aan op de accu en nooit direct op het product.

Alle elektrische schema's zijn te vinden aan het einde van de handleiding.

Gebruikershandleiding

5.4 Afmeting van de snoeren

Gebruik altijd snoeren met een passende diameter. Hieronder treft u een tabel met de minimum waarden:

Diameter mm ²	Doorsnede AWG	Max. lengte snoer 12V m/ft	Max. lengte snoer 24V m/ft
2.5	13	2.5/8	5/16
4	11	4/13	8/26
6	9	6/19	12/39
10	7	10/33	20/66

5.5 Binnenverlichting (alleen bij voorbereide modellen)

Vervang het LED-lampje door het glas van de verlichting met behulp van het speciale staafje omlaag te drukken. Vervang het lampje en hermonteer het glas (Afb. 4.-5).

Gebruik alleen originele reserveonderdelen van Indel Webasto Marine Srl.

6 Technische gegevens (standaard configuratie)

Bedrijfsspanning: 12 of 24 Vdc

Het vermelde verbruik werd gemeten met een binnentemperatuur van + 5°C en een buitentemperatuur van 25°C zoals wordt vereist door de ISO-normen 15502: 2005 en EN 153: 2006

Het gemiddelde verbruik wordt aanzienlijk beïnvloed door de manier waarop u het product gebruikt en de soort ventilatie.

Het type en de hoeveelheid gas in de installatie staan op het gegevensplaatje van het product aangegeven.

De producten stemmen overeen met de van kracht zijnde EMC-richtlijn en zijn voorzien van de CE-markering.

Model	Onmiddellijk verbruik 12/24Vdc (Ampère)	Onmiddellijk verbruik 12/24Vdc (Watt)	Gemiddeld verbruik bij 25°C (Wh/24h)
BI 29 Dual	6.0/3,0	72	250
BI 36	6.0/3,0	72	350
BI 40	6.0/3,0	72	270
BI 41 Dual	6.0/3,0	72	270
BI 53F	7.0/3,5	85	260
BI 75	6.0/3,0	72	340
BI 92 Dual	7.0/3,5	85	360

Gebruikershandleiding

7 Storingen opsporen

Alle werkzaamheden aan de elektrische onderdelen of aan de elektrische aansluitingen en het koelcircuit moeten door gekwalificeerd en erkend personeel worden uitgevoerd.

Let op: Koppel de stroomvoorziening af voordat er werkzaamheden aan de elektrische onderdelen of de elektrische aansluitingen worden uitgevoerd.

Defect	Mogelijke oorzaak	Ingrep
Het product koelt niet, de compressor start niet op.	Geen stroom. Accu in slechte staat. Thermostaat defect. Elektronische regeleenheid defect.	Controleer of de elektronische regeleenheid gevoed wordt en voldoende spanning ontvangt, controleer de zekering. Controleer of de binnenverlichting functioneert en of de compressor gevoed wordt. Controleer de snoeren, de klemmen en connectoren. Controleer of de accu correct wordt opgeladen. Controleer de thermostaat: Verbind T - C met een apart snoer. Als de compressor niet opstart, is de elektronica zeer waarschijnlijk defect. Vervang de elektronica. Als de compressor met de geleiderbrug opstart, is de thermostaat defect. Vervang de thermostaat.
De compressor doet slechts korte pogingen om op te starten.	Door onvoldoende spanning of spanningsdaling tijdens het starten wordt de beveiliging geactiveerd. Accu's leeg.	Controleer de snoeren en verbindingen, verwijder eventuele corrosie of roest. Laad de accu's op, start de motor of sluit de acculader aan.
De compressor functioneert maar koelt niet.	De verdamer of de leiding lekt koudemiddel. Leidingen verstopt.	Verricht een lektest en repareer eventuele lekken, zuig het koudemiddel op en vul de juiste hoeveelheid bij. (Laat deze handeling door een technicus verrichten.)
De compressor functioneert lang maar koelt onvoldoende (beperkte efficiëntie).	Onvoldoende ventilatie, condensator oververhit. De ventilator functioneert niet. Te veel ijs op de verdamer. Het deurtje sluit niet goed, vochtige en warme lucht stroomt naar binnen. Condensator door stof verstopt	Laat de ventilatie toenemen. Vervang de ventilator. Ontdooien. Corrigeer de stand van de deur en controleer de pakking. Maak de condensator schoon.

De zekering springt.	Verkeerde zekering. Elektronische regeleenheid defect.	Controleer de zekering zie tabel in de paragraaf 4.4. Vervang de elektronische regeleenheid.
De compressor werkt met tussenpozen.	Lege accu of elektrische kabels in slechte staat.	Controleer de status van de bedrading en zoek naar trage verbindingen, roest of kopergroen. Als de bedrading moet worden vervangen raadpleeg dan de handleiding voor de juiste afmeting. Als de bedrading in goede staat verkeert controleer dan de werking van de accu; als deze in slechte staat is moet het vervangen worden.
De compressor stopt nooit (correcte uitvoering van de koelkast)	Verkeerde aansluiting van de thermostaat op de elektronische regeleenheid. Thermostaat gebroken. Condensatie werkt niet correct, verdamper koelt af maar niet genoeg om de thermostaat de compressor te laten stoppen.	Draai de thermostaat in de uit-stand, als de koelkast blijft draaien, dan is er continuïteit in de regeleenheid. Corrigeer het probleem op de thermostaataansluitingen (controleer op de elektronische regeleenheid of het de aansluiting op de C en P en niet in de C en T is). Draai de thermostaat in de uit-stand; als de compressor wordt uitgeschakeld, maar het onmogelijk is om de temperatuur van de thermostaat af te stellen deze vervangen of het koelsysteem opnieuw laden.
De compressor stopt nooit (slechte uitvoering van de koelkast)	Omgeving erg warm + onvoldoende ventilatie of weinig gas in het koelcircuit.	Controleer de ventilatie, de compressor moet op een plek waar sprake is van een goede ventilatie worden geïnstalleerd. Wanneer de koelkast uit de installatie-opening kan worden verwijderd, als de koelkast beter functioneert, verbeter dan de ventilatie en raadpleeg de handleiding voor de juiste installatie. Indien de ventilatie optimaal is controleer dan of er gas in het systeem is en neem contact op met een gespecialiseerd technicus.
Het vriesvak is koud, maar de koelruimte niet	Onvoldoende ventilatie, weinig gas in het koelcircuit, stroomvoorziening niet continu.	Controleer de ventilatie, de compressor moet op een plek waar sprake is van een goede ventilatie worden geïnstalleerd. Wanneer de koelkast uit de installatie-opening kan worden verwijderd, als de koelkast beter functioneert, verbeter dan de ventilatie en raadpleeg de handleiding voor de juiste installatie. Controleer de staat van de elektrische aansluitingen en van de accu. Indien de ventilatie optimaal is controleer dan of er gas in het systeem is en neem contact op met een gespecialiseerd technicus.

Gebruikershandleiding

Overtollig ijs op de verdamper.	Er komt vocht in het product	Controleer de staat van de pakking aan alle vier zijden van de deur, de pakking moet het meubel perfect afsluiten. Wanneer de ijsvorming aan een kant dikker is, komt de waterinfiltratie in de koelkast waarschijnlijk van die kant. Gebruik een matige warmtebron om de pakking op zijn plaats te brengen. Als het onmogelijk is om de pakking op zijn plaats te krijgen, vervang dan de hele deur.
De koelkast koelt te hard.	De thermostaatsonde is teveel afgedekt of slecht geplaatst.	Het uiteinde van de sonde moet contact maken met de verdamper, plaats de sonde in de juiste positie. Als de koelkast teveel blijft koelen de thermostaat vervangen.
De compressor is luidruchtiger dan normaal.	De compressor zit niet goed op de steun of raakt de muur/wand aan.	Controleer of de schroeven van de compressor goed zijn vastgedraaid en of ze nergens contact mee maken. De compressor trilt en als er iets mee in contact komt wordt het trillen erger.
De ventilator(s) is/zijn luidruchtiger dan normaal.	De ventilatorstructuur is gevouwen, of de ventilator is kapot.	Verwijder de klemmen/schroeven die zijn gebruikt om de ventilator vast te zetten. Als de ventilator lawaai blijft maken deze vervangen. Controleer of elk deel van de ventilator intact is, als er een of meer vinnen ontbreken de ventilator vervangen.
De binnenverlichting gaat niet branden.	Omgekeerde polariteit of gebroken lamp.	Controleer de polariteit van de lamp. Als de polariteit juist is dan het lampje vervangen.
Deur/lade sluit niet goed.	Verkeerde positie van de scharnieren of vervormde pakking	De scharnieren opnieuw plaatsen, zodanig dat de deur goed sluit. Gebruik een matige warmtebron om de pakking opnieuw op zijn plaats te brengen. Als het probleem aanhoudt, vervang dan de deur. Gebruik bij koelkasten met lade de verstelbare geleiders om de deur uit te lijnen.

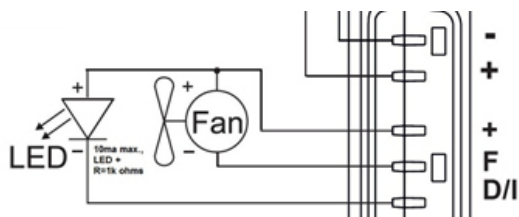
Wend u bij complexere problemen tot Indel Webasto Marine of uw plaatselijke Isotherm verkoper.

8 LED voor diagnose

De elektronische regeleenheid dient voor het zoeken naar fouten wanneer een LED is aangesloten, zoals hieronder wordt getoond.

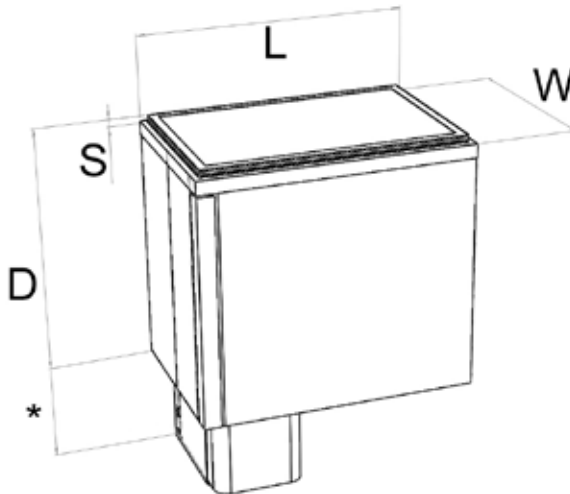
Het aantal knipperingen geeft het type fout aan.

Aantal knipperingen van de LED	Type fout	Oplossing
6	Defecte sensor (de sensor is defect of niet aangesloten).	Sluit de sonde opnieuw aan en controleer of de compressor opnieuw werkt. Als de compressor niet werkt de sonde vervangen.
5	Thermische beveiliging van de elektronische regeleenheid. (de elektronische regeleenheid raakt oververhit als het koelsysteem overbelast is of de omgevingstemperatuur te hoog is)	Verwijder overtollig gas of verhoog de ventilatie.
4	Fout minimum snelheid van de motor. (als het koelsysteem teveel geladen is kan de motor de minimum snelheid van ongeveer 1850 RPM niet handhaven).	Verwijder overtollig gas.
3	Startfout motor De rotor wordt geblokkeerd of de druk in het koelsysteem is te hoog (> 5 bar) Elektronische regeleenheid defect.	De eerste handeling is het vervangen van de elektronische regeleenheid. Als het probleem aanhoudt, vervang dan de compressor.
2	Ventilator heeft kortsluiting (De ventilator absorbeert meer dan 1A uit de elektronische regeleenheid).	Vervang de ventilator.
1	Accubescherming (het voltage ligt buiten de minimale en maximale voltages).	Controleer de toestand van de voedingskabels. Eventueel vervangen door nieuwe kabels. Controleer de conditie van de accu.



Gebruikershandleiding

9 Afmetingen



Model	Breedte (mm) [W]	Lengte (mm) [L]	Diepte (mm) [D]	Dikte deur (mm) [S]	Cut-Out (mm) W:H	Bovenste rand (mm) W:H	Leidingen ¹	Opmerkingen
BI 29 Dual	342	510+160*	330	35 inclusief	344:500	343:499	/	REM
BI 36	240	438	555+160*	35 inclusief	442:244	/	+25	REM
BI 40	395	400+160*	400	40 inclusief	399:399	415:415	+20	REM
BI 41 Dual	342	497	468+160*	14 inclusief	344:500	343:499	/	REM
BI 53F	425	645	470+160*	/	429:649	430:648	+15	REM
BI 75	425	645	470+160*	/	429:649	430:648	+15	REM
BI 92 Dual	480	801	455+160*	/	484:805	484:804	+25	REM

NOTE:

REM: Het product wordt geleverd met de mogelijkheid om de compressorgroep te verplaatsen, afhankelijk van de lengte van de geleverde leidingen.

1: Deze waarde geeft aan hoeveel ruimte er nodig is om de leidingen uit het product te laten komen, voor een eventuele vouw.

VOOR OVEREENSTEMMING MET DE NORMEN EN EEN CORRECTE FUNCTIONERING RAADT MEN AAN DAT DE BUITENWANDEN VAN DE KOELKAST DE VOLGENDE AFSTANDEN TOT DE BINNENWANDEN VAN HET MEUBEL VERTONEN: 20mm OP DE WANDEN WAAR GEEN COMPRESSOR ZIT EN 50mm OP DE WANDEN WAAROP DE COMPRESSOR ZIT. ALS DEZE REGELS NIET KUNNEN WORDEN NAGELEEFD, MOET DE MINIMUM AFSTAND 5mm BEDRAGEN EN MOET HET MATERIAAL VAN DE WANDEN EXPLOSIEVAZT ZIJN

10 Garantie

De garantie van Indel Webasto Marine stemt overeen met de EU-richtlijn 2019/771.

Geldigheid

De garantie van het product heeft een duur van 2 jaar. In deze periode worden de arbeidskosten voor de reparaties en/of vervangingen gedekt, mits de werkzaamheden worden verricht door erkende servicecentra van IWM.

Voor specifieke geldigheidsvoorwaarden in de VS kunt u contact opnemen met Indel Webasto Marine USA.

De geldigheid loopt vanaf:

- a) De verkoopdatum die is aangegeven op de factuur of de kassabon
- b) De datum op de factuur of het registratiebewijs van de eerste verkoop van de boot waarin het apparaat is geïnstalleerd als dit door de fabrikant van het voertuig is verricht.
- c) De productieweek geldt als de genoemde documenten ontbreken gegeven in het S/N (serienummer)

De geldigheid wijzigt niet als het product of een component ervan wordt vervangen.

De garantie dekt:

- De reparatie of vervanging van het product of een of meer componenten die fabricagefouten vertonen.
- De breuk of slechte functionering van componenten binnen de geldigheid van de garantie, ondanks de correcte installatie of een correct gebruik.
- Arbeids- en reiskosten op de onderstaande modi.
- Verzendkosten van het vervangen product (vrijmakingskosten uitgesloten)

De garantie dekt geen defecten, schade of storingen veroorzaakt door:

- Nalatigheid, slechte zorg of oneigenlijk gebruik
- Een verkeerde installatie of een onvoorzichtige verplaatsing
- Onvoldoende ventilatie
- Verkeerde elektrische aansluiting
- Draden met een verkeerde afmeting
- Verkeerd onderhoud of onderhoud door onbevoegd personeel
- Niet-naleving van alle voorschriften van deze handleiding
- Transportschade
- Vrijmakingskosten
- Slijtagegevoelige voorwerpen, zekeringen, enz.
- Professioneel gebruik

Garantie

- Schade voor weersinvloeden
- De kosten voor monteren en de-monteren van meubels of andere constructies.

Belangrijke informatie voor de bepaling of de situatie door de garantie wordt gedekt:

- Productcode (aangegeven op het label op het product)
- S/N (serienummer) (aangegeven op het label op het product)
- Factuur of aankoopbewijs (of het registratiebewijs, zie hierboven in het hoofdstuk Geldigheid)
- Gedetailleerde beschrijving van het defect. (Wanneer mogelijk een foto bijvoegen)
- Beschrijving van de installatie met vermelding van de ventilatie en de bekabeling. (Wanneer mogelijk een foto bijvoegen)

(De klant moet alle eventuele arbeids-, reis- en verblijfskosten en de kosten voor de reparatie, vervanging en verzending betalen als vastgesteld wordt dat de situatie niet door de garantie wordt gedekt. In dit geval is IWM niet verplicht om de kosten te dragen.)

Operationele procedures die toegepast moeten worden nadat is vastgesteld dat het geval onder de garantie valt:

Reparaties onder garantie aan producten die in boten zijn geïnstalleerd mogen uitsluitend door servicecentra (CAT) van het netwerk IWM worden uitgevoerd (zie lijst op www.indelwebastomarine.com). IWM dekt niet de kosten van reparaties die door anderen zijn gedaan.

Voor een product dat in een boot is geïnstalleerd gaat de door IWM erkende technicus van de CAT naar de boot als deze zich op een afstand van maximaal 100 km van de CAT bevindt. IWM dekt de kosten van deze verplaatsing. Als de boot zich op meer dan 100 km bevindt kan de klant kiezen of hij de kosten van de verplaatsing van de technicus betaalt (in dit geval betaalt hij de technicus rechtstreeks), of de boot dichterbij laat komen.

Voor het dichtstbijzijnde servicepunt en de reisdekkingsvoorwaarden in de VS, kunt u contact opnemen met Indel Webasto Marine USA.

IWM vergoedt geen kosten voor onderdelen die elders zijn gekocht.

Producten geïnstalleerd in Recreatievoertuigen (RV)

Reparaties onder garantie mogen uitsluitend worden uitgevoerd door servicecentra van het netwerk van Webasto.

Het voertuig moet naar het servicecentrum worden gebracht.

Zoek het dichtstbijzijnde servicecentrum op www.webasto.com

Voor de staat van de producten die geïnstalleerd zijn in recreatieve voertuigen in de VS, kunt u contact opnemen met Indel Webasto Marine USA.

Käyttöohje

Yhteenvedo

1. Käyttöohje	154
1.1 Ympäristö	155
1.2 Turvallisuusohjeet.....	156
2. Käyttöohjeet.....	159
2.1 Lämpötilan säätäminen termostaatilla.....	159
2.2 Käyttöä koskevat suositukset	160
3. Huolto	161
3.1 Sulattaminen	161
3.2 Säännöllinen kunnossapito	161
3.3 Kunnossapito kun laite on pois käytöstä pitkään	162
4 Matalajännitesuoja.....	162
5 Asennusta koskevat varoitukset.....	163
5.1 Asennus.....	165
5.2 Tuuletus.....	166
5.3 Sähköliitännät.....	166
5.4 Sähköjohtojen mitat	167
5.5 Sisävalaistus (vain malleissa joissa kyseinen valmius).....	167
6 Tekniset tiedot (standardi kokoonpano).....	168
7 Vianmääritys	169
8 Vianmäärityksen LED-valo	172
9 Mitat	173
10 Takuu.....	174

1. Käyttöohje

Ohjekirja varoittaa käyttäjää olemassa olevista vaaroista ja antaa toimintaohjeita. Kyseiset varoitukset on merkitty seuraavasti:



HUOMIO!



Tuotetta ei saa käynnistää ennen kuin nämä ohjeet on luettu.

<p>Lue ohjeet Tämä symboli ilmoittaa, että ohjeet on luettava ennen tuotteen käyttöönottoa.</p>	
<p>Irrota pistoke sähköverkosta Tämä symboli ilmoittaa, että tuote tulee irrottaa välittömästi sähköverkosta vian esiintyessä</p>	
<p>Käytä suojakäsineitä Tämä symboli ilmoittaa, että käyttäjän tulee käyttää asianmukaisia suojakäsineitä</p>	
<p>Käytä jalkineita Tämä symboli ilmoittaa, että käyttäjän tulee käyttää asianmukaisia jalkineita tapaturmien välttämiseksi</p>	
<p>Yleinen vaara Tämä symboli ilmoittaa vaaratilanteesta, joka vaatii erityistä tarkkaavaisuutta</p>	
<p>Sähköiskuvaara Tämä symboli ilmoittaa, että on olemassa sähköiskun vaara</p>	
<p>Voimakkaan valon vaara Tämä symboli varoittaa voimakkaista valoista, jotka voivat aiheuttaa näkövammoja.</p>	

Käyttöohje



HUOMIO! Ohjekirja tulee säilyttää tulevia käyttökertoja varten. Suositukset:

- Säilytä ohjekirjaa helppopääsyisessä paikassa, jossa se on suojattu lämmöltä ja suoralta auringonvalolta.
- Varo vahingoittamasta osittaistakin ohjekirjan sisältöä.
- Tämän ohjekirjan mitään osaa ei saa missään tapauksessa poistaa, repiä tai muuttaa.

Tämä ohjekirja on laadittu mahdollisimman tarkasti ja huolellisesti, siitä huolimatta Indel Webasto Marine S.r.l. ei takaa näiden tietojen soveltuvuutta kaikkiin tuotesennuksiin. Mikäli epäselvyyksiä ilmenee, ota välittömästi yhteyttä teknikkoihimme. Jos tuote myydään tai luovutetaan toiselle henkilölle, tämä ohjekirja sekä vastaavat liitteet tulee toimittaa ehjänä laitteen uudelle käyttäjälle.




HUOMIO! Tämä ohjekirja viittaa tuotteen vakioversioon. Vakioversioista poikkeavissa koneissa voi esiintyä pieniä eroavaisuuksia, joita ei ole kuvattu tässä ohjekirjassa. Mikäli epäilyksiä esiintyy, käänny valmistajan puoleen.

1.1 Ympäristö

Tämä tuote täyttää sähkö- ja elektronisia laitteita koskevan direktiivin 2002/96/EY (RAEE) vaatimukset.

Tuotteen oikeaoppinen hävitys on oleellisen tärkeää mahdollisten ympäristö- ja terveysvaarojen välttämiseksi.



Tuotteessa, pakkauksessa tai vastaavissa asiakirjoissa oleva symboli  osoittaa, ettei laitetta saa hävittää kotitalousjätteen mukana. Tuote tulee toimittaa valtuutettuun sähkö- ja elektronisten laitteiden kierrätyskeskukseen. Hävitä tuote aina paikallisia jättemääräyksiä noudattamalla.

Kysy lisätietoa tuotteen hävittämisestä, kierrätyksestä ja uudelleen käytöstä paikallisilta viranomaisilta, kierrätyskeskukselta tai jälleenmyyjältä/jakelijalta, jolta tuote hankittiin.



Pakkausmateriaali on valmistettu kierrätettävästä materiaalista. Se sisältää kierrätysmerkin ja materiaali tulee toimittaa kierrätyspisteeseen.



Merkki osoittaa, että tuote täyttää kaikki EU:n vaatimukset sen käyttöä koskien.



HUOMIO! Tämän tuotteen ilmatiivis järjestelmä sisältää fluorattua kasviuonekaasua R134a ja sen toiminta riippuu kyseisestä kaasusta.



HUOMIO! Älä koskaan avaa jäähdytyspiiriä. Tuotteen jäähdytysaine R134a ei ole syttyvää normaaleissa olosuhteissa. Älä koskaan päästä R134a-jäähdytysainetta ympäristöön.

Mikäli jäähdytysaineputkisto vaurioituu, ota yhteyttä hyväksytyyn alan asiantuntijaan fluorattujen kaasujen käsittelemiseksi.

1.2 Turvallisuusohjeet



HUOMIO! Indel Webasto Marine Srl ei ota vastuuta toimintahäiriöistä tai henkilö-/omaisuusvahingoista, jotka johtuvat näistä ohjeista poikkeavasta koneen käytöstä tai määrittämisistä poikkeavien materiaalien käytöstä.

Valmistaja ja/tai jälleenmyyjä ei ota vastuuta vahingoista, jos tätä tuotetta käytetään virheellisesti tai näistä ohjeista poikkeavasti.

Käyttöohje



HUOMIO! Tuote sopii vain elintarvikkeiden säilyttämisen ja/tai ylläpitämiseen. Elintarvikkeita tulee säilyttää alkuperäisessä pakkauksessa tai asianmukaisissa astioissa. Älä käytä elintarvikkeita, joiden parasta ennen päivämäärä on mennyt umpeen. Muutoin seurauksena voi olla myrkytys.



HUOMIO! Jos tuotteen sisällä halutaan säilyttää lääkkeitä, tarkista, että sen jäädytysteho on riittävä lääkkeiden säilytysvaatimuksiin.



HUOMIO! Pakastimena käytetyn tuotteen tarkoituksena on ainoastaan säilyttää pakasteet pakastettuina.

Jääkaappi ei jäädytä elintarvikkeita, joita ei ole jäädytetty aikaisemmin tai jotka ovat sulaneet osittain. Jos muuta kuin jäädyntynyttä tai osittain sulanutta tuotetta säilytetään pakastimessa, käyttö on väärinkäyttöä ja tuotteet voivat sen seurauksena sulaa tahtomatta aiheuttaen turvallisuus-, sairastumis- tai onnettomuusvaaroja tuotteita kuluttaessa.

Jos pakastimessa säilytetään muuta kuin jäädyntynyttä tai osittain sulanutta tuotetta, se voi vaikuttaa myös muiden pakastimessa olevien elintarvikkeiden laatuun.

Pakastimen lämpötilavälin ylittävät ympäristölämpötilat, virransyötön keskeytykset ja/tai pakastimen tiheä avaaminen voivat vaikuttaa jääkaapin tehokkuuteen ja pakastimen sisällön laatuun.

Käyttäjän tulee aina tarkistaa elintarvikkeiden laatu ennen niiden kuluttamista.



HUOMIO! Kun tuote on pitkään pois käytöstä, kytke irti kaikki virransyötöt. Jätä tuotteen luukku hivenen auki sen sisätilan raikastamiseksi ja homeen muodostumisen estämiseksi.





HUOMIO! Poista kaikki lämpö- ja kipinälähteet tuotteen läheltä, irrota pistoke pistorasiasta ja tuuleta tila huolellisesti, jos jäähdytysainetta vuotaa.



HUOMIO! Irrota tuote välittömästi sähköverkosta, jos siinä havaitaan vikoja. Älä koske mahdollisiin vaurioituneisiin tai eristämättömiin sähköjohtoihin, kun laite on kytketty pistorasiaan. Tämä koskee erityisesti tuotetta, joka on liitetty verkkojännitteeseen 115V tai 230V.

Jos virtajohto on vaurioitunut, se tulee vaihtaa. Ota tällöin yhteyttä pätevään asiantuntijaan tai lähimpään huoltoliikkeeseen.



HUOMIO! Tuotteessa tai sen sähköosien lähellä ei saa säilyttää seuraavia: syttyvät suihkepullot, räjähdysalttiit materiaalit, sähkölaitteet, eläimet.

Syttyviä aineita sisältävät suihkepullot voivat vuotaa, ja ne voivat syttyä palamaan tai räjähtää ollessaan kosketuksissa sähköosiin.

Älä päästä tulta tai kipinöitä tuotteen sisälle.

Vältä sähkölaitteiden käyttöä tuotteen sisällä.



HUOMIO! Alle 8-vuotiaat lapset eivät saa käyttää tuotetta.

Tuotteen käyttö on sallittu yli 8-vuotiaille lapsille ja sellaisille henkilöille, joiden fyysinen, aisteihin liittyvä tai henkinen toimintakyky on rajoittunut tai joilla ei ole kokemusta tai tietoa laitteen käytöstä sillä ehdolla, että heitä valvotaan ja opastetaan kaukosäätimen turvalliseen käyttöön liittyen ja että he tuntevat sen käyttöön liittyvät vaarat.

Lapset eivät saa leikkiä tuotteella. Lapset eivät saa suorittaa käyttäjän puhdistus- ja huoltotoimenpiteitä ilman valvontaa.



HUOMIO! Pistokkeita tai kytkimiä ei saa käsitellä, jos kädet tai jalat ovat märkiä.

Käyttöohje

2. Käyttöohjeet

Ilmastoluokka on merkitty laitteen sisällä olevaan tunnuskilpeen.

SN tai **laaja lauhkean ilmaston luokka** (ympäristölämpötila 10 °C - 32 °C).

N tai **lauhkean ilmaston luokka** (ympäristölämpötila 16 °C - 32 °C).

ST tai **subtrooppisen ilmaston luokka** (ympäristölämpötila 16 °C - 38 °C).

T tai **trooppisen ilmaston luokka** (ympäristölämpötila 16 °C - 43 °C).

2.1 Lämpötilan säätäminen termostaatilla

Tuotteen lämpötilaa säädetään kääntämällä termostaatin nuppia:

- Termostaatti A:

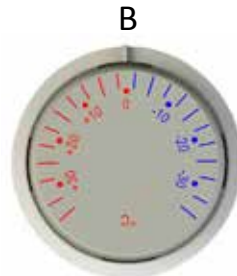
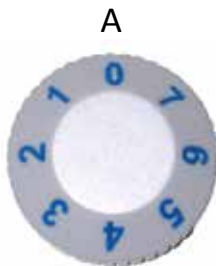
1 vastaa korkeinta sisälämpötilaa, 7 matalinta sisälämpötilaa.

- Termostaatti B:

Nupissa osoitetut lämpötila-arvot vastaavat keskimääräistä sisälämpötilaa.

Tuotteen suositeltava lämpötila on 5-6 °C. Ulkolämpötila vaikuttaa tuotteen lämpötilaan, jolloin oikean sisälämpötilan säilyttäminen voi olla vaikeaa, jos se altistuu kuumuudelle ja suoralle auringonvalolle.

Termostaatin säädin



Malleissa BI29, BI41 ja BI92, joita kutsutaan "Dual"-malleiksi, on termostaatti B ja niitä voidaan käyttää sekä jääkaappina että pakastimena seuraavissa lämpötiloissa:

BI29 Dual: +10 °C - -12 °C

BI41 Dual: +10 °C - -10 °C

BI92 Dual: +10 °C - -20 °C.

2.2 Käyttöä koskevat suositukset

- Jos mahdollista, käynnistä tuote noin 6 tuntia ennen elintarvikkeiden asettamista sen sisälle.
- Tuotteen toistuva avaaminen aiheuttaa suuremman sähkönkulutuksen.
- Kompessorin ja lauhduttimen riittävä tuuletus vähentää huomattavasti energiankulutusta.
- Älä koskaan tuki tuotteen tuuletusjärjestelmää.
- Sähköjärjestelmän on oltava hyväkuntoinen; tarkista säännöllisesti akut ja niiden lataustaso. Käytä aina käynnistysakkua, joka on erillään moottorista.
- Pidä tuotteen sisäosa aina puhtaana ja kuivana. Poista lauhdevesi jääkaapin pakastinlokeron alapuolella olevasta mahdollisesta tippa-alustasta.
- Tuotteessa on suojausyksikkö, joka suojaa tuotetta, jos akun jännite on alhainen. Jos kompressorin lukittuu, noudata tämän ohjekirjan ohjeita ja/tai ota yhteyttä alan ammattilaisiin tai Indel Webasto Marine Srl -yhtiön huoltopalveluun.
- Kompessori voi toimia jopa 30° kaltevuudessa, sitä suuremmat kulmat voivat aiheuttaa pysyviä vaurioita kompressorin.

Käyttöohje

3. Huolto



HUOMIO! Suorita huoltotoimenpiteet vain kun tuote on sammutettu ja kytketty irti virransyötöstä.

Isotherm Built-In -tuotteet on varustettu tiiviillä jäähdytysjärjestelmällä, joka ei vaadi huoltoa tai jäähdytysaineen lisäämistä.

3.1 Sulattaminen

Koska haihdutin toimii jäätympisteeseen nähden alemmissa lämpötiloissa, se päälle muodostuu jäätä ja huurretta.

Ilmankosteus, lämpötila ja oven avauskertojen määrä vaikuttavat huomattavasti huurteen muodostumiseen.

Sulata tuote aina, kun haihduttimen huurteen paksuus on 3-4 mm tai sitä suurempi.

Sammuta tuote kääntämällä termostaatin nuppia.

Suorita sulatus, kun tuotteita voidaan pitää mahdollisimman pitkään viileässä tuotteen ulkopuolella. Älä poista jäätä ja huurretta haihduttimesta teräväpäisillä esineillä, sillä se voi vaurioitua ja aiheuttaa jäähdytysainevuotoja.

Käynnistä tuote uudelleen vasta sitten, kun se on sulatettu, puhdistettu ja kuivattu huolellisesti. Joidenkin mallien sisäaltaan pohjassa on reikä lauhdeveden poistoa varten. Aseta sulatuksen aikana tarvittaessa pyyhe tuotteen tilan pohjalle veden parempaa keräämistä varten.

3.2 Säännöllinen kunnossapito

Säännöllinen kunnossapito suoritetaan:

1. Puhdistamalla lauhdutin Erityisesti on harjattava/imuroitava kaikki pölykertymät. Käytä pehmeää harjaa ja imuria.
2. Puhdistamalla sisäkammio. Erityisesti pese haalealla vedellä ja miedolla pesuaineella ja pyyhi aina lauhdevesi/vesijäämät.

3.3 Kunnossapito kun laite on pois käytöstä pitkään

Talvella tuotetta on säilytettävä ajoneuvon sisällä, mutta kompressorin ei toimi 0 °C tai sitä alhaisemmissa lämpötiloissa. Kun tuote sammutetaan pidempiä ajanjaksoja varten on tarpeen odottaa sen täydellistä sulamista ja poistaa muodostunut lauhdevesi. Tuotteelle, sähköisille/mekaanisille komponenteille syntyvien vahinkojen ja/tai homeen muodostumisen välttämiseksi. Luonnollinen sulatusaika voi vaihdella muutamasta minuutista useisiin tunteihin. Kun tuote on sammutettu, ovi tulee jättää raolleen tuuletusasentoon ja **kaikki syöttöjärjestelmät on katkaistava**.

4 Matalajännitesuoja

Jotta akkujen liiallinen purkautuminen vältettäisiin suojajärjestelmä sammuttaa kompressorin, jos jännite on riittämätön, ja käynnistää sen vasta sitten, kun järjestelmän jännite nousee akkujen latauksen seurauksena.

Järjestelmän jännite	Sammutuksen jännite	Toiminnan minimijännite
12 V	9,6 (10,4) V	10,9 (11,7) V
24 V	21,3 (22,8) V	22,7 (24,2) V

Jos hyppijohdin poistetaan elektroniikasta osioiden C ja P väliltä, suluissa olevat arvot ovat voimassa.



HUOMIO: Ennen tuotteen käynnistämistä tulee aina tarkistaa, että akkujen kunto on optimaalinen.

Käyttöohje

5 Asennusta koskevat varoitukset



HUOMIO!



Varman toiminnan takaamiseksi tuote tulee asentaa ja liittää näitä ohjeita noudattaen.



HUOMIO! Henkilökohtaisia suojavarusteita



tulee käyttää

aina tuotteen siirtämisen ja asentamisen aikana.



HUOMIO! Mikäli tuotteeseen tehdään muutoksia ilmoittamasta niistä valmistajalle, täysi vastuu on muutokset suorittavalla henkilöllä. Mikäli laitteeseen tehdään muutoksia, joihin Indel Webasto Marine Srl ei ole antanut lupaa, kaikki takuut ja direktivien mukaiset vaatimustenmukaisuusvakuutukset mitätöityvät.



HUOMIO! Ennen tuotteen käyttämistä tulee varmistaa, ettei sen mekaanisissa ja sähköosissa esiinny näkyviä vaurioita.



HUOMIO! Varo vahingoittamasta jäädytysjärjestelmän putkia, jäädytysaineroiskeet voivat aiheuttaa näkövammoja.



HUOMIO! Jos tuotteessa esiintyy vaurioita, ota välittömästi yhteyttä toimittajaan ennen sen kytkemistä sähköverkkoon.



HUOMIO! Jos virtajohto on vaurioitunut, sen vaihto tulee antaa valmistajan, huoltopalveluiden tai pätevän henkilöstön vastuulle.



HUOMIO! Asenna tuote kuivaan paikkaan ja suojaa se vesiroiskeilta. Sähköosia EI saa altistaa vesisateelle ja/tai vesiroiskeille.



HUOMIO! Asenna tuote kauas kaasupulloista tai nestekaasujärjestelmistä.



HUOMIO! Tuote tulee asentaa helppopääsyiseen paikkaan mahdollisten toimintahäiriöiden varalta. Jännitteenalaisten osien ja lauhdutin-/kompressoriyksikön kotelo on voitava avata ainoastaan tarkoituksella, siihen ei saa päästä suoraan käsiksi.



HUOMIO! Kompressorin/lauhduttimen asennusalue tulee toteuttaa materiaalilla, joka kestää standardin EN 603335----1 mukaisen syttymistestin tai on yli 5 cm päässä sähkö- ja/tai elektronisista osista.



HUOMIO! Jos paikalla on laturi, se tulee liittää akkuun eikä koskaan suoraan tuotteeseen.



HUOMIO! Tuote tulee suojata välilliseltä kontaktilta määräyksen “Heavy Current Regulations” mukaisesti.



HUOMIO! Jos tuote liitetään vaihtovirtalähteeseen, henkilövahinkojen välttämiseksi tulee varmistaa, että virtalähteessä on maadoitus ja katkaisimet (kytkimet), joilla tuotteen virta voidaan katkaista kokonaan, sekä automaattisesti vikatilanteessa laukeavat suojauslaitteet.



HUOMIO! Älä koske mahdollisiin vaurioituneisiin tai eristämättömiin sähköjohtoihin, kun laite on kytketty pistorasiaan. Tämä koskee erityisesti tuotetta, joka on liitetty verkkojännitteeseen 115V tai 230V.

Käyttöohje

5.1 Asennus

Isotherm-tuotteet on suunniteltu ja valmistettu ainoastaan kalusteasennusta varten.



HUOMIO! Tuote tulee asentaa vaakasuoraan asentoon ja kompressorit tulee aina asentaa kumijalat alasuuntaan.

Kompressorit toimii jopa 30 ° kaltevuuskulmassa.



HUOMIO! Jos kaltevuuskulma on tätä suurempi, kompressorit voi vaurioitua.

Jos kompressorit on etäkohteessa, se tulee myös asentaa kumipäällysteiset jalat alaspäin.

Lukitse tuote niin, ettei se voi kaatua/liukua voimakkaassa aallokossa tai ajoneuvon liikkeessä yllättäen. Kiinnitä tuote vähintään 2 kiinnityskohdasta standardin EN 60335-2-24 mukaisesti.

Tuotteen mukana toimitetut kannet (kuva 3B) on eristetty ja varustettu tiivisteillä niin, että tuotteen virheetön toiminta ja oikean lämpötilan ylläpito voidaan taata. Kansien pintoja ei ole käsitelty eikä niissä ole saranoita tai kahvoja.

Asenna kansiin päällysteet (ei kuulu Indel Webasto Marine Srl:n toimitukseen) kuvan (kuva 3A) mukaisesti kiinnittämällä mahdolliset saranat ja/tai kahvat päällysteeseen.



HUOMIO! Varmista kannen oikeaoppinen sulkeutuminen ja tarkista, että tiiviste sulkeutuu hyvin kaappiin.

5.2 Tuuletus

Varmista, että kompressorissa/lauhduttimessa on riittävä tuuletus niin, että raikasta ilmaa tulee alaosasta ja lämmin ilma voi tulla ulos yläosasta.

Katso tuotteen oikeaoppinen sijoitus kuvista (kuva 1-2).

5.3 Sähköliitännät

Noudata seuraavia ohjeita, kun liität laitteen ajoneuvon sähköverkkoon:

- Ennen tuotteen liittämistä sähköverkkoon varmista, että verkkojännite vastaa kyltissä osoitettua.
- Liitä tuote suoraan akkuun tai vastaavaan pääkatkaisimeen ja varmista, että järjestelmässä on ylikuormitussuoja.

Jos virransyöttöjännite on arvosta 12/24 Vdc poikkeava, asenna automaattinen differentiaalikytkin ΔI 0,03 A. Vältä liittämistä ajoneuvon sähkötaulun kautta, sillä se voi aiheuttaa jännitelaskuja.

- Aseta tuotteen yläosaan sulake (ks. taulukko alla). Liitä punainen johto sähköjärjestelmän positiiviseen napaan ja musta negatiiviseen napaan. Käytä puristettua johdon liittintä, joka sopii johdon kokoon.
- Asenna erillinen kytkin tuotteen yläpäähän virtajohtojen samanaikaista katkaisemista varten. Tarkista, että se tukee alla olevan taulukon kuormaa.

Mallit	12Vdc	24Vdc
BI29Dual, BI36, BI40, BI41Dual, BI53F, BI75, BI92Dual	15A	7,5A



HUOMIO! Jos paikalla on laturi, se tulee liittää akkuun eikä koskaan suoraan tuotteeseen.

Kaikki sähkökaaviot on annettu ohjekirjan lopussa.

Käyttöohje

5.4 Sähköjohtojen mitat

Käytä aina läpimitaltaan sopivia johtoja. Seuraavassa taulukossa on vähimmäisläpimitat:

Läpimitta mm ²	Läpimitta AWG	Johdon maksimipituus 12 V m/ft	Johdon maksimipituus 24V m/ft
2,5	13	2,5/8	5/16
4	11	4/13	8/26
6	9	6/19	12/39
10	7	10/33	20/66

5.5 Sisävalaistus (vain malleissa joissa kyseinen valmius)

Vaihda LED-lamppu painamalla valoyksikön lasia alaspäin vastaavalla kielekkeellä. Vaihda lamppu ja asenna valoyksikkö takaisin (kuva 4-5).

Käytä ainoastaan alkuperäisiä Indel Webasto Marine Srl -yhtiön varaosia.

6 Tekniset tiedot (standardi kokoonpano)

Käyttöjännite: 12 tai 24 Vdc

Annettu keskimääräinen kulutus on mitattu +5 °C:n lämpötilassa ja 25 °C:n ulkolämpötilassa standardissa ISO 15502:2005 ja EN 153:2006 vaaditun mukaisesti

Keskimääräiseen kulutukseen vaikuttaa tuotteen käyttötapa ja tuuletustyyppi.

Laitteistossa oleva kaasutyyppi ja -määrä on osoitettu tuotteen tietokyltissä.

Tuotteet täyttävät voimassa olevan EMC-direktiivin ja niissä on CE-merkki.

Malli	Välitön kulutus 12/24 Vdc (ampeeria)	Välitön kulutus 12/24 Vdc (wattia)	Keskimääräinen kulutus 25 °C (Wh/24h)
BI 29 Dual	6,0/3,0	72	250
BI 36	6,0/3,0	72	350
BI 40	6,0/3,0	72	270
BI 41 Dual	6,0/3,0	72	270
BI 53F	7,0/3,5	85	260
BI 75	6,0/3,0	72	340
BI 92 Dual	7,0/3,5	85	360

Käyttöohje

7 Vianmääritys

Ainoastaan pätevä ja valtuutettu henkilöstö saa käsitellä sähköosia tai -liitäntöjä sekä jäähdytysjärjestelmää.

Huomio: Irrota laite virtalähteestä aina ennen sähköosien tai -liitäntöjen käsittelymistä.

Vika	Mahdollinen syy	Korjaustoimenpide
Tuote ei jäähy, kompressor ei käynnisty.	Ei virtaa. Huonokuntoinen akku. Viallinen termostaatti. Viallinen elektroninen ohjausyksikkö.	Tarkista, että elektroninen ohjausyksikkö saa riittävästi virtaa ja jännitettä, tarkista sulake. Tarkista, että sisävalot toimivat ja että kompressor saa virtaa. Tarkista johdot, johtojen kiinnittimet ja liittimet. Tarkista, että akku latautuu oikeaoppisesti. Tarkista termostaatti: Aseta hyppyjohdin T - C erillisellä johdolla. Jos kompressor ei käynnisty, elektroniikka on todennäköisesti viallinen. Vaihda se. Jos kompressor käynnistyy hyppyjohtimella, termostaatti on viallinen. Vaihda termostaatti.
Kompressor suorittaa vain lyhyitä käynnistysyrityksiä.	Riittämätön jännite tai jännitelasku käynnistysyrityksen aikana aktivoi suojan. Akut ovat purkautuneet.	Tarkista johdot ja liitännät. Poista mahdolliset hapettumisen tai korroosion merkit. Lataa akut, käynnistä moottori tai liitä akkulaturi.
Kompressor toimii, mutta se ei jäähdytä.	Jäähdytysainevuotoja lauhduttimessa tai putkissa. Tukkiutuneet putket.	Suorita vuototesti ja korjaa mahdolliset vuodot, ime ja täytä oikea määrä jäähdytysainetta (Tämä toimenpide tulee antaa huoltoteknikon tehtäväksi).
Kompressor toimii pitkään, mutta ei jäähdytä riittävästi (heikko teho).	Tuuletus riittämätön, lauhduttimen ylikuumentuminen. Tuuletin ei toimi. Lauhduttimessa on liikaa huurretta. Ovi ei sulkeudu oikein, se päästää sisään lämmintä ilmaa ja kosteutta. Pöly tukkii lauhduttimen.	Lisää tuuletusta. Vaihda tuuletin. Sulata. Korjaa oven asento ja tarkista tiiviste. Puhdista lauhdutin.

Sulake palaa.	Virheellinen sulake. Viallinen elektroninen ohjauksyksikkö.	Tarkista sulake: katso kappaleen 4.4 taulukko Vaihda elektroninen ohjauksyksikkö.
Kompressorin toimii katkonaisesti.	Akku tyhjä tai huonokuntoiset virtajohdot.	Tarkista johdotuksen kunto ja varmista, ettei niissä ole löyisiä liitäntöjä, ruostetta tai hometta. Jos johdon vaihto on tarpeen, katso oikeat mitat ohjekirjasta. Jos johto on hyväkuntoinen, tarkista akun toiminta. Jos akku on huonokuntoinen, se tulee vaihtaa.
Kompressorin ei pysähdy koskaan (virheetön jääkaapin toiminta)	Termostaatti on liitetty virheellisesti elektroniseen ohjauksyksikköön. Viallinen termostaatti. Lauhdutin toimii virheellisesti, haihdutin jäähtyy, ei kuitenkaan riittävästi kompressorin pysäyttämiseksi termostaatilla.	Kierrä termostaatti sammutusasentoon, jos jääkaappi toimii edelleen, ohjauksyksikkö saa virtaa. Korjaa termostaatin liitännät (tarkista elektronisesta ohjauksyksiköstä, että silta on olemassa C:n ja P:n välillä, sitä ei saa olla C:n ja T:n välillä). Kierrä termostaatti sammutusasentoon. Jos kompressorin sammuu, mutta lämpötilan säätö ei ole mahdollista, vaihda termostaatti tai lataa jäähdytysjärjestelmä uudelleen.
Kompressorin ei pysähdy koskaan (jääkaapin heikko toiminta)	Erittäin lämmin ympäristö + riittämätön tuuletus tai vähän kaasua jäähdytysjärjestelmässä.	Tarkista tuuletus, kompressorin on asennettava hyvin tuuletettuun paikkaan. Jos mahdollista, poista jääkaappi asennuspaikasta. Jos jääkaappi toimii paremmin, paranna tuuletusta katsomalla ohjekirjasta oikeat asennusohjeet. Jos tuuletus on optimaalinen, tarkista järjestelmässä oleva kaasun ottamalla yhteyttä alan erikoistuneeseen teknikkoon.
Pakastinosasto on kylmä, mutta jääkaappiosasto ei	Riittämätön tuuletus, vähän kaasua jäähdytysjärjestelmässä, muu kuin tasavirtalähde.	Tarkista tuuletus, kompressorin on asennettava hyvin tuuletettuun paikkaan. Jos mahdollista, poista jääkaappi asennuspaikasta. Jos jääkaappi toimii paremmin, paranna tuuletusta katsomalla ohjekirjasta oikeat asennusohjeet. Tarkista sähköliitöiden ja akun kunto. Jos tuuletus on optimaalinen, tarkista järjestelmässä oleva kaasun ottamalla yhteyttä alan erikoistuneeseen teknikkoon.

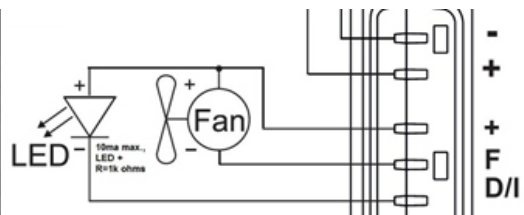
<p>Haihduuttimessa on liikaa jäätä.</p>	<p>Kosteuden tunkeutumista tuotteeseen.</p>	<p>Tarkista tiivisteiden kunto oven neljältä sivulta: tiivisteen tulee sulkeutua tiiviisti kalusteeseen. Jos jäätä on enemmän yhdellä sivulla, jääkaapin kosteusvuoto on todennäköisesti kyseisellä puolella. Muotoile tiiviste paikoilleen käyttäen keskitehoista lämpölähdettä. Jos tiivisteen muotoilu ei ole mahdollista, vaihda koko ovi.</p>
<p>Jääkaappi jäähtyy liikaa.</p>	<p>Termostaatin anturi on suojattu liikaa tai sijoitettu virheellisesti</p>	<p>Anturin pään on oltava kosketuksissa haihduuttimeen, aseta anturi oikeaan asentoon. Jos jääkaappi jäähtyy edelleen liikaa, vaihda termostaatti.</p>
<p>Kompressorin on tavallista äänekkäämpi.</p>	<p>Kompressorin ei ole asennettu hyvin tukeen tai se koskettaa muuriin/seinään.</p>	<p>Tarkista, että kompressorin ruuvit ovat kireällä ja etteivät ne kosketa mitään. Kompressorin ääniä voi vähentää jos se koskettaa jotakin, tärinä on voimakkaampaa.</p>
<p>Tuuletin/tuulettimet on/ovat tavallista äänekkäämpi/-ä.</p>	<p>Tuulettimen rakenne on taittunut tai tuuletin on vaurioitunut.</p>	<p>Poista kiinnittimet/ruuvit, joilla tuuletin on kiinnitetty paikoilleen. Jos tuulettimesta kuuluu edelleen ääntä, se tulee vaihtaa. Tarkista, että kaikki tuulettimen osat ovat ehjiä. Jos yksi tai useampi siipi puuttuu, vaihda se.</p>
<p>Sisävalo ei syty.</p>	<p>Käänteinen napaisuus tai viallinen lamppu.</p>	<p>Tarkista lampun navat. Jos napaisuus on virheetön, vaihda lamppu.</p>
<p>Ovi/laatikko ei sulkeudu oikein.</p>	<p>Saranoiden virheellinen sijainti tai epämuodostuneet tiivisteet</p>	<p>Sijoita sarana niin, että ovi sulkeutuu oikein. Muotoile tiiviste uudelleen käyttäen keskitehoista lämpölähdettä. Jos ongelma toistuu, vaihda ovi. Jos jääkaapissa on laatikko, kohdista ovi säädettävien ohjaimien avulla.</p>

Mikäli kyseessä on monimutkaisempi vika, joka vaatii erikoisalan asiantuntemusta, ota yhteyttä Indel Webasto Marine -yhtiöön tai paikalliseen Isotherm-jälleenmyyjään.

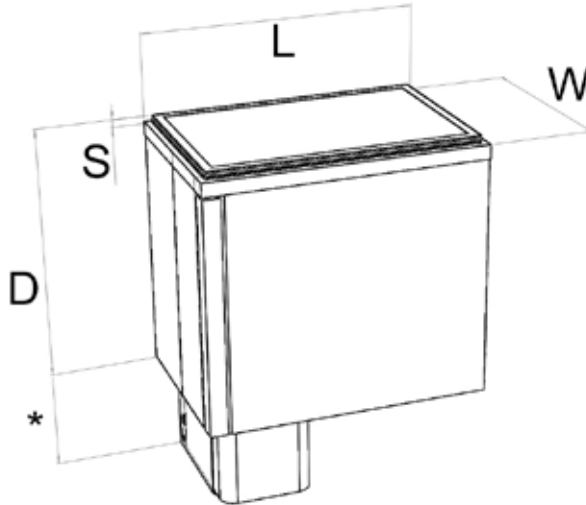
8 Vianmäärityksen LED-valo

Elektroninen ohjausyksikkö määrittää viat seuraavasti, kun LED-valo on liitetty. Merkkivalojen vilkkumismäärä ilmoittaa virhetyypin.

LED-valon vilkkumismäärä	Virhetyppi	Korjaustoimenpide
6	Viallinen anturi (anturi on viallinen tai sitä ei ole liitetty).	Liitä anturi ja tarkista, että kompressori toimii. Jos kompressori ei toimi, vaihda anturi.
5	Elektronisen ohjausyksikön lämpösuoja. (jos jäähdytysjärjestelmä on ylikuormitettu tai ympäristölämpötila on liian korkea, elektroninen ohjausyksikkö ylikuumentuu)	Poista ylimääräinen kaasu tai lisää tuuletusta.
4	Virheellinen moottorin vähimmäisnopeus. (jos jäähdytysjärjestelmä on ylikuormitettu, moottori ei pysty säilyttämään noin 1850 kierr./min vähimmäisnopeutta).	Poista ylimääräinen kaasu.
3	Moottorin käynnistysvirhe (roottori on lukittunut tai paine on liian suuri (> 5 baaria) jäähdytysjärjestelmän sisällä. Viallinen elektroninen ohjausyksikkö.	Vaihda ensimmäiseksi elektroninen ohjausyksikkö. Jos ongelma toistuu, vaihda kompressori.
2	Tuulettimen oikosulku (tuuletin absorboi elektronisesta ohjausyksiköstä yli 1A).	Vaihda tuuletin.
1	Akun suojaus (jännite on minimi- ja maksimiarvojen ulkopuolella).	Tarkista virtajohtojen kunto. Vaihda johdot tarvittaessa uusiin. Tarkista akun kunto.



9 Mitat



Malli	Leveys (mm) [W]	Pituus (mm) [L]	Syvyys (mm) [D]	Oven paksuus (mm) [S]	Läpimitta (mm) W:H	Yläreuna (mm) W:H	Putket ¹	Huomautukset
BI 29 Dual	342	510+160*	330	35 sis	344:500	343:499	/	REM
BI 36	240	438	555+160*	35 sis	442:244	/	+25	REM
BI 40	395	400+160*	400	40 sis	399:399	415:415	+20	REM
BI 41 Dual	342	497	468+160*	14 sis	344:500	343:499	/	REM
BI 53F	425	645	470+160*	/	429:649	430:648	+15	REM
BI 75	425	645	470+160*	/	429:649	430:648	+15	REM
BI 92 Dual	480	801	455+160*	/	484:805	484:804	+25	REM

HUOMAUTUKSET:

REM: Tuotteen kompressoriyksikköä on mahdollista siirtää toimitettujen putkien pituuden mukaan.

1: Tämä mitta ilmoittaa tuotteesta tulevien putkien vaatiman tilan niiden mahdollista taittoa varten.

MÄÄRÄYKSIEN VAATIMUSTENMUKAISUUDEN JA VIRHEETTÖMÄN TOIMINNAN TAKAAMISEKSI JÄÄKAAPIN ULKOSEINIEN SUOSITELLUT VÄLIMATKAT KALUSTEEN SISÄSEINISTÄ OVAT SEURAAVAT: 20 mm SEINISSÄ, JOISSA EI OLE KOMPRESSORIA, JA 50 mm SEINISSÄ, JOISSA ON KOMPRESSORI. JOS NÄITÄ OHJEITA EI VOIDA NOUDATTAA, VÄHIMMÄISETÄISYYKSIEN ON OLTAVA 5 mm JA SEINIEN ON OLTAVA VALMISTETTU RÄJÄHDYSPAINEEN KESTÄVÄSTÄ MATERIAALISTA

10 Takuu

Indel Webasto Marine -yhtiön takuu täyttää EU-direktiivin 2019/771 vaatimukset

Voimassaoloaika

Tuotteen takuu on voimassa 2 vuotta ja se kattaa korjauksien tai vaihtojen työvoimakulut. Tämä edellyttää, että ne suoritetaan IWM-verkoston valtuutetuissa huoltoliikkeissä.

Saadaksesi tietoa USA:n markkinoita koskevista erityisistä ehdoista, ota yhteys Indel Webasto Marine USA:han.

Voimassaoloaika alkaa:

- Tuotteen laskussa tai kuitissa ilmoitettuna myyntipäivänä
- Sen veneen tai ajoneuvon ensimmäisen myyntikerran laskun tai rekisteröintiasiakirjan päivämäärästä, johon tuote on asennettu ajoneuvon valmistajan toimesta.
- Mikäli yllä mainittuja asiakirjoja ei ole, sarjanumeron tuoteviikosta lähtien. Tuotteen tai jokin osan vaihto ei vaikuta voimassaoloaikaan.

Takuu kattaa seuraavat:

- Tuotteen tai yhden tai useamman osan vaihto tai korjaus, kun niissä on todettu valmistusvikoja.
- Osien rikkoutuminen tai toimintahäiriöt, jotka esiintyvät takuun voimassaolon aikana, vaikka tuote on asennettu ja sitä on käytetty oikeaoppisesti.
- Työvoima ja matkakulut alla mainittujen tietojen mukaisesti.
- Vaihdeettavan tuotteen toimituskulut (ei koske tullikuluja)

Takuu ei kata vikoja tai vahinkoja tai toimintahäiriöitä, jotka aiheutuvat seuraavista:

- Laiminlyönti tai huolimattomuus tai väärinkäyttö
- Virheellinen asennus tai huolimaton siirtäminen
- Riittämätön tuuletus
- Virheellinen sähköliitäntä
- Alimitoitettu johdotus
- Virheellinen huolto tai valtuuttamattomien henkilöiden suorittama huolto
- Tämän ohjekirjan ohjeiden noudattamatta jättäminen
- Kuljetusvauriot
- Tullikulut
- Kulutuset, sulakkeet jne.
- Ammattikäyttö
- Sääolosuhteiden aiheuttamat vahingot
- kustannukset kalusteiden tai muiden rakenteiden purkamisesta ja / tai

Takuu

- uudelleenasennuksesta

Seuraavat tiedot vaaditaan takuun voimassaolon määrittämiseen:

- Tuotekoodi (merkitty tuotteessa olevaan kilpeen)
- Sarjanumero (merkitty tuotteessa olevaan kilpeen)
- Ostosote (tai mahdollinen rekisteröintiasiakirja, ks. Voimassaolo-osio yllä)
- Vian tarkka kuvaus. (Liitä mahdollisesti kuvia)
- Asennuksen kuvaus, erityisesti tuuletusta ja johdotusta koskevat tiedot. (Liitä mahdollisesti kuvia)

(Jos tietojen pohjalta määritetään, ettei takuu ei ole voimassa, kaikki korjauksista, vaihdoista, työvoimasta, matkoista ja toimituksista aiheutuvat kulut ovat asiakkaan vastuulla. IWM on vapautettu kaikista korvausvelvollisuuksista).

Toimi seuraavasti, kun olet varmistanut takuun voimassaolon:

Takuun piiriin kuuluvat aluksiin asennettujen tuotteiden toimenpiteet tulee antaa yksinomaan IWM:n verkostoon (ks. yhteystiedot osoitteesta www.indelwebastomarine.com) kuuluvien huoltopalvelujen (CAT) vastuulle. IWM ei korvaa muiden tahojen suorittamia toimenpiteitä.

Kun tuote on asennettu alukseen, IWM:n valtuuttaman huoltopalvelun teknikko tulee käymään alukseen, jos se on korkeintaan 100 km:n päässä huoltopalvelusta. IWM vastaa tällöin matkakuluista. Jos alus on yli 100 km päässä, asiakas voi oman harkintansa mukaan joko maksaa teknikon matkakulut (maksamalla ne suoraan teknikolle) tai siirtää aluksen lähemmäksi.

Löytääksesi lähimmän huoltopalvelun ja saadaksesi tietoa USA:ssa voimassa olevista matkakulujen kattavuudesta, ota yhteys Webasto Marine USA:han.

IWM ei korvaa muualta hankittuja varaosia.

Huvialuksiin (RV) asennetut tuotteet:

Yksinomaan Webasto-yhtiön huoltopalvelut saavat suorittaa takuun piiriin kuuluvat toimenpiteet.

Alus tulee viedä huoltopalveluun.

Lähimmän huoltopalvelun tiedot ovat saatavilla osoitteesta www.webasto.com USA:ssa huvialuksiin asennettuja tuotteita koskevia ehtoja varten, ota yhteys Webasto Marine USA:han

Bruksanvisning

Sammanfattning

1. Bruksanvisning	178
1.1 Miljö.....	179
1.2 Säkerhetsföreskrifter	180
2. Bruksanvisningar	183
2.1 Temperaturreglering med termostat	183
2.2 Rekommendationer för användning.....	184
3. Underhåll	185
3.1 Avfrostning	185
3.2 Säsongsbundet underhåll.....	185
3.3 Underhåll för längre avstängningsperioder	186
4 Skydd mot låg spänning	186
5 Varningar gällande installation.....	187
5.1 Installation	189
5.2 Ventilation.....	190
5.3 Elektriska anslutningar.....	190
5.4 Dimensioner elkablar.....	191
5.5 Innerbelysning (endast på vissa modeller)	191
6 Tekniska specifikationer (standardutförande).....	192
7 Felsökning	193
8 LED-lampor för felsökning.....	196
9 Installationsmått.....	197
10 Garanti	198

1. Bruksanvisning

Manualen innehåller varningar som uppmärksammar användaren på de faror som föreligger och särskilda anvisningar man ska följa; varningarna anges enligt följande:



WARNING!



Starta inte produkten utan att ha läst denna bruksanvisning.

<p>Obligatoriskt att läsa anvisningarna Denna symbol betyder att man måste läsa anvisningarna innan man tar produkten i drift.</p>	
<p>Obligatorisk fränkoppling Denna symbol betyder att man vid fel omedelbart måste koppla bort produkten från huvudförsörjningen.</p>	
<p>Obligatoriskt att bära handskar Denna symbol betyder att alla operatörer ska bära lämpliga skyddshandskar</p>	
<p>Obligatoriskt att bära skor Denna symbol betyder att alla operatörer ska bära särskilda skor som minskar risken för olyckor</p>	
<p>Allmän fara Denna symbol betyder att operatören ska vara extra uppmärksam</p>	
<p>Risk för elektrisk stöt Denna symbol signalerar till berörd personal att det arbetsmoment som beskrivs kan innebära en risk för elektrisk stöt</p>	
<p>Risk för högintensivt ljus Denna symbol betyder att man ska vara extra uppmärksam på högintensivt ljus eftersom det föreligger risk för synskador.</p>	

Bruksanvisning



WARNING! Spara manualen inför framtida konsultation. Det är lämpligt att:

- Förvara bruksanvisningen på en åtkomlig plats där den skyddas från fukt och värme samt från direkt solljus;
- Använd bruksanvisningen försiktigt så att du inte skadar innehållet;
- Man får aldrig ta loss, dra sönder eller ändra någon del av denna bruksanvisning.

Trots den noggrannhet med vilken denna bruksanvisning har sammanställts kan inte Indel Webasto Marine Srl garantera att den information som finns i den täcker alla tänkbara händelser som är förbundna med produktinstallationen. Om man är osäker bör man omedelbart kontakta våra tekniker. Om man säljer eller lämnar vidare produkten till en annan person ska man även lämna över denna bruksanvisning och tillhörande bilagor, i sin helhet, till den nya användaren.




WARNING! Denna bruksanvisning hänvisar till produkt i standardutförande. Maskiner som skiljer sig från standardversionen kan uppvisa smärre avvikelser som inte finns beskrivna i denna bruksanvisning. Kontakta tillverkaren i fall av tveksamheter.

1.1 Miljö

Denna produkt överensstämmer med direktiv 2002/96/EG om avfall som utgörs av eller innehåller elektriska eller elektroniska produkter (WEEE).

Korrekt kassering av produkten är av yttersta vikt för att förhindra potentiella negativa konsekvenser för miljö och hälsa.



Symbolen  på produkten, på emballaget eller i medföljande dokumentation indikerar att denna produkt inte får behandlas som vanligt hushållsavfall. Den ska i stället lämnas in på en lämplig uppsamlingsplats för återvinning av elektrisk och elektronisk utrustning. Produkten måste kasseras enligt lokala miljöbestämmelser för avfallshantering.

För ytterligare information om kassering, återvinning och återanvändning av denna produkt, var god kontakta de lokala myndigheterna, ortens sophanteringstjänst eller återförsäljaren/företaget där produkten inhandlades.



Emballaget är tillverkat av återvinningsbart material. Det är märkt med en återvinningssymbol och ska lämnas på återvinningsstation.



Symbolen anger att produkten överensstämmer med alla de bestämmelser inom Europeiska unionen som är relevanta för bruk av produkten.



WARNING! Denna produkt innehåller fluorgas med växthuseffekt, R134a, inuti ett hermetiskt slutet system och dess drift är beroende av närvaron av denna gas.



WARNING! Öppna aldrig kylkretsen. Kylmedlet R134a som finns i produkten är inte antändligt under normala förhållanden. Kylmedlet R134a får aldrig släppas ut i naturen.

Vid skador på kylkretsen ska man kontakta kvalificerad personal för omhändertagande av fluorgaserna.

1.2 Säkerhetsföreskrifter



WARNING! Indel Webasto Marine Srl avsäger sig allt ansvar för felfunktion eller skador på person eller egendom orsakade av en annan användning av maskinen eller av material med andra egenskaper än vad som anges i denna manual.

Felaktig användning eller användning som strider mot anvisningarna i denna manual kan inte ge upphov till tvist med tillverkaren och/eller leverantören.

Bruksanvisning



WARNING! Produkten är endast avsedd för att förvara och/eller bevara livsmedel. Livsmedelsprodukter ska förvaras i originalförpackning eller i andra lämpliga behållare. Ät aldrig livsmedel vars bäst före datum passerat eftersom det kan leda till förgiftning.



WARNING! Om man förvarar mediciner inuti produkten ska man kontrollera att dess kylförmåga uppfyller kraven för de aktuella läkemedlen.



WARNING! Produktens syfte och funktion när den används som fryskåp är endast att hålla redan helt nedfrysta produkter frysta.

Kylskåpet fryser inte livsmedel som inte redan är helt nedfrysta. Om man förvarar ett livsmedel som inte är helt nedfryst i frysen bedöms detta som felaktig användning och kan leda till oavsiktlig upptining av det aktuella livsmedlet. Detta i sin tur kan orsaka problem med livsmedelssäkerhet, sjukdom eller skada vid förtäring.

Att förvara livsmedel som inte är helt nedfrysta i frysen kan även påverka kvaliteten på andra frysta livsmedelsprodukter som förvaras inne i frysen.

Exponering för temperaturer över det temperaturintervall frysen framställts för, strömavbrott och/eller frekvent öppnande av frysen kan påverka kylens prestanda och kvaliteten på frysens innehåll.

Användaren ska alltid kontrollera livsmedelns kvalitet innan förtäring.



WARNING! När ismaskinen ska vara avstängd under en längre period ska



man koppla bort all tillförsel.

Lämna produktens lucka något öppen för att vädra insidan och för att undvika att det bildas mögel.



WARNING! Det får inte förekomma värme eller gnistor i närheten av produkten. Dra ut stickkontakten och vädra lokalen ordentligt om det skulle uppstå kylmedelsläckage.



WARNING! Koppla omedelbart bort produkten från den allmänna försörjningen vid fel. Rör inte vid elkablar som är skadade eller inte isolerade när eltillförseln är tillkopplad. Denna anmärkning gäller i synnerhet när produkten är ansluten till nätspänningen på 115 V eller 230 V.

Om elkabeln är skadad ska den bytas ut. Kontakta behörig personal eller närmaste kundservice.



WARNING! Följande får inte förvaras i produkten eller i närheten av dess elektriska delar: sprayflaskor med brännbara vätskor, explosivt material, elektriska apparater, levande djur.

Sprayflaskor som innehåller brännbara vätskor kan läcka gaser som om de kommer i kontakt med elektriska delar kan fatta eld eller orsaka explosion.

Undvik eld och gnistor inuti produkten.

Undvik att använda elektrisk utrustning inuti produkten.



WARNING! Produkten får inte användas av barn under 8 år.

Produkten får användas av barn över 8 år och av personer med nedsatta fysiska, sensoriska eller mentala färdigheter, med bristfällig erfarenhet eller utan nödvändig kunskap, endast förutsatt att de fått information om en säker användning av produkten och förstått de risker som är kopplade därtill.

Barn får inte leka med produkten. Rengöring och underhåll som ska utföras av användaren får aldrig utföras av barn om de inte övervakas.



WARNING! Rör inte vid kontakter eller brytare när dina händer är blöta.

Bruksanvisning

2. Bruksanvisningar

Klimatklassen finns angiven på skylten inne i apparaten.

SN eller **utökad tempererad** (rumstemperatur från 10°C till 32°C);

N eller **tempererad** (rumstemperatur från 16°C till 32°C);

ST eller **subtropisk** (rumstemperatur från 16°C till 38°C);

T eller **tropisk** (rumstemperatur från 16°C till 43°C).

2.1 Temperaturreglering med termostat

Produktens temperatur ställs in med hjälp av termostatvredet:

-Termostat A:

1 motsvarar den högsta inre temperaturen och 7 den lägsta inre temperaturen.

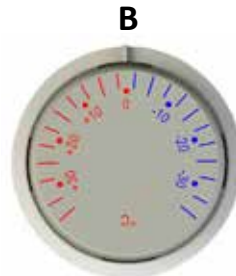
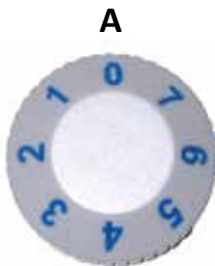
-Termostat B:

Temperaturvärdena på vredet motsvarar önskad medeltemperatur.

Vi rekommenderar att man håller en temperatur inne i produkten på 5-6°C.

Rumstemperaturen påverkar temperaturen inne i produkten, och därför kan det vara svårt att hålla rätt temperatur om den utsätts för värme och direkt solljus.

Termostatvred



Modellerna BI29, BI41 och BI92 som kallas "Dual" har termostat av typ B och kan användas både som kyl och frys inom nedanstående temperaturintervall:

BI29 Dual från +10°C till -12°C

BI41 Dual från +10°C till -10°C

BI92 Dual från +10°C till -20°C.

2.2 Rekommendationer för användning

- Starta om möjligt produkten ca 6 timmar innan den ska fyllas med livsmedel.
- Att ofta öppna produkten ökar strömförbrukningen.
- Att ofta öppna kylan höjer strömförbrukningen.
- Se till att produktens ventilationssystem inte blockeras.
- Den elektriska anordningen måste vara i mycket gott skick. Kontrollera regelbundet batterierna och deras laddning. Motorn ska alltid ha eget separat startbatteri.
- Håll alltid produktens insida ren och torr. Töm vid behov ut kondensvatten som samlas i dropphyllan under frysacket i kylskåpet.
- Produkten har utformats med ett skydd som blockerar själva produkten vid låg batterispänning. Om kompressorn blockeras ska man följa de anvisningar som anges i denna manual och/eller kontakta en specialiserad tekniker eller ett serviceställe tillhörande Indel Webasto Marine Srl.
- Kompressorn klarar en lutning på upp till 30°, mer lutning kan orsaka permanenta skador på kompressorn.

Bruksanvisning

3. Underhåll



WARNING! Underhåll ska utföras endast när produkten är avstängd och bortkopplad från alla tillförelskällor.

Isotherm Built-In-produkter har ett hermetiskt slutet kylsystem som inte kräver underhåll eller påfyllning av kylmedel.

3.1 Avfrostning

Eftersom förångaren arbetar i temperaturer under fryspunkten bildas frost och is på den.

Luftfuktighet, temperatur och hur ofta dörren öppnas påverkar frostbildningen i hög grad.

Frosta alltid av produkten när frostlagret på förångaren har blivit 3-4 mm tjockt eller mer.

Stäng av produkten genom att vrida termostatvredet.

Utför avfrostningen vid tillfällen då varorna kan förvaras så kallt som möjligt utanför själva produkten. Använd inga vassa föremål för att skrapa bort is och frost från förångaren eftersom den då kan skadas, med läckage av kylmedel som följd.

Starta om produkten först när den är helt och hållet avfrostad, torr och ren. En del modeller har ett hål i botten i det invändiga utrymmet för tömning av kondens. Under avfrostningen kan man vid behov lägga en handduk på produktens botten för att underlätta uppsamlingen av smältvatten.

3.2 Säsongsbundet underhåll

Säsongsbundet underhåll omfattar följande:

1: Rengöring av kondensorn. Framför allt är det nödvändigt att borsta bort/suga upp allt ansamlat damm. Använd en mjuk borste och en dammsugare.

2: Rengöring av det invändiga utrymmet. Framför allt är det nödvändigt att tvätta utrymmet med ljummet vatten och en mild tvållösning. Torka upp alla rester av kondens/vatten.

3.3 Underhåll för längre avstängningsperioder

Produkten ska sitta kvar i fordonet under vintern eftersom den inte fungerar när temperaturen är nära 0 °C eller lägre. Om produkten ska vara avstängd under en längre tid måste man frosta av den helt och avlägsna all kondens. Detta för att förhindra skada på produkten och de elektriska/mekaniska komponenterna och för att förebygga risken för mögelbildning. Avfrostningstiden kan variera från ett par minuter till flera timmar. När produkten är avstängd, lämna dörren öppen i vädringsläge och **koppla bort all tillförsel**.

4 Skydd mot låg spänning

För att skydda batterierna från överdriven urladdning slår en batterivakt ifrån kompressorn vid för låg spänning och återstartar först när spänningen höjts i systemet genom laddning av batterierna.

Systemspänning	Avstängningsspänning	Lägsta driftspänning
12V	9,6 (10,4) V	10,9 (11,7) V
24V	21,3 (22,8) V	22,7 (24,2) V

Om byggingen på elektronikdelen mellan C och P avlägsnas gäller de värden som anges inom parentes.



WARNING: Innan man sätter igång produkten ska man kontrollera att batterierna är i bästa möjliga skick.

Bruksanvisning

5 Varningar gällande installation



WARNING!



För att garantera en säker funktion ska man installera och ansluta produkten i enlighet med anvisningarna i denna bruksanvisning.



WARNING! Använd alltid personlig skyddsutrustning



vid

förflyttning och installation av produkten.



WARNING! Ansvaret för ändringar på produkten om vilka tillverkaren saknar vetskap vilar helt och hållet på den person som utför ändringarna. Ändringar som utförs utan godkännande från Indel Webasto Marine Srl innebär att alla former av garantier upphör att gälla och att försäkringen om överensstämmelse med tillämpbara direktiv blir ogiltig.



WARNING! Innan man använder produkten ska man kontrollera att den inte uppvisar några synliga skador på mekaniska eller elektriska delar.



WARNING! Skada inte slangarna till kylkretsen. Stänk från kylmedlet kan skada synen.



WARNING! Om produkten är skadad ska man omedelbart kontakta leverantören innan anslutningen utförs.



WARNING! Om elkabeln skadas måste den omedelbart bytas ut av tillverkaren, kundservice eller behörig personal.



WARNING! Installera produkten på en torr plats där den skyddas från vattenstänk. Elektriska delar får INTE exponeras för regn och/eller vattenstänk.



WARNING! Installera produkten på avstånd från gastuber och gasolanordningar.



WARNING! Produkten ska installeras på en plats som är åtkomlig vid eventuellt underhållsarbete. Utrymmet med spänningsförda delar och kondensorns/kompressorns delar ska endast kunna öppnas medvetet och får inte vara direkt åtkomligt.



WARNING! Området för installation av kompressor/kondensor måste vara av ett material som klarar det flamtest, needle flame test, som förutses av EN 603335--1 eller vara vid ett avstånd på mer än 5 cm från elektriska/elektroniska delar.



WARNING! Om en batteriladdare finns med ska denna anslutas till batteriet och aldrig direkt till produkten.



WARNING! Produkten ska skyddas mot indirekt kontakt enligt förordning "Starkströmskungörelsen".



WARNING! Om produkten ska anslutas till ett elnät med växelström ska man för att undvika allvarliga personskador kontrollera att elnätet är jordat och försett med fränkskiltare (brytare) som gör det möjligt att koppla bort produkten helt från eltillförseln samt med skyddsanordningar som utlöser automatiskt vid fel.



WARNING! Rör inte vid elkablar som är skadade eller inte isolerade när den elektriska försörjningen är tillkopplad. Denna anmärkning gäller i synnerhet när produkten är ansluten till nätspänningen på 115 V eller 230 V.

Bruksanvisning

5.1 Installation

Isotherms produkter har utformats och tillverkats för att uteslutande byggas in i installationer.



WARNING! Produkten ska installeras horisontellt och kompressorn ska alltid installeras så att gummifötterna vänder nedåt.

Kompressorn klarar en lutning på upp till 30°.



WARNING! Vid större lutning än så kan kompressorn skadas.

Om man använder en fjärrstyrd kompressor ska även den installeras med gummifötterna nedåt.

Fäst produkten så att det inte tippar/glider vid sjögång eller om fordonet gör en brysk manöver. Fäst produkten med minst två fästpunkter i enlighet med anvisningarna i standard EN 60335-2-24.

Locken som medföljer produkten (Fig. 3B) är isolerade och försedda med till syftet avsedda tätningar för att garantera produktens funktion och för att bibehålla korrekt temperatur, men de har inte ytbehandlats och saknar gångjärn eller handtag.

Sätt på en beklädnad (tillhandahålls inte av Indel Webasto Marine Srl) enligt anvisningarna (Fig. 3A) och fäst eventuella gångjärn och/eller handtag på denna beklädnad.



WARNING! Försäkra dig om att locket är helt stängt och kontrollera att tätningen sluter tätt.

5.2 Ventilation

Säkerställ att kompressorn/kondensorn är väl ventilerad så att sval luft kan komma fram underifrån och uppvärmd luft kan evakueras uppåt.

Illustrationerna (Fig.1-2) visar ett exempel på hur produktens installationsutrymme ska se ut.

5.3 Elektriska anslutningar

Vid anslutning till fordonets elsystem är det viktigt att ta hänsyn till följande punkter:

- Säkerställ innan produkten ansluts till elnätet att nätspänningen motsvarar den som anges på skylten.
- Anslut produkten direkt till batteriet eller dess huvudbrytare. Kontrollera att anordningen är utrustad med en elektrisk anordning med kapacitet att skydda kretsen mot överström.

Om matningsspänningen skiljer sig från 12/24Vdc måste man installera en automatisk differentialbrytare ΔI 0,03A. Undvik anslutning via fordonets elcentral eftersom det kan orsaka spänningsbortfall.

- Installera en säkring uppströms från produkten (se tabellen nedan). Koppla den röda kabeln till den elektriska anordningens positiva pol och den svarta kabeln till den negativa polen. Använd en typ av pressad kabelsko som är anpassad för kabelns storlek.
- Uppströms från produkten ska man montera en separat brytare som kopplar bort matningskablarna på samma gång. Kontrollera att den klarar den belastning som visas i nedanstående tabell:

Modeller	12Vdc	24Vdc
BI29Dual, BI36, BI40, BI41Dual, BI53F, BI75, BI92Dual	15A	7,5A



WARNING! Om en batteriladdare finns med ska den anslutas till batteriet och aldrig direkt till produkten.

Alla kopplingsscheman finns sist i manualen.

Bruksanvisning

5.4 Dimensioner elkablar

Använd alltid kablar med korrekt kabelarea. Nedan följer en tabell med minimimått:

Kabelarea mm ²	Kabelarea AWG	Max kabellängd i meter/ fot 12V	Max kabellängd i meter/ fot 24V
2.5	13	2.5/8	5/16
4	11	4/13	8/26
6	9	6/19	12/39
10	7	10/33	20/66

5.5 Innerbelysning (endast på vissa modeller)

Vid byte av LED-lampan ska man trycka belysningsarmaturens glas nedåt med hjälp av den lilla spaken. Byt lampa och tryck tillbaka belysningsarmaturen i läge igen (Fig. 4-5).

Använd endast originalreservdelar från Indel Webasto Marine Srl.

6 Tekniska specifikationer (standardutförande)

Driftspänning: 12 eller 24 Vdc

Angiven snittförbrukning är uppmätt vid en inre temperatur på +5°C och rumstemperatur på 25°C, i enlighet med kraven i standard ISO 15502:2005 och SS-EN 153:2006

Snittförbrukningen påverkas i stor grad av hur produkten används och av typen av ventilation.

Gastyp och -mängd som används i systemet finns angivet på produktens märkplåt.

Produkterna uppfyller kraven i gällande EMC-direktiv och är CE-märkta.

Modell	Momentan förbrukning 12/24Vdc (Ampere)	Momentan förbrukning 12/24Vdc (Watt)	Snittförbrukning vid 25°C (Wh/24h)
BI 29 Dual	6,0/3,0	72	250
BI 36	6,0/3,0	72	350
BI 40	6,0/3,0	72	270
BI 41 Dual	6,0/3,0	72	270
BI 53F	7,0/3,5	85	260
BI 75	6,0/3,0	72	340
BI 92 Dual	7,0/3,5	85	360

Bruksanvisning

7 Felsökning

Alla ingrepp på elektriska delar, på elektriska anslutningar och på kylkretsen ska utföras uteslutande av kvalificerad och behörig personal.

Varning: Koppla bort den elektriska strömtillförseln innan något ingrepp på elektriska delar eller anslutningar påbörjas.

Problem	Möjlig orsak	Åtgärd
Produkten blir inte kall, kompressorn startar inte.	Avsaknad av elektrisk ström. Dåligt batteri. Termostaten är sönder. Fel på elektronikenheten.	Kontrollera att elektronikenheten får tillräckligt med ström och spänning och kontrollera säkringen. Kontrollera att den inre belysningen fungerar och att kompressorn matas med ström. Kontrollera kablar, kabelskor och kontakter. Kontrollera att batteriet laddas korrekt. Kontrollera termostaten: Bygla T - C med separat kabel. Om kompressorn inte startar handlar det troligen om ett elektronikfel. Byt ut elektroniken. Om kompressorn inte startar med byglingen är termostaten trasig. Byt ut termostaten.
Kompressorn gör endast korta startförsök.	Otillräcklig spänning eller ett spänningsfall vid startförsök aktiverar spänningvakten. Batterierna är urladdade.	Kontrollera kablar och anslutningar och torka bort eventuella spår av oxidering eller korrosion. Ladda batterierna, starta motorn eller anslut batteriladdaren.
Kompressorn går men genererar ingen kyla.	Kylmedelsläckage från förångare eller rörledning. Rörledningen tilltäppt.	Genomför ett läckagetest och reparera eventuella läckor, sug upp vid behov och fyll på korrekt mängd kylmedel.(Denna åtgärd får endast utföras av en fackman.)
Kompressorn går under lång tid men genererar dåligt med kyla, svag effekt.	Dålig ventilation, kondensorn överhettas. Fläkten fungerar inte. Det finns för mycket frost på förångaren. Kylskåpsdörren stängs inte korrekt utan släpper in varm och fuktig luft. Kondensorn är igensatt av damm.	Förbättra ventilationen. Byt ut fläkten. Avfrosta. Korrigera dörrens position och kontrollera dess tätning. Rengör kondensorn.

Säkringen utlöser.	Felaktig säkring. Fel på elektronikenheten.	Kontrollera säkringen: se tabellen i avsnitt 4.4. Byt ut elektronikenheten.
Kompressorns drift är diskontinuerlig.	Batteri urladdat eller elektriska kablar i dåligt skick.	Kontrollera skicket på kablarna för att se om det förekommer lossade kablar, rost eller ärg. Om kablarna måste bytas ut ska man ta hjälp av bruksanvisningen för information om korrekta mått. Om kablarna är i gott skick ska man kontrollera att batteriet fungerar som de ska och i annat fall ska man byta ut det.
Kompressorn stannar aldrig (kylen fungerar som den ska)	Termostatens anslutning på elektronikenheten är inte korrekt. Termostaten är sönder. Kondensorn fungerar inte som den ska, förångaren kyls men inte tillräckligt för att termostaten ska stoppa kompressorn.	Ställ termostaten till avstängt läge. Om kylen fortfarande fungerar finns det kontinuitet på elektronikenheten. Åtgärda problemet på termostatens anslutningar (kontrollera på elektronikenheten om det finns bygling mellan C och P och inte mellan C och T). Ställ termostaten till avstängt läge. Om kompressorn stannar men det inte går att justera temperaturen ska man byta ut termostaten eller ladda om kylsystemet.
Kompressorn stannar aldrig (kylen fungerar inte som den ska)	Mycket varm omgivande luft + otillräcklig ventilation eller för lite gas i kylkretsen.	Kontrollera ventilationen. Kompressorn ska installeras på en plats med god ventilation. Flytta om möjligt kylen från den öppning där den är installerad. Om den då fungerar bättre ska man förbättra ventilationen med hjälp av bruksanvisningens anvisningar för en korrekt installation. Om ventilationen är optimal ska man kontrollera att det finns gas i systemet. Kontakta en specialiserad tekniker.
Frysfacket är kallt men inte kylen	Ventilationen är inte tillräcklig, det finns för lite gas i kylkretsen, den elektriska strömtilförseln fungerar inte.	Kontrollera ventilationen. Kompressorn ska installeras på en plats med god ventilation. Flytta om möjligt kylen från den öppning där den är installerad. Om den då fungerar bättre ska man förbättra ventilationen med hjälp av bruksanvisningens anvisningar för en korrekt installation. Kontrollera de elektriska anslutningarna och batteriet. Om ventilationen är optimal ska man kontrollera att det finns gas i systemet. Kontakta en specialiserad tekniker.

För mycket is på förångaren.	Det tränger in fukt i produkten.	Kontrollera tätningen på dörrens fyra sidor. Tätningen ska sluta helt tätt intill möbelen. Om isen är tjockare på ena sidan kommer förmodligen fukten in i kylan därifrån. Använd en måttlig värmekälla för att forma tätningen. Om det inte går att forma tätningen måste hela dörren bytas ut.
Kylen är för kall.	Termostatsens sond är för täckt eller felplacerad	Sondens ände måste vara i kontakt med förångaren. Placera sonden i korrekt position. Om kylan fortfarande är för kall ska man byta ut termostaten.
Kompressorn låter mer än vanligt.	Kompressorn är inte ordentligt fäst till sitt stöd eller så rör den vid väggen.	Kontrollera att kompressorns skruvar är ordentligt åtdragna och att den inte kommer i kontakt med något. Kompressorn vibrerar och om något kommer i kontakt med den ökar vibrationerna.
Fläkten/fläktarna låter mer än vanligt.	Fläktens struktur har vikits eller så är fläkten sönder.	Ta bort de klämmor/skruvar som använts för att fästa fläkten. Om fläkten fortfarande låter för mycket ska den bytas ut. Kontrollera att alla fläktens delar är hela. Om en eller flera lameller saknas ska man byta ut fläkten.
Innerbelysningen tänds inte.	Polariteten är omvänd eller så är lampan sönder.	Kontrollera lampans polaritet. Om polariteten är korrekt ska man byta ut lampan.
Dörren/lådan stängs inte som den ska.	Gångjärnen sitter fel eller så är tätningen deformerad	Placera om gångjärnen så att dörren stängs som den ska. Använd en måttlig värmekälla för att forma om tätningen. Om problemet kvarstår ska man byta ut dörren. Om man har en kyllåda ska man använda de justerbara skenorna för att linjeställa luckan.

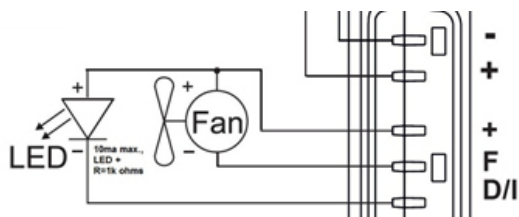
Vid mer komplicerade fel ska man kontakta Indel Webasto Marine eller sin lokala Isotherm-återförsäljare.

8 LED-lampor för felsökning

Elektronikenheten har en felsökningsfunktion när en LED-lampa är ansluten enligt vad som visas nedan.

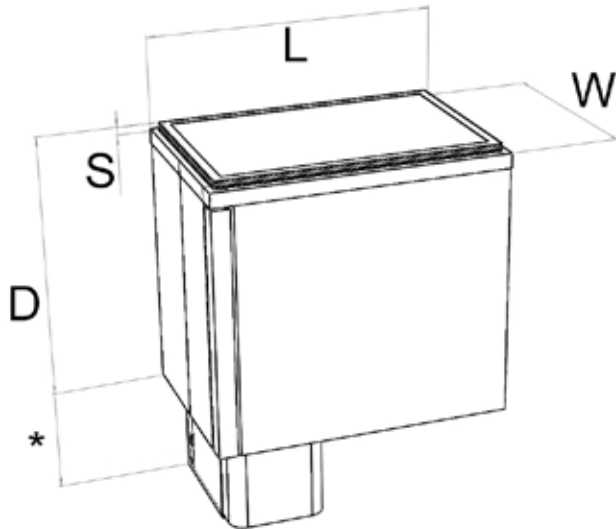
Antalet blinkningar anger typ av fel.

Antal blinkningar från LED-lampan	Typ av fel	Lösning
6	Sond sönder (Sonden är sönder eller inte ansluten).	Koppla in sonden och kontrollera att kompressorn fungerar igen. Om kompressorn inte fungerar ska man byta ut sonden.
5	Överhettningsskydd för elektronikenheten. (om kylsystemet har belastats för mycket eller om den omgivande temperaturen är för hög kommer elektronikenheten att överhettas)	Avlägsna överflödiga gaser eller öka ventilationen.
4	Fel gällande motorns minimihastighet. (om kylsystemet har belastats för mycket kan inte motorn bibehålla minimihastigheten på cirka 1.850 RPM).	Avlägsna överflödiga gaser.
3	Startfel för motorn (rotorn är blockerad eller trycket inne i kylkretsen är för högt (> 5 bar). Fel på elektronikenheten.	Den första åtgärden är att byta ut elektronikenheten. Om problemet kvarstår ska man byta ut kompressorn.
2	Fläkten har kortslutit (fläkten förbrukar mer än 1A från elektronikenheten).	Byt ut fläkten.
1	Batteriskydd (voltvärdet ligger utanför minimi- och maxvärdena).	Kontrollera skicket på strömkablarna. Byt vid behov ut dem mot nya kablar. Kontrollera batteriets skick.



Bruksanvisning

9 Installationsmått



Modell	Bredd (mm) [W]	Längd (mm) [L]	Djup (mm) [D]	Tjocklek dörr (mm) [S]	Cut-Out (mm) [W]	Övre kant (mm) W:H	Rör ¹	Obs
BI 29 Dual	342	510+160*	330	35 inkluderad	344:500	343:499	/	REM
BI 36	240	438	555+160*	35 inkluderad	442:244	/	+25	REM
BI 40	395	400+160*	400	40 inkluderad	399:399	415:415	+20	REM
BI 41 Dual	342	497	468+160*	14 inkluderad	344:500	343:499	/	REM
BI 53F	425	645	470+160*	/	429:649	430:648	+15	REM
BI 75	425	645	470+160*	/	429:649	430:648	+15	REM
BI 92 Dual	480	801	455+160*	/	484:805	484:804	+25	REM

OBS:

REM: Produkten kan flyttas baserat på de levererade rörledningarnas längd.

1: Detta värde anger det utrymme som krävs för att rörledningarna ska komma ut ur produkten, om de eventuellt ska vikas.

I ENLIGHET MED LAGSTIFTNING OCH FÖR EN KORREKT DRIFT REKOMMENDERAR VI ATT KYLSKÅPETS YTTRE VÄGGAR ÄR PLACERADE VID FÖLJANDE AVSTÅND FRÅN MÖBELNS INRE VÄGGAR : 20mm PÅ VÄGGAR UTAN KOMPRESSOR OCH 50mm PÅ VÄGGAR MED KOMPRESSOR. OM MAN INTE HAR MÖJLIGHET ATT FÖLJA DESSA FÖRESKRIFTER SKA MINIMIAVSTÅNDET VARA 5 mm OCH DE MATERIAL AV VILKA VÄGGARNA ÄR TILLVERKADE MÅSTE VARA BRANDSÄKRA.

10 Garanti

Indel Webasto Marine uppfyller kraven i EU-direktiv 2019/771.

Giltighetsperiod

Garantin för produkten har en giltighetstid på 2 år vad gäller arbetskostnader vid reparationer eller utbyte men endast om detta utförs vid serviceställen som ingår i IWM och som därmed är auktoriserade.

För information om särskilda villkor för giltighet i USA, kontakta Indel Webasto Marine USA.

Giltighetstiden löper från:

- a) Det inköpsdatum som står på fakturan eller kvittot för köpet.
- b) Det datum som står på fakturan eller på registreringsdokumentet för det första köpet av den båt där produkten finns installerad, om den installerats av fordonets tillverkare.
- c) Vid avsaknad av ett av ovannämnda dokument gäller den produktionsvecka som anges i S/N (serienumret).

Att byta ut en produkt eller komponent ändrar inte giltighetsperioden.

Garantin täcker:

- Byte eller reparation av produkten eller en eller fler delar vars defekter befunnits vara tillverkningsfel.
- Komponenter som inom garantiperioden går sönder eller fungerar dåligt trots att korrekt installation och korrekt användning kan bevisas.
- Arbetskraft och förflyttningar beroende på nedan angivna driftsituationer.
- Kostnader för frakt av produkten som ska bytas ut (undantaget tullklareringskostnader).

Garantin täcker inte fel eller skador eller felfunktioner som orsakats av:

- Vårdslöshet, försumlighet eller felaktig användning
- Felaktig installation eller oförsiktig förflyttning
- Otillräcklig ventilation
- Felaktig elektrisk anslutning
- Underdimensionerade kablar
- Felaktigt underhåll eller underhåll som utförts av ej auktoriserad personal
- Bristfällig respekt för någon av de föreskrifter som anges i denna bruksanvisning
- Transportskador
- Tullklareringskostnader
- Delar som utsätts för slitage, säkringar o.s.v.
- Professionellt bruk

Garanti

- Skador orsakade av väder och vind
- Kostnader för demontering och/eller montering av möbler eller andra konstruktioner

Information som krävs för att kunna utröna om felet täcks av garantin:

- Produktkod (anges på etiketten som sitter på produkten)
- S/N (serienummer) (anges på etiketten som sitter på produkten)
- Faktura eller inköpskvitto (eller eventuellt registreringsdokument, se ovan i kapitel Giltighetsperiod)
- Detaljerad beskrivning av felet (om möjligt bifoga foto)
- Beskrivning av installationen med särskilt fokus på ventilation och kabeldragning. (om möjligt bifoga foto)

(Om det fastställs att felet inte täcks av garantin åligger det kunden att betala alla kostnader för eventuella reparationer eller byten, arbetskostnader, kostnader för förflyttning av personer och fraktkostnader. IWM är inte förbundna att stå för någon kostnad.)

Hur man går till väga när det fastställts att fallet täcks av garantin:

Garantiarbeten på produkter som har installerats på fordon får endast utföras av serviceställen (CAT) som ingår i IWM (se lista på www.indelwebastomarine.com). IWM står inte för kostnader för arbeten som har utförts av någon annan.

För produkter som installerats i en båt kommer en tekniker från den av IWM godkända serviceanläggningen att komma till båten om den befinner sig på ett avstånd om maximalt 100 km från serviceanläggningen. IWM står för kostnaden för denna transport. Om båten befinner sig längre bort än 100 km kan kunden välja mellan att betala kostnaden för teknikerns transport (i sådan fall betalar man direkt till teknikern) eller om man vill komma närmare med båten.

För att lokalisera den närmaste servicepunkten och för villkoren för täckning av resor i USA, vänligen kontakta Indel Webasto Marine USA.

IWM ersätter inga utlägg för reservdelar som inköpts på andra ställen.

Produkter som har installerats i fritidsfordon (RV):

Garantiarbeten får endast utföras av serviceställen tillhörande Webastos nät.

Fordonet ska transporteras till servicestället.

Ni hittar ert närmaste serviceställe på www.webasto.com

För villkoren för produkterna som är installerade på fritidsfordon i USA, kontakta Indel Webasto Marine USA.

Содержание

1. Руководство	202
1.1 Окружающая среда	203
1.2 Правила безопасности	204
2. Инструкции по эксплуатации.....	207
2.1 Регулировка температуры с помощью термостата	207
2.2 Рекомендации по эксплуатации	208
3. Обслуживание	209
3.1 Размораживание	209
3.2 Сезонное обслуживание.....	209
3.3 Обслуживание в случае длительное простоя	210
4 Защита от низкого напряжения.....	210
5 Предупреждения при установке	211
5.1 Установка.....	213
5.2 Вентиляция	214
5.3 Электрические подключения	214
5.4 Размеры электрических кабелей	215
5.5 Внутренняя подсветка (только в специальных моделях)	215
6 Технические данные (стандартные конфигурации)	216
7 Поиск неисправностей.....	217
8 Светодиодные индикаторы для диагностики.....	220
9 Размеры	221
10 Гарантия	222

1. Руководство

Руководство содержит предупреждения об опасностях для пользователя или правила поведения; такие предупреждения указываются следующим образом:



ВНИМАНИЕ!



Не включайте устройство, не ознакомившись с

данной инструкцией.

Обязательно прочитать инструкции Наличие этого символа требует прочтения инструкций перед началом использования изделия.	
Необходимость отключения Наличие этого символа требует немедленного отключения изделия от сети в случае сбоя в работе	
Необходимость использования перчаток Наличие этого символа требует от каждого оператора ношения защитных перчаток	
Необходимость использования обуви Наличие этого символа требует от каждого оператора ношения специальной обуви для снижения риска получения травмы	
Общая опасность Наличие этого символа требует особого внимания со стороны оператора	
Опасность поражения электрическим током Наличие этого символа указывает, что описанная операция может иметь риск поражения электрическим током	
Опасность света высокой интенсивности Наличие этого символа указывает, что необходимо обращать особое внимание на источники света высокой интенсивности, представляющие опасность для зрения.	

Руководство по эксплуатации



ВНИМАНИЕ! Руководство должно сохраняться для дальнейшего использования. Рекомендуется:

- Хранить руководство в доступном месте, защищенном от тепла и влаги и прямых солнечных лучей;
- Использовать руководство по эксплуатации таким образом, чтобы не повредить полностью или частично его содержимое.
- Ни в коем случае не удалять, не вырывать и не модифицировать части данного руководства по эксплуатации.

Несмотря на тщательность, с которой было составлено это руководство, компания INDEL Webasto Marine S.r.l. не может гарантировать, что указанная в нем информация охватывает все возможные события, связанные с установкой изделия, в случае сомнений рекомендуется незамедлительно обратиться к нашим техническим специалистам. В случае продажи или передачи изделия другому лицу данное руководство и его приложения должны быть переданы без изменений новому пользователю.




ВНИМАНИЕ! Данное руководство посвящено стандартной версии изделия. Приборы, отличающиеся от стандартных, могут иметь небольшие отличия, которые не описаны в данном руководстве. В случае возникновения каких-либо сомнений обратитесь к производителю.

1.1 Окружающая среда

Это изделие соответствует требованиям директивы 2002/96/CE по отходам электрического и электронного оборудования (RAEE).

Правильная утилизация изделия является необходимым условием для предотвращения возможных негативных последствий для окружающей среды и здоровья.



Символ  на изделии, упаковке и соответствующей документации указывает, что изделие не должно перерабатываться как бытовые отходы. Изделие должно быть доставлено в уполномоченный центр по сбору отходов для переработки электрического и электронного оборудования. Всегда утилизировать изделие в соответствии с местными нормами по утилизации отходов.

Для получения подробной информации по утилизации, переработке и повторному использованию изделия обращаться к местным властям, местной службе по сбору отходов или к продавцу/дистрибьютору, у которого было приобретено изделие.

Упаковка изготовлена из повторно используемого материала. На ней имеется символ



повторного использования и ее нужно доставить в центр сбора отходов.



Знак указывает, что изделие соответствует всем нормам европейского сообщества, которые предусматривают его использование.



ВНИМАНИЕ! Это изделие содержит фторированный парниковый газ R134a в герметически закрытой системе, работа которой зависит от наличия этого газа.



ВНИМАНИЕ! Запрещается открывать контур хладагента. Хладагент R134a, содержащийся в изделии, при нормальных условиях не воспламеняется. Никогда не выпускать хладагент R134a в окружающую среду.

В случае повреждения контура хладагента свяжитесь с квалифицированным персоналом, уполномоченным для работы с фторированными газами.

1.2 Правила безопасности



ВНИМАНИЕ! Компания Indel Webasto Marine S.r.l. не несет никакой ответственности за неисправности или повреждения, причиненные людям или имуществу, вызванные ненадлежащим использованием изделия или других материалов с характеристиками, отличными от тех, которые указаны в данном руководстве.

Ненадлежащее использование или использование изделия образом, отличным от указанного в данном руководстве по эксплуатации, не может являться поводом для претензий в отношении производителя и/или поставщика.

Руководство по эксплуатации



ВНИМАНИЕ! Изделие предназначено исключительно для хранения и/или содержания продуктов питания. Продукты питания должны храниться в оригинальной упаковке или в соответствующих контейнерах. Не употреблять в пищу продукты с просроченным сроком годности, они могут вызвать интоксикацию.



ВНИМАНИЕ! В случае необходимости хранения в изделии лекарственных средств необходимо убедиться, что его охлаждающая способность соответствует требованиям к условиям хранения соответствующих медикаментов.



ВНИМАНИЕ! Назначением и функцией изделия при его использовании в качестве морозильной камеры является хранение уже полностью замороженных продуктов питания.

Морозильная камера не выполняет замораживание незамороженных или частично замороженных продуктов питания. Хранение незамороженных или частично замороженных продуктов питания в морозильной камере является ее ненадлежащим использованием и может вызвать ненамеренное размораживание продукта питания, что может привести к проблемам безопасности, заболеваниям или несчастным случаям в случае употребления в пищу.

Хранение незамороженных или частично замороженных продуктов питания в морозильной камере может также повлиять на качество других замороженных продуктов питания, хранящихся внутри морозильной камеры.

Воздействие температур, превышающих диапазон температур климатического класса, для которого была изготовлена морозильная камера, выключения электропитания и/или частое открытие морозильной камеры могут нарушить эффективность морозильной камеры и качество ее содержимого.

Пользователь должен всегда проверять качество продуктов питания перед употреблением их в пищу.



ВНИМАНИЕ! При длительных периодах неиспользования необходимо



отсоединить все подключения питания.

Оставить дверцу изделия слегка приоткрытой для вентиляции внутренней части и предотвращения образования плесени.



ВНИМАНИЕ! В случае утечки охлаждающей жидкости устранить все источники тепла и искр рядом с изделием, отсоединить разъем электропитания и хорошо проветрить помещение.



ВНИМАНИЕ! В случае неисправности сразу же отключите изделие от основного источника питания. Не дотрагиваться до потенциально поврежденных или не изолированных кабелей, когда подключено электропитание. Это особенно касается случаев, когда изделие подключено к сетевому напряжению 115 В или 230 В.

Если при повреждении кабеля питания, необходимо заменить его, обратитесь к квалифицированному персоналу или в ближайший сервисный центр.



ВНИМАНИЕ! Не хранить внутри изделия или рядом с его электрическими частями: флаконы-спреи на основе легковоспламеняющихся веществ, взрывчатые материалы, электрические приборы, живых животных.

Флаконы-спреи, содержащие легковоспламеняющиеся вещества, могут иметь утечки таких газов, которые при контакте с электрическими частями могут воспламениться или взорваться.

Избегать появления огня и искр внутри изделия.

Избегать использования электрических приборов внутри изделия.



ВНИМАНИЕ! Изделие не предназначено для использования детьми младше 8 лет.

Прибор могут использовать дети старше 8 лет или лица с ограниченными физическими, сенсорными или ментальными способностями или не имеющие опыта и необходимых знаний, при условии наблюдения или после получения инструкций относительно безопасного использования изделия и понимания связанных с ним опасностей.

Дети не должны использовать изделие для игр. Чистка и техническое обслуживание выполняется пользователем и не должна выполняться детьми без присмотра.

Руководство по эксплуатации



ВНИМАНИЕ! Не касайтесь электрических вилок и выключателей, если ваши руки и ноги мокрые.

2. Инструкции по эксплуатации

Климатический класс указан на табличке, находящейся внутри прибора.

SN или **субнормальный климатический класс** (температура окружающей среды от 10°C до 32°C);

N или **нормальный климатический класс** (температура окружающей среды от 16°C до 32°C);

ST или **субтропический климатический класс** (температура окружающей среды от 16°C до 38°C);

T или **тропический климатический класс** (температура окружающей среды от 16°C до 43°C);

2.1 Регулировка температуры с помощью термостата

Температура изделия регулируется вращением ручки термостата:

-Термостат А:

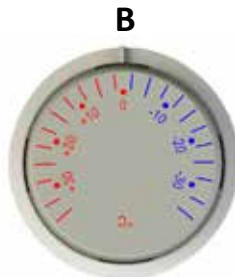
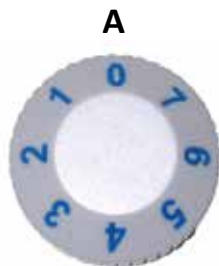
1 соответствует самой высокой внутренней температуре, 7 соответствует самой низкой внутренней температуре.

-Термостат В:

Значения температуры, указанные на ручке, соответствуют желаемой внутренней температуре.

Рекомендуется поддерживать внутри изделия температуру 5-6°C. Внешняя температура влияет на температуру изделия, поэтому может быть затруднительно поддерживать правильную внутреннюю температуру, если изделие подвергается воздействию тепла и прямых солнечных лучей.

Ручка термостата



Модели BI29, BI41 и BI92, которые называются “Dual”, имеют термостат В и могут использоваться как в качестве холодильников, так и в качестве морозильных камер в следующих диапазонах температур:

BI29 Dual от +10°C до -12°C

BI41 Dual от +10°C до -10°C

BI92 Dual от +10°C до -20°C

2.2 Рекомендации по эксплуатации

- Если это возможно, изделие следует включить примерно за 6 часов до помещения в него продуктов.
- Частое открывание изделия приводит к большому расходу электроэнергии.
- Соответствующая вентиляция компрессора и конденсатора значительно уменьшает потребление электроэнергии.
- Никогда не загромождайте систему вентиляции изделия.
- Электрооборудование должно быть в отличном состоянии, регулярно проверять батареи и их уровень заряда. Всегда использовать отдельную стартерную батарею для двигателя.
- Всегда содержать чистой и сухой внутреннюю часть изделия. Удалять конденсат из поддона для капель, расположенного под морозильным отделением холодильника, если таковой имеется.
- Изделие имеет защитный блок на случай низкого напряжения батареи. В случае блокировки компрессора следуйте инструкциям, приведенным в данном руководстве и/или обращайтесь к специализированным техникам или в сервисные центры Indel Webasto Marine S.r.l.
- Компрессор может работать под углом 30°; более высокие значения угла могут привести к повреждению компрессора.

3. Обслуживание



ВНИМАНИЕ! Операции технического обслуживания должны проводиться только после того, как изделие было отсоединено от источников питания.

Изделия Isotherm Built-In оснащены герметичным устройством охлаждения, не требующим обслуживания и добавления хладагента.

3.1 Размораживание

Так как испаритель работает при температурах ниже точки замерзания, на нем образуется лед и иней.

Влажность воздуха, температура и количество открытий двери значительно влияют на образование инея.

Всегда размораживать изделие, когда слой инея на испарителе достигает толщины 3-4 мм или больше.

Выключить изделие, повернув ручку термостата.

Выполнить размораживание, когда продукты могут находиться вне изделия в прохладном месте максимально долго. Не использовать острые предметы для удаления льда и инея с испарителя, так как можно повредить его, вызвав утечку хладагента.

Снова включить изделие только после размораживания, тщательно вымыв и вытерев его. Некоторые модели имеют отверстие в основании внутреннего поддона для упрощения выхода конденсата. При необходимости во время размораживания разместить полотенце у основания изделия для сбора воды.

3.2 Сезонное обслуживание

Сезонное обслуживание выполняется следующим образом:

1. Очистка конденсатора. В частности, необходимо удалить с помощью щетки/пылесоса всю пыль. Использовать мягкую щетку или пылесос.
2. Очистка внутреннего отсека. В частности, необходимо помыть внутренний отсек теплой водой с нейтральным моющим средством и вытереть все остатки конденсата/воды.

3.3 Обслуживание в случае длительного простоя

Зимой изделие должно храниться внутри транспортного средства, поскольку оно не работает при температурах, близких к 0°C или ниже. Выключая изделие для длительного простоя, необходимо дождаться его полного размораживания и полностью слить конденсат. Для предотвращения повреждения изделия, электрических/механических компонентов и возникновения грибка. Время естественного размораживания может варьироваться от нескольких минут до нескольких часов. Когда изделие выключено, оставить дверцу в приоткрытом положении для вентиляции и **отсоединить все источники питания.**

4 Защита от низкого напряжения

Для предотвращения чрезмерной разрядки батарей защитное устройство при недостаточном напряжении выключает компрессор и снова включает его, только когда напряжение оборудования увеличится вследствие зарядки батарей.

Напряжение системы	Напряжение выключения	Минимальное рабочее напряжение
12 В	9,6 (10,4) В	10,9 (11,7) В
24 В	21,3 (22,8) В	22,7 (24,2) В

При снятии перемычки в электронном блоке между С и Р действительны значения, указанные в скобках.



ПРЕДУПРЕЖДЕНИЯ: Перед включением изделия всегда проверять, чтобы батареи были в оптимальном состоянии.

Руководство по эксплуатации

5 Предупреждения при установке



ВНИМАНИЕ!



Для гарантии надежной работы при установке и подключении изделия необходимо придерживаться указаний, приведенных в настоящем руководстве по эксплуатации.



ВНИМАНИЕ! Во время транспортировки



и установки

изделия всегда используйте СИЗ (средства индивидуальной защиты)



ВНИМАНИЕ! За любые изменения, внесенные в изделие без ведома изготовителя, ответственность несут те, кто осуществил такие изменения.

Изменения, внесенные без согласия компании Indel Webasto Marine S.r.l., влекут за собой аннулирование гарантии и могут привести к аннулированию декларации соответствия применимым директивам.



ВНИМАНИЕ! Перед использованием изделия убедиться в отсутствии видимых повреждений механических и электрических компонентов.



ВНИМАНИЕ! Не повреждать трубы холодильного контура, брызги охлаждающей жидкости могут повредить зрение.



ВНИМАНИЕ! В случае повреждения изделия немедленно информировать фирму-поставщика до выполнения подключения.



ВНИМАНИЕ! Если кабель питания поврежден, то он должен быть заменен производителем, сервисными центрами или квалифицированными специалистами.



ВНИМАНИЕ! Установить изделие в сухом месте, защищенном от брызг воды. Электрические части НЕ должны подвергаться воздействию дождя и/или водяных брызг.



ВНИМАНИЕ! Установить изделие вдали от газовых баллонов или установок сжиженного газа.



ВНИМАНИЕ! Прибор должен быть установлен в доступном для обслуживания месте. Отсек для размещения частей, находящихся под напряжением, и блока конденсатора/компрессора должен открываться только намеренно и к нему не должно быть прямого доступа.



ВНИМАНИЕ! Место установки компрессора/конденсатора изготавливается непременно из материала, устойчивого к испытанию пламенем с иглой, предусмотренной EN 603 335 --- 1, или отстоять более, чем на 5 см от электрических и/или электронных приборов.



ВНИМАНИЕ! Если имеется зарядное устройство, оно должно подключаться к аккумуляторной батарее и никогда напрямую к изделию.



ВНИМАНИЕ! Прибор должен быть защищен от непрямого контакта в соответствии с нормативом по току высокого напряжения “Heavy Current Regulations”.



ВНИМАНИЕ! Для предотвращения тяжелых персональных травм, при подключении питания от электрической сети переменного тока убедиться, что сеть имеет заземление и отсечные устройства (выключатели), позволяющие полностью отключить электрический ток от изделия, а также имеет защитные устройства, автоматически срабатывающие в случае неисправности.



ВНИМАНИЕ! Не дотрагиваться до потенциально поврежденных или не изолированных кабелей, когда подключено электропитание. Это особенно касается случаев, когда изделие подключено к сетевому напряжению 115 В или 230 В.

Руководство по эксплуатации

5.1 Установка

Изделия Isotherm разработаны и изготовлены исключительно для встраивания.



ВНИМАНИЕ! Изделие должно быть установлено в горизонтальном положении, резиновые ножки компрессора должны располагаться внизу.

Компрессор может работать при угле наклона до 30°.



ВНИМАНИЕ! При большем угле наклона компрессор может повредиться.

Дистанционный компрессор также должен быть установлен резиновыми ножками вниз.

Закрепить изделие таким образом, чтобы оно не перевернулось/не скользило в условиях беспокойного моря или при резких движениях транспортного средства. Обеспечить закрепление изделия по крайней мере в 2 точках, в соответствии с требованиями нормы EN 60335-2-24.

Поставляемые в комплекте с изделием крышки (Рис. 3В) имеют изоляцию и оснащены соответствующими уплотнениями, что обеспечивает правильную работу изделия и поддержание правильной температуры, но имеют необработанную поверхность и не имеют шарнирных соединений или ручек.

Выполнить установку облицовки для крышек (не поставляется Indel Webasto Marine Srl), как показано на (Рис. 3А), закрепляя возможные шарнирные соединения и/или ручки на облицовке.



ВНИМАНИЕ! убедиться в правильном закрытии крышки, проверить, что уплотнение герметично закрывает контейнер.

5.2 Вентиляция

Необходимо обеспечить хорошую вентиляцию компрессора/конденсатора, чтобы свежий воздух мог поступать снизу, а теплый воздух мог выходить сверху.

На иллюстрациях (Рис. 1-2) показан пример, как должна быть подготовлена ниша для встраивания изделия.

5.3 Электрические подключения

Для подключения к электрооборудованию транспортного средства выполнить нижеследующее:

- Перед подключением изделия к сети электропитания необходимо убедиться, что напряжение в сети соответствует напряжению, указанному на табличке изделия.
- Подключить изделие непосредственно к батарее или соответствующему главному выключателю и убедиться, что оборудование оснащено электрическим устройством, которое в состоянии защитить контур от сверхтоков.

Если напряжение питания отличается от питания 12/24 В пост. тока, установить дифференциальный автоматический выключатель $\Delta I 0,03A$. Избегать подключений с помощью электроцита транспортного средства, так как это может вызвать падения напряжения.

- Установить перед изделием плавкий предохранитель (см. таблицу ниже). Подсоединить красный провод к положительному полюсу электрической системы и черный провод – к отрицательному. Использовать опрессованный кабельный наконечник, подходящий к размеру кабеля.
- Необходимо установить перед изделием отдельный выключатель, одновременно отключающий кабели питания, проверить, что он может выдержать указанную ниже в таблице нагрузку.

Модели	12Впост.тока	24Впост.тока
BI29Dual, BI36, BI40, BI41Dual, BI53F, BI75, BI92Dual	15A	7,5A



ВНИМАНИЕ! Если имеется зарядное устройство, оно должно подключаться к аккумуляторной батарее и ни в коем случае не должно подключаться непосредственно к изделию.

Все электрические схемы размещены в заключительной части руководства по эксплуатации.

Руководство по эксплуатации

5.4 Размеры электрических кабелей

Всегда использовать кабели с соответствующим сечением. Ниже приведена таблица с минимальными сечениями:

Сечение мм ²	Сечение AWG	Максимальная длина кабеля 12В м/фут	Максимальная длина кабеля 24В м/фут
2.5	13	2.5/8	5/16
4	11	4/13	8/26
6	9	6/19	12/39
10	7	10/33	20/66

5.5 Внутренняя подсветка (только в специальных моделях)

Для замены светодиодной лампы: с помощью специального рычажка нажать стекло осветительного блока по направлению вниз. Заменить лампу и снова установить блок освещения (Рис. 4-5).

Использовать только оригинальные запасные части Indel Webasto Marine Srl.

6 Технические данные (стандартные конфигурации)

Рабочее напряжение : 12 или 24 В пост. тока

Указанный средний расход измерен при внутренней температуре +5°C и внешней температуре 25°C в соответствии со стандартом ISO 15502:2005 и EN 153:2006

Средний расход значительно зависит от способа использования изделия и типа вентиляции.

Тип и количество газа в системе указаны на табличке данных изделия.

Изделия соответствуют требованиям действующей директивы по электромагнитной совместимости и имеют маркировку CE.

Модель	Мгновенное потребление 12/24 Впост.тока (Ампер)	Мгновенное потребление 12/24 Впост.тока (Ватт)	Среднее потребление при 25°C (Втч/24ч)
BI 29 Dual	6,0/3,0	72	250
BI 36	6,0/3,0	72	350
BI 40	6,0/3,0	72	270
BI 41 Dual	6,0/3,0	72	270
BI 53F	7,0/3,5	85	260
BI 75	6,0/3,0	72	340
BI 92 Dual	7,0/3,5	85	360

Руководство по эксплуатации

7 Поиск неисправностей

Все операции с электрическими частями, электрическими подключениями и с холодильным контуром должны выполняться квалифицированным и уполномоченным персоналом.

Внимание: Перед выполнением любых операций с электрическими частями или электрическими подключениями отключить электропитание.

Неисправность	Возможная причина	Устранение
Изделие не охлаждается, компрессор не включается.	Отсутствие электропитания. Батарея в негодном состоянии. Термостат поврежден. Электронный блок управления неисправен.	Проверить, что электронный блок управления получает достаточное питание и напряжение, проверить плавкий предохранитель. Проверить, что работает внутреннее освещение, и компрессор получает питание. Проверить кабели, обжимные соединители и коннекторы. Проверить, что батарея правильно заряжается. Проверить термостат: Закоротить Т - С с помощью отдельного кабеля. Если компрессор не включается, вероятно поврежден электронный блок управления. Заменить его. Если компрессор включается при перемычке, поврежден термостат. Заменить термостат.
Компрессор выполняет только короткие попытки включения.	Недостаточное напряжение или падение напряжения во время попытки включения активирует защиту. Батареи разряжены.	Проверить кабели и подключения, удалить возможные следы окисления или коррозии. Зарядить батареи, включить двигатель или подключить к зарядному устройству
Компрессор работает, но не охлаждает.	Утечка хладагента из испарителя или труб. Трубопровод засорен.	Выполнить испытание на герметичность и ликвидировать возможные утечки, откачать и добавить необходимое количество хладагента . (Эта операция должна выполняться техником).
Компрессор работает продолжительное время, но охлаждает недостаточно (сниженная эффективность).	Недостаточная вентиляция, перегрев конденсатора. Крыльчатка вентилятора не работает Избыток инея на испарителе. Дверца закрывается неправильно, пропуская горячий воздух и влажность. Конденсатор засорен пылью.	Увеличить вентиляцию. Заменить вентилятор. Разморозить. Исправить положение дверцы, проверить уплотнение. Очистить конденсатор.
Сработал плавкий предохранитель.	Плавкий предохранитель неисправен. Электронный блок управления неисправен.	Проверить плавкий предохранитель: см. таблицу в параграфе 4.4 Заменить электронный блок управления.

Компрессор работает с перебоями.	Батарея разряжена или электрические кабели находятся в плохом состоянии.	Для поиска слабо затянутых подключений, жвачины или окиси меди проверить состояние кабельной проводки. В случае, если кабельную проводку необходимо заменить, см. руководство по эксплуатации для получения сведений о правильном размере кабелей. Если кабельная проводка находится в хорошем состоянии, проверить функциональность батареи и, в случае ее непригодности, заменить ее.
Компрессор работает непрерывно (при правильных рабочих характеристиках холодильника)	Неправильное подключение термостата к электронному блоку управления. Термостат неисправен. Конденсация осуществляется неправильно, испаритель охлаждается, но недостаточно для того, чтобы термостат остановил компрессор.	Повернуть термостат в положение "выключено", если холодильник продолжает работать, значит имеется непрерывность на электронном блоке. Исправить подключение термостата (проверить на электронном блоке, имеется ли перемычка между С и Р, а не между С и Т). Повернуть термостат в положение "выключено", если компрессор выключается, но невозможно регулировать температуру, заменить термостат или перезагрузить систему охлаждения.
Компрессор работает непрерывно (при неудовлетворительных рабочих характеристиках холодильника)	Очень жаркая окружающая среда + недостаточная вентиляция или недостаток газа в охлаждающем контуре.	Проверить вентиляцию, компрессор должен быть установлен в месте, где имеется хорошая вентиляция. Если возможно, извлечь холодильник из ниши, где он установлен, если холодильник работает лучше, улучшить вентиляцию, обращаясь к руководству по эксплуатации для получения сведений о правильной установке. Если вентиляция является оптимальной, проверить наличие газа в системе, обратившись к специализированному технику.
Морозильный отсек холодный, а холодильный отсек нет.	Недостаточная вентиляция, недостаток газа в охлаждающем контуре, перебои в подаче электропитания.	Проверить вентиляцию, компрессор должен быть установлен в месте, где имеется хорошая вентиляция. Если возможно, извлечь холодильник из ниши, где он установлен, если холодильник работает лучше, улучшить вентиляцию, обращаясь к руководству по эксплуатации для получения сведений о правильной установке. Проверить состояние электрических подключений и батареи. Если вентиляция является оптимальной, проверить наличие газа в системе, обратившись к специализированному технику.
Избыток льда на испарителе.	Проникновение влаги в холодильник.	Проверить состояние уплотнителя на всех четырех сторонах двери, уплотнитель должен идеально закрываться. Если образование льда больше с одной стороны, очень вероятно проникновение влажности в холодильник с этой стороны. С помощью источника тепла умеренной силы придать уплотнителю правильную форму. Если придать форму уплотнителю невозможно, заменить всю дверь.

Руководство по эксплуатации

Холодильник охлаждает слишком сильно.	В изделие попала влага.	Конечная часть зонда должна находиться в контакте с испарителем, установить зонд в правильное положение. Если холодильник продолжает охлаждать слишком сильно, заменить термостат.
Компрессор издает больше шума, чем обычно.	Компрессор не закреплен достаточно в своем гнезде или дотрагивается до стены/стенки.	Проверить затяжку винтов компрессора и отсутствие его контакта с какими-либо предметами. Компрессор вибрирует и при контакте с ним каких-либо предметов вибрации усиливаются.
Вентилятор/ы издает больше шума, чем обычно.	Конструкция вентилятора согнута или вентилятор неисправен.	Удалить зажимы/винты, использовавшиеся для закрепления вентилятора. Если вентилятор продолжает издавать шум, заменить его. Проверить, что все части вентилятора являются целыми, при отсутствии одного или нескольких крыльев, заменить вентилятор.
Внутреннее освещение не загорается.	Инвертированная полярность или неисправная лампочка.	Проверить полярность лампочки. Если полярность правильная, заменить лампочку.
Дверь/ящик не закрывается правильно.	Неправильное расположение шарнирных соединений или деформированный уплотнитель.	Переустановить шарнирные соединения таким образом, чтобы дверь закрывалась правильно. использовать умеренный источник тепла для придания правильной формы уплотнителю. Если проблема остается, заменить дверь. В случае выдвижных холодильников, использовать регулируемые направляющие для выравнивания двери.

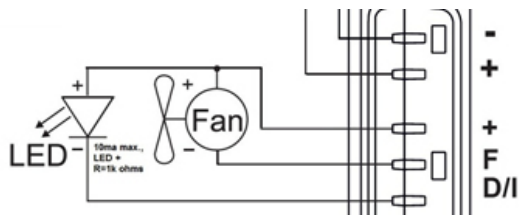
В случае наиболее сложных неисправностей, требующих специализированной помощи, обращаться в компанию Indel Webasto Marine или к местному дистрибьютору Isotherm.

8 Светодиодные индикаторы для диагностики

Электронный блок управления имеет функцию поиска ошибок, если светодиодный индикатор подключен, как показано ниже.

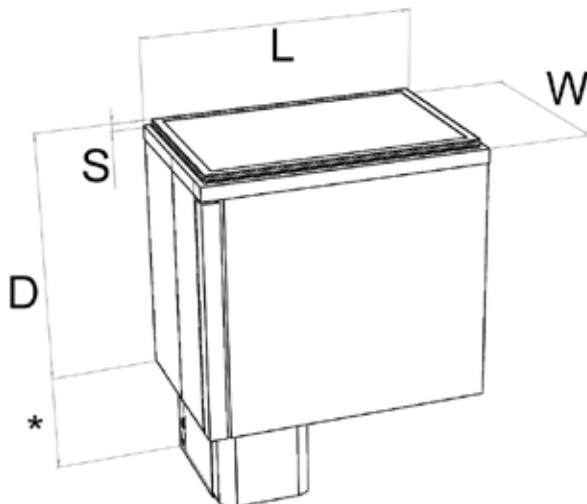
Количество миганий указывает тип ошибки.

Число миганий светодиодного индикатора	Тип ошибки	Разрешение
6	Зонд поврежден (зонд поврежден или не подключен)	Подсоединить зонд и проверить, что компрессор снова работает. Если компрессор не работает, заменить зонд.
5	Термическая защита электронного блока. (если охлаждающая система загружена слишком сильно или температура окружающей среды слишком высокая, электронный блок перегревается)	Удалить излишек газа или усилить вентиляцию.
4	Ошибка минимальной скорости двигателя (если охлаждающая система загружена слишком сильно или двигатель не может удерживать минимальную скорость приблизительно 1.850 об./мин.).	Удалить излишек газа.
3	Ошибка запуска двигателя (если ротор заблокирован или давление внутри охлаждающего контура слишком высокое (> 5 бар). Электронный блок управления неисправен.	Первая операция - замена электронного блока. Если проблема остается, заменить компрессор.
2	Короткое замыкание вентилятора. (вентилятор потребляет более 1А от электронного блока).	Заменить вентилятор.
1	Защита батареи (вольтаж находится за пределами минимального и максимального вольтжа).	Проверить состояние кабелей питания. Если необходимо, заменить их на новые. Проверить состояние батареи.



Руководство по эксплуатации

9 Размеры



Модель	Ширина (мм) [W]	Длина (мм) [L]	Глубина (мм) [D]	Толщина двери (мм) [S]	Сечение (мм) W:H	Верхняя кромка (мм) W:H	Трубы 1	Примечания
BI 29 Dual	342	510+160*	330	35 вкл.	344:500	343:499	/	REM
BI 36	240	438	555+160*	35 вкл.	442:244	/	+25	REM
BI 40	395	400+160*	400	40 вкл.	399:399	415:415	+20	REM
BI 41 Dual	342	497	468+160*	14 вкл.	344:500	343:499	/	REM
BI 53F	425	645	470+160*	/	429:649	430:648	+15	REM
BI 75	425	645	470+160*	/	429:649	430:648	+15	REM
BI 92 Dual	480	801	455+160*	/	484:805	484:804	+25	REM

ПРИМЕЧАНИЯ:

REM: Поставляемое изделие предоставляет возможность смещения узла компрессора в зависимости от длины поставляемых труб. вкл.

1: Эта отметка указывает расстояние, необходимое для вывода труб из изделия, для их возможного изгиба.

В СООТВЕТСТВИИ СО СТАНДАРТОМ И ДЛЯ ПРАВИЛЬНОЙ РАБОТЫ РЕКОМЕНДУЕТСЯ, ЧТОБЫ РАССТОЯНИЯ МЕЖДУ НАРУЖНЫМИ СТЕНКАМИ ХОЛОДИЛЬНИКА И ВНУТРЕННИМИ СТЕНАМИ МЕБЕЛИ БЫЛИ СЛЕДУЮЩИМИ: 20мм для стенок, где нет компрессора, и 50мм для стенок, где имеется компрессор. Если отсутствует возможность соблюдать данные правила, минимальные значения расстояний должны составлять 5 мм, и материал, из которого выполнены стены, должен быть взрывобезопасным.

10 Гарантия

Гарантия Indel Webasto Marine соответствует директиве ЕС 2019/771.

Срок годности

Гарантия на изделие действительна в течение 2 лет в отношении стоимости рабочей силы для ремонта или замены, но только если работы осуществляются в авторизованных центрах сервисного обслуживания IWM.

За детальной информацией об условиях продажи в США обращайтесь к Indel Webasto Marine USA.

Срок действия начинается с:

- a) Даты продажи, указанной в счете или чеке на покупку изделия
- b) Даты счета или регистрационного документа первой продажи морского судна, на котором он установлен, если установлен производителем транспортного средства.
- c) В отсутствие одного из указанных документов действительной датой является неделя производства, указанная в S/N (серийный номер).

Замена изделия или компонента не изменяет срок действительности.

Гарантия распространяется на:

- Замену или ремонт изделия или одного или более компонентов, признанных неисправными из-за производственных дефектов.
- Поломку или неполадки в работе компонентов в течение действия гарантии, несмотря на доказанную правильную установку и правильное использование.
- Рабочую силу и перемещения в зависимости от рабочих режимов, описанных ниже.
- Затраты на доставку изделия для замены (за исключением сборов за таможенное оформление)

Гарантия не распространяется на дефекты, повреждения или неисправности, вызванные:

- Халатностью, небрежностью или непредусмотренным применением
- Неправильной установкой или неосторожным использованием
- Недостаточной вентиляцией
- Неправильным электрическим соединением
- Электропроводкой, с размерами менее номинальных
- Неправильным обслуживанием или техническим обслуживанием, выполненным неуполномоченным персоналом
- Несоблюдением инструкций, приведенных в данном руководстве
- Повреждениями при транспортировке
- Сборов за таможенное оформление

Гарантия

- Компоненты, подверженные износу, предохранители и т.д..
- Профессиональное использование
- Повреждения, вызванные погодными условиями
- Цена на демонтаж и / или повторный монтаж для мебели или для других конструкций.

Информация, необходимая для определения случаев, покрытых гарантией:

- Код изделия (указан на этикетке изделия)
- S/N (серийный номер) (указан на этикетке изделия)
- Счет-фактура или товарный чек (или регистрационный документ, см. выше в разделе «Период действительности»)
- Подробное описание дефекта. (Если возможно, приложить фотографии)
- Описание установки с особым вниманием к вентиляции и электропроводке. (Если возможно, приложить фотографии)

(Если будет установлено, что случай не покрывается гарантией, заказчик должен оплатить все расходы на ремонт, замену, рабочую силу, перемещение людей и транспорта. IWM не обязана нести никаких расходов.)

Действия, которые необходимо предпринять после того, как выяснилось, что случай покрывается гарантией:

Гарантийные операции с изделиями, установленными на судах, должны выполняться исключительно сервисными центрами (CAT) сети IWM (см. список на сайте www.indelwebastomarine.com) IWM не оплачивает стоимость работ, произведенных другими центрами.

Для работы с изделием, установленным на судне, уполномоченный компанией IWM техник CAT выезжает, если судно находится на расстоянии не более 100 км от CAT. IWM оплачивает стоимость данной поездки. Если судно находится на расстоянии более 100 км от CAT, клиент может выбрать оплату проезда техника (в этом случае оплата производится непосредственно технику) или переместить судно ближе.

Для поиска ближайшего сервисного центра и за информацией об условиях выезда технических специалистов в США обращайтесь к Indel Webasto Marine USA.

IWM не оплачивает какие-либо запасные части, приобретенные у третьих лиц.

Изделия установленные на рекреационный судах (RV):

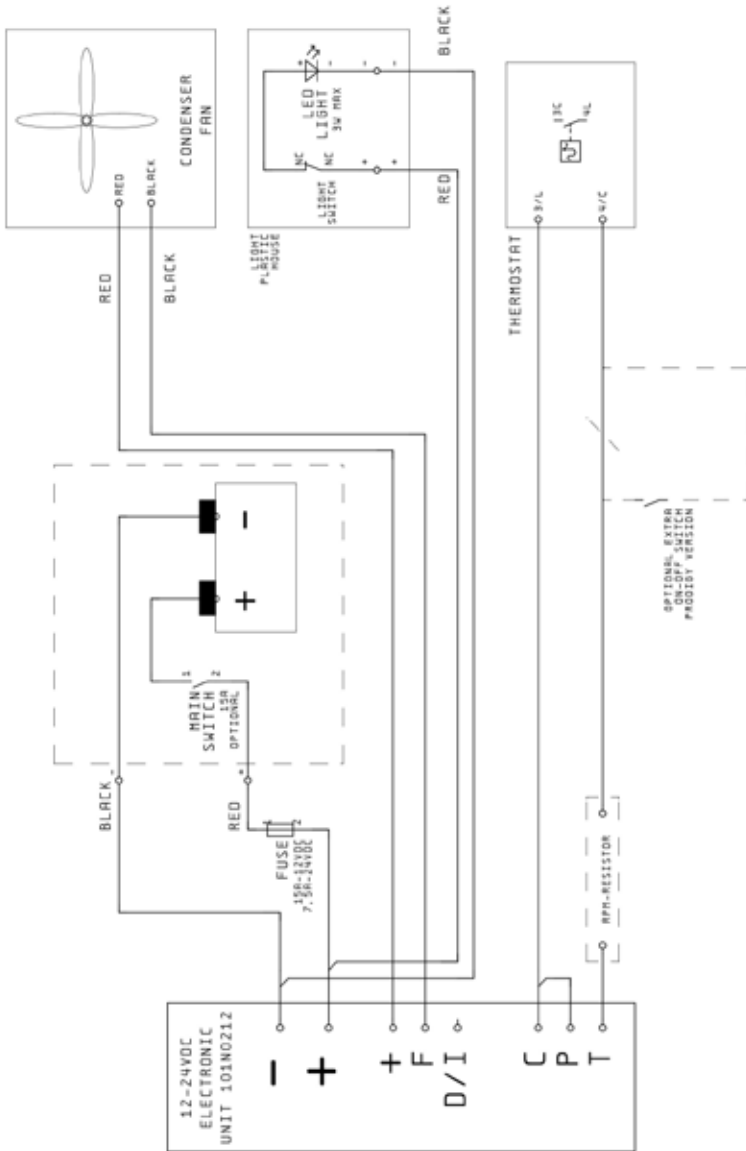
Гарантийные работы должны проводиться исключительно центрами технического обслуживания сети компании Webasto.

Транспортное средство следует привезти в сервисный центр.

Чтобы найти ближайший сервисный центр, посетите сайт www.webasto.com

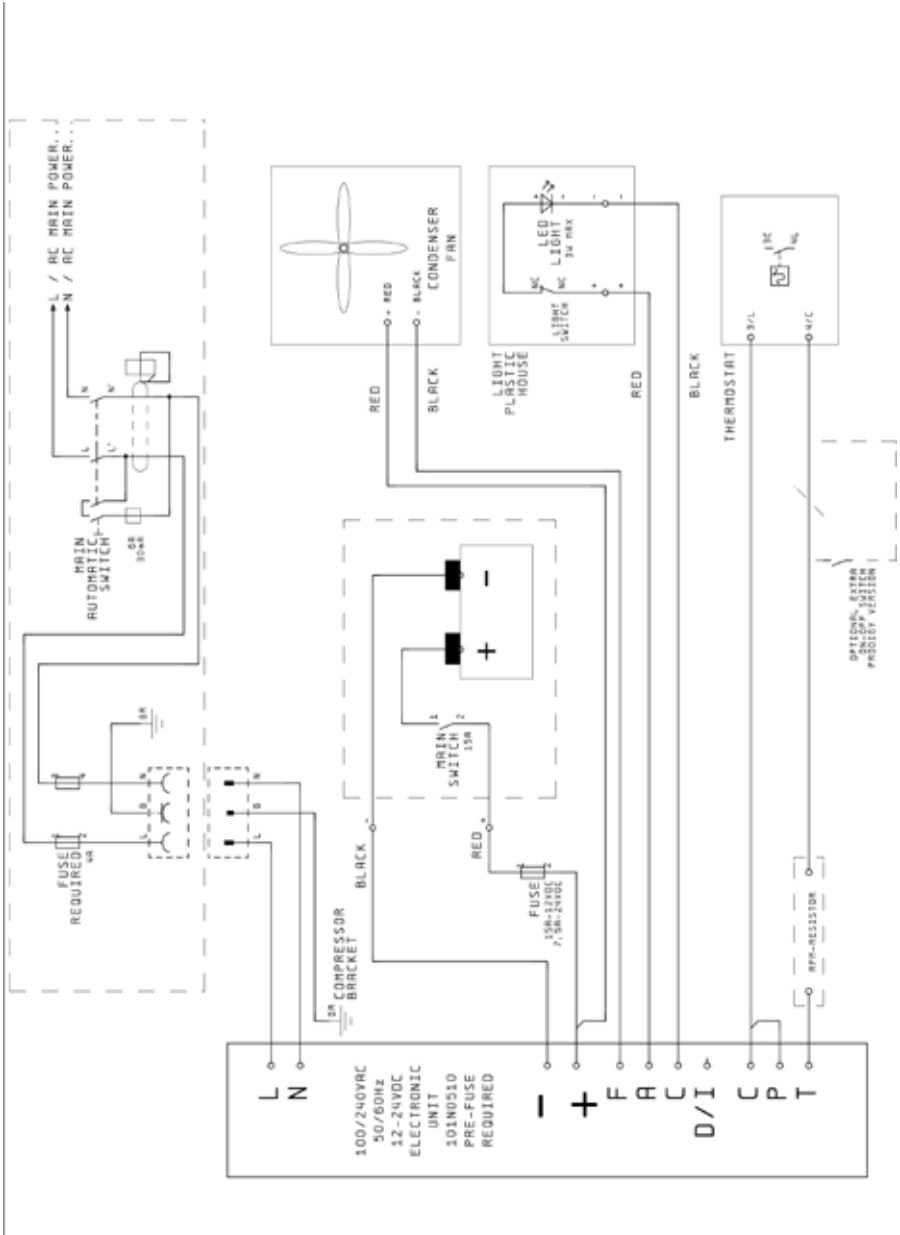
За информацией об условиях обслуживания изделий, установленных на рекреационных судах в США, обращайтесь к Indel Webasto Marine USA.

Built-In 12/24 Volt



Isotherm Built-In Serie

AC-DC Built-In 12/24 Volt 115-230 Volt





Indel Webasto Marine Srl
Via Montefeltro, n° 118/c - Secchiano
47863 - Novafeltria (RN) - ITALY
Tel. +39 0541 848030
E-MAIL: info@indelwebastomarine.com
WEB: www.indelwebastomarine.com



Indel Webasto Marine USA
3391 SW 42nd Street
Hollywood FL - 33312
Phone (954) 984 8448 - Fax (954) 979 2533
E-MAIL: info@iwmarine.com
WEB: www.indelwebastomarine.com/us