

LOWRANCE®

ICE TRANSDUCERS INSTALLATION GUIDE



For product manuals, technical specifications, certificates and declarations refer to the product website:

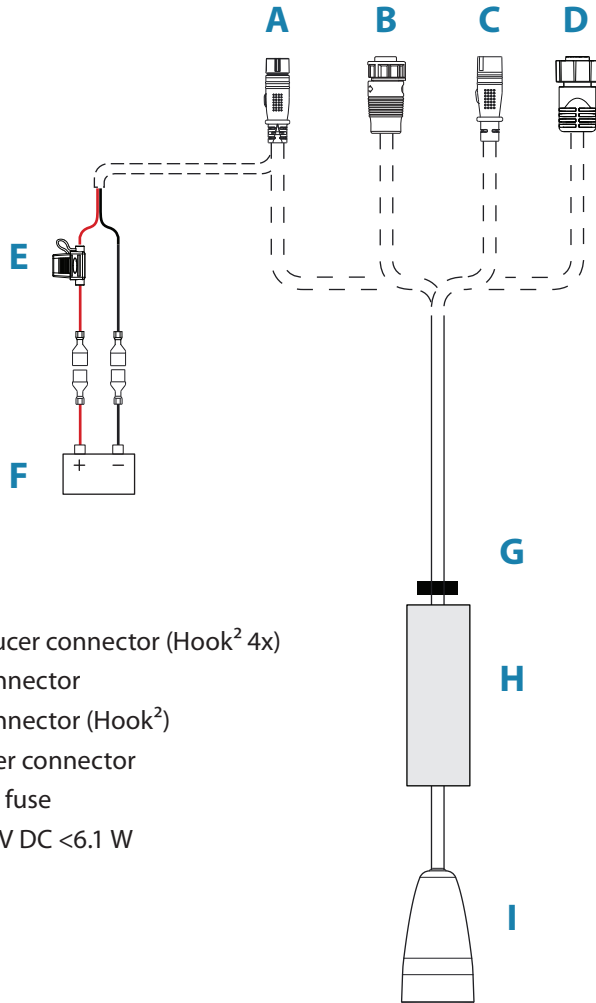
www.lowrance.com



Technical specifications

Weight	
Hook ² 4x Ice transducer	0.25 kg (0.55 lbs)
7 pin blue connector Ice transducer	0.23 kg (0.50 lbs)
8 and 9 pin Ice transducers	0.23 kg (0.50 lbs)
Cable length	2.1 m (7 ft)
Frequency	83/200 kHz
Beam width (at -3 dB)	38° at 83 kHz / 17° at 200 kHz
Max depth	152.4 m (500 ft)

Cable connector variants and parts



- A.** 7 pin power/transducer connector (Hook² 4x)
- B.** 9 pin transducer connector
- C.** 8 pin transducer connector (Hook²)
- D.** 7 pin blue transducer connector
- E.** Fuse holder and 3 A fuse
- F.** Battery, 10.4 to 17.0 V DC <6.1 W
- G.** Rubber grommet
- H.** Ice foam float
- I.** Transducer