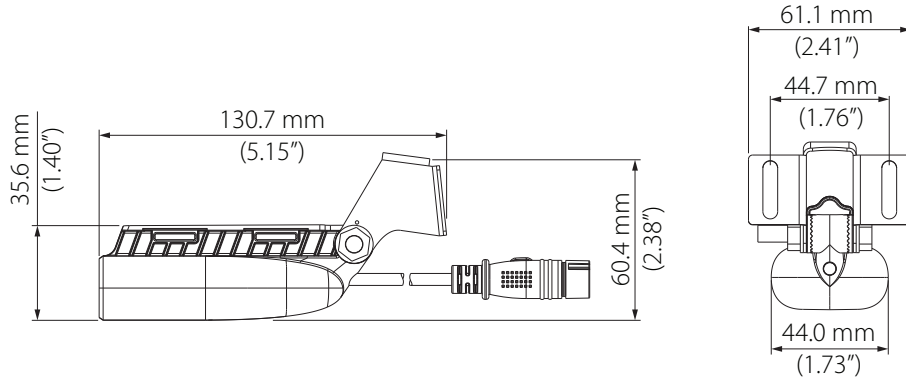


Details



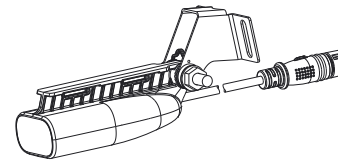
Environmental	
Operating temperature	-15°C to +55°C (+5°F to +131°F)
Storage temperature	-30°C to +70°C (-22°F to +158°F)
Physical	
Weight	0.26 kg (0.582 lbs)
Cable length	6 m (20 ft)
Mounting options	Transom or trolling motor
Number of pins	8 pins (4 pins populated)
Sonar	
Output	Depth and temperature
Frequency	Traditional: 200 kHz/High Chirp* DownScan: 455 kHz, 800 kHz
Beam width (@ -3dB)	Traditional: 44° @ 200 kHz/High Chirp* DownScan: 55/3° @ 455 kHz, 35/1.6° @ 800 kHz
Max depth	Traditional: 152 m (500 ft) @ 200 kHz/High Chirp* DownScan: 91 m (300 ft) @ 455 kHz, 46 m (150 ft) @ 800 kHz
Max speed	57 knots (55 mph)

* CHIRP only available on sonar + Chartplotter models

LOWRANCE®

SPLITSHOT TRANSDUCER

INSTALLATION GUIDE



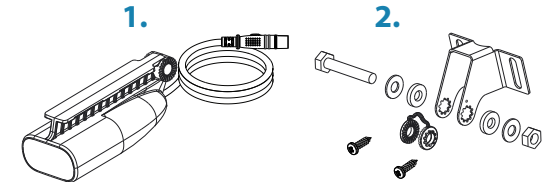
For product manuals, technical specifications, certificates and declarations refer to the product website:

www.lowrance.com

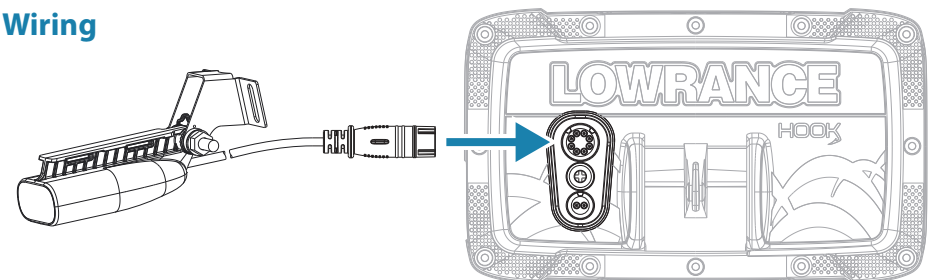


Parts included

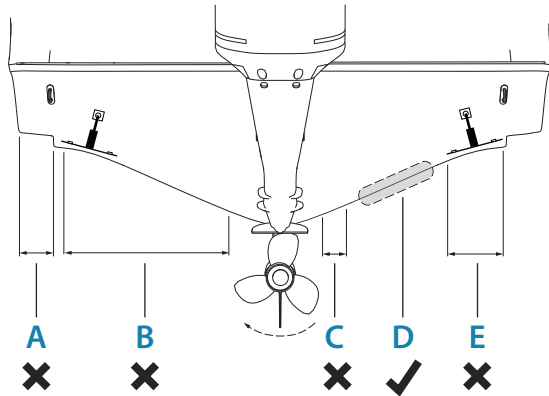
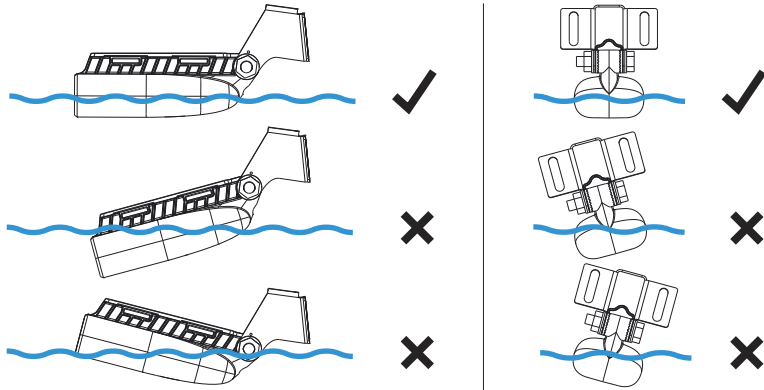
1. Transducer with cable
2. Transom mounting kit
 - 1x bolt and locking nut
 - 2x metal washers
 - 2x rubber washers
 - 1x bracket and ratchet
 - 2x self-tapping screws



Wiring



Mounting guidelines

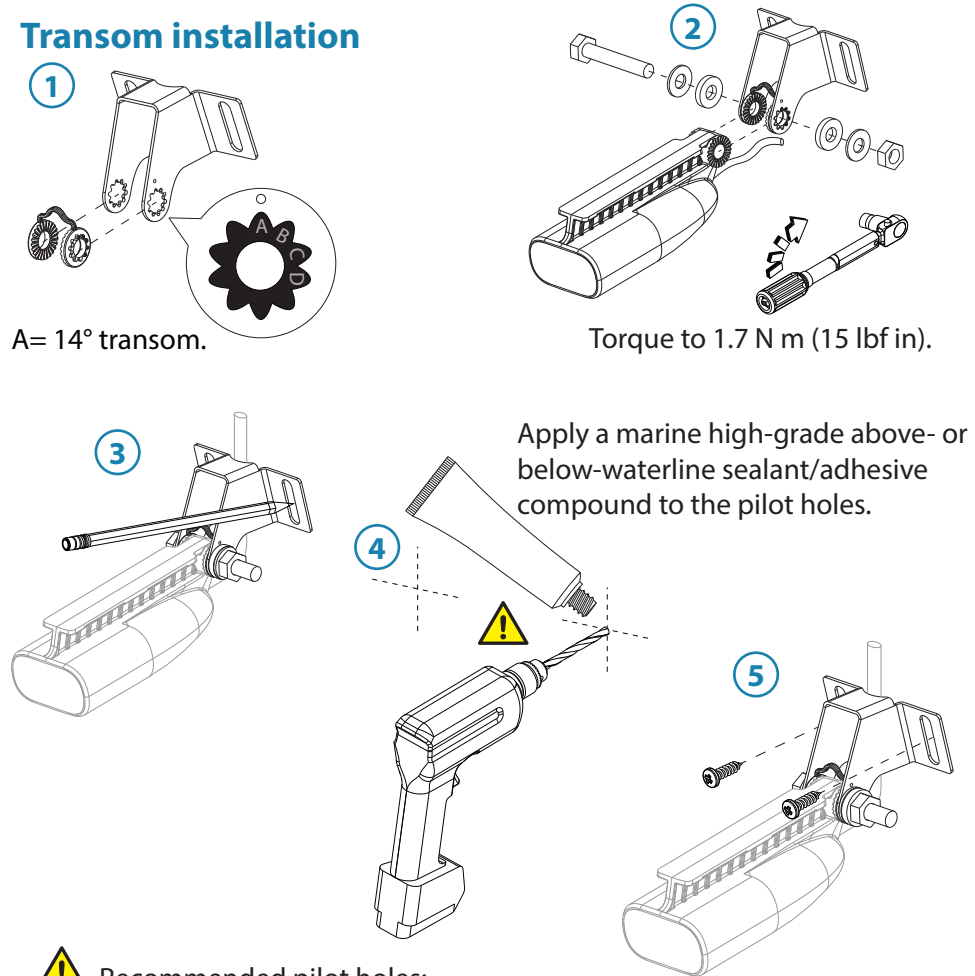


- A.** Planing strake - avoid mounting
- B.** Avoid mounting within 1 m (3.3') to port (left) of propeller
- C.** Avoid mounting within 7.5 cm (3") to starboard of propeller
- D.** Best mounting location - undisturbed water flow
- E.** Trim tabs can cause turbulence - avoid mounting

Note: Example above describes a conventional clockwise propeller rotation configuration. Mirror the example if your boat has a counterclockwise propeller rotation configuration.

Note: If the transducer is not placed in a smooth flow of water, interference caused by bubbles and turbulence may show on screen in the form of random lines or dots. The unit could also lose bottom signal when the boat is on plane. The sonar will not work while the transducer is out of the water.

Transom installation



A = 14° transom.

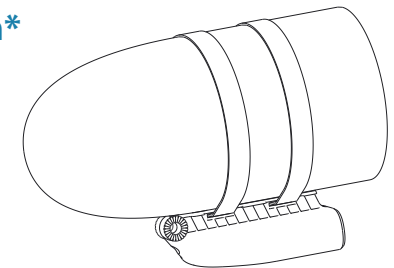
Torque to 1.7 N m (15 lbf in).

Apply a marine high-grade above- or below-waterline sealant/adhesive compound to the pilot holes.

! Recommended pilot holes:

Material	10# screw
Soft materials e.g. Plywood	Ø 3.7-4.0 mm (5/32")
Hard materials e.g. Fiberglass, Acrylic, Hardwoods	Ø 4.2-4.7 mm (3/16")

Trolling motor installation*



*Hose clamp not included.