



Kabola Heating Systems B.V.

Placotiweg 1E • 4131 NL Vianen (Utr.) Holland
T +31 (0)347 320 030 • info@kabola.nl

IBAN: NL08 ABNA 0410 6900 74 • BIC: ABNANL2A
IBAN: NL78 INGB 0000 3212 38 • BIC: INGBNL2A

Kabola thermostat installation manual





Kabola Heating Systems B.V.

Placotiweg 1E • 4131 NL Vianen (Utr.) Holland
T +31 (0)347 320 030 • info@kabola.nl

IBAN: NL08 ABNA 0410 6900 74 • BIC: ABNANL2A
IBAN: NL78 INGB 0000 3212 38 • BIC: INGBNL2A

Contents

Introduction	3
Making a mounting hole for the built-in model of the room thermostat	4
90-001 Basic set for hot air heating	5
External Ambient Temperature Sensor	5
Electrical diagram connections	6
90-002 Basic Convection Heating Kit	7
External Ambient Temperature Sensor	7
Electrical diagram connections	8
Connection to Hybrid	9
Technical Specifications	11
90-003 Thermostat display.....	11
90-004 Motor controller	11





Kabola Heating Systems B.V.

Placotiweg 1E • 4131 NL Vianen (Utr.) Holland
T +31 (0)347 320 030 • info@kabola.nl

IBAN: NL08 ABNA 0410 6900 74 • BIC: ABNANL2A
IBAN: NL78 INGB 0000 3212 38 • BIC: INGBNL2A

Introduction

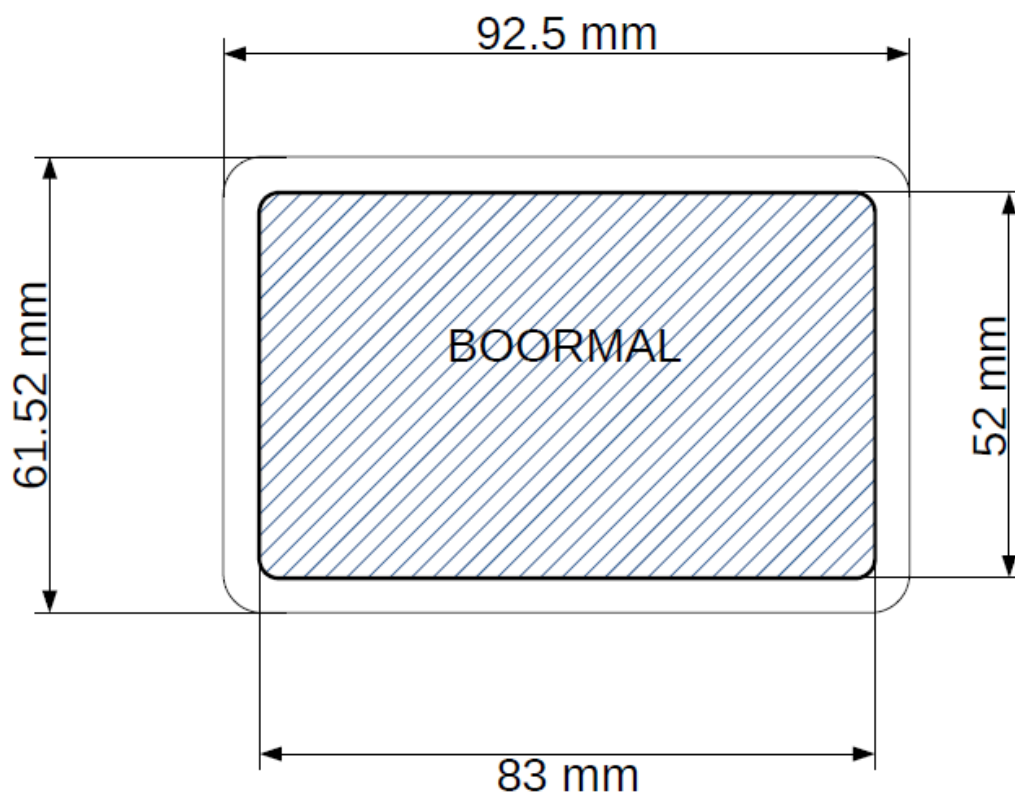
Thank you for purchasing the Kabola room thermostat. This installation guide describes how to insert and connect the thermostat.



Making a mounting hole for the built-in model of the room thermostat

For assembly, an opening must be made the size of:

90-003 buitenmaten en boormal



Boormal, ge-arceerd vlak(83x52mm)



Kabola Heating Systems B.V.

Placotiweg 1E • 4131 NL Vianen (Utr.) Holland
T +31 (0)347 320 030 • info@kabola.nl

IBAN: NL08 ABNA 0410 6900 74 • BIC: ABNANL2A
IBAN: NL78 INGB 0000 3212 38 • BIC: INGBNL2A

90-001 Basic set for hot air heating

Power supply for the set: 12-24VDC 10Ah.

The basic set for air heating can be used for systems consisting of up to 4 fan coil units and optionally one or more convection heating panels.

The air heating kit consists of the following components:

- 90-003: Kabola thermostat display (configured for air heating)
- 90-005: wiring harness for air heating
- 90-004: motor controller for 4 fans

In addition, a water temperature sensor is **required** for the system to work as intended. Kabola offers the sensors with different cable lengths:

- 90-008: sensor with 1.6 meter cable
- 90-012: sensor with 5 meter cable
- 90-013: sensor with 10 meter cable

External Ambient Temperature Sensor

The display uses an internal temperature sensor to detect the ambient temperature. If required, an external ambient temperature sensor (90-007) can be connected to the screw terminals on the back of the display.

If the external sensor is connected and working correctly, the external sensor is preferable to the internal sensor



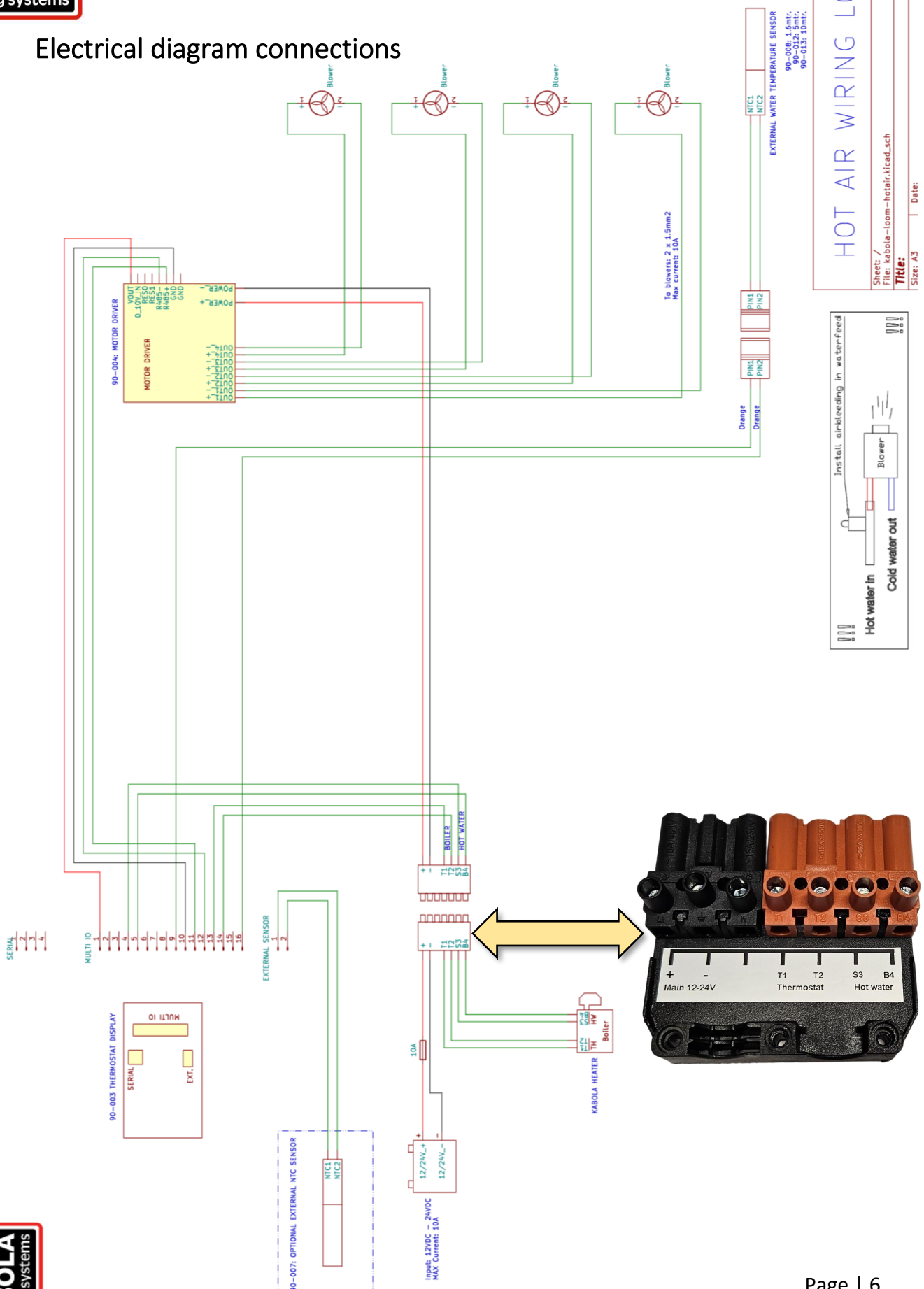
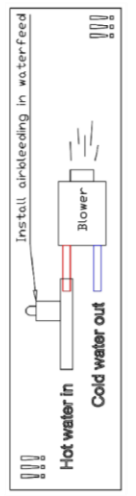
K.v.K 30142493 • BTW NL 80.61.04.247.B01

Op al onze offertes, op alle opdrachten aan ons en op alle met ons gesloten overeenkomsten zijn toepasselijk de METAALUNIEVOORWAARDEN, zoals deze luiden volgens de op de achterzijde afgedrukte tekst.

Electrical diagram connections

HOT AIR WIRING LC

Sheet: /
File: kabola-loom-hotair.kicad.sch
Title:
Size: A3 | Date:





Kabola Heating Systems B.V.

Placotiweg 1E • 4131 NL Vianen (Utr.) Holland
T +31 (0)347 320 030 • info@kabola.nl

IBAN: NL08 ABNA 0410 6900 74 • BIC: ABNANL2A
IBAN: NL78 INGB 0000 3212 38 • BIC: INGBNL2A

90-002 Basic Convection Heating Kit

Power supply for the set: 12-24VDC 1Ah.

The basic convection heating kit can be used for systems consisting of one or more convection heating panels.

The convection heater kit consists of the following parts:

- 90-003: Kabola thermostat display (configured for air heating)
- 90-006: wiring harness for convection heating
- 90-014: Optionally, a water temperature sensor can be connected to provide additional system information.

External Ambient Temperature Sensor

The display uses an internal temperature sensor to detect the ambient temperature. If required, an external ambient temperature sensor (90-007) can be connected to the screw terminals on the back of the display.

If the external sensor is connected and working correctly, the external sensor is preferable to the internal sensor.



K.v.K 30142493 • BTW NL 80.61.04.247.B01

Op al onze offertes, op alle opdrachten aan ons en op alle met ons gesloten overeenkomsten zijn toepasselijk de METAALUNIEVOORWAARDEN, zoals deze luiden volgens de op de achterzijde afgedrukte tekst.

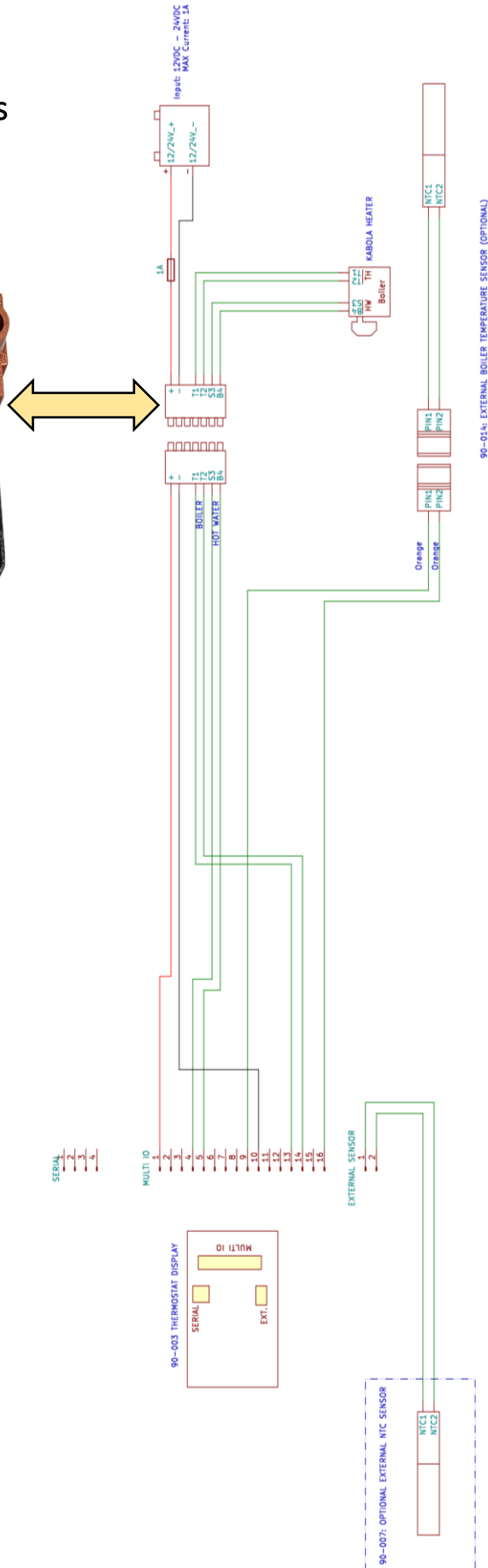
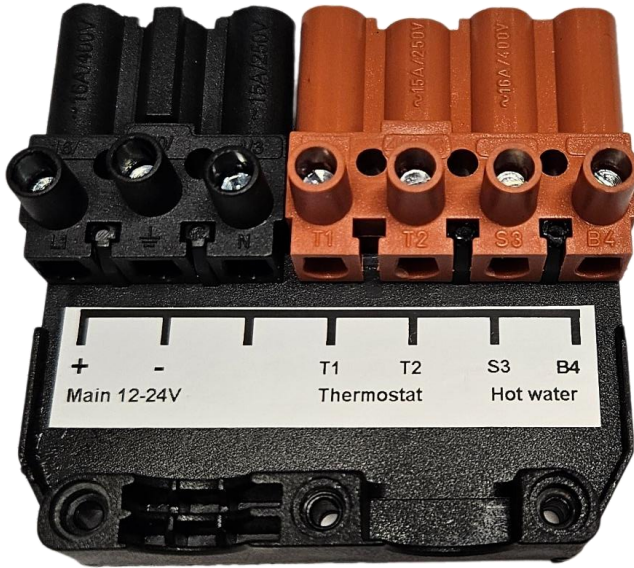


Kabola Heating Systems B.V.

Placotiweg 1E • 4131 NL Vianen (Utr.) Holland
 T +31 (0)347 320 030 • info@kabola.nl

IBAN: NL08 ABNA 0410 6900 74 • BIC: ABNANL2A
 IBAN: NL78 INGB 0000 3212 38 • BIC: INGBNL2A

Electrical diagram connections



KAB20_HU107_Kabola-factuurpapier



K.v.K 30142493 • BTW NL 80.61.04.247.B01

Op al onze offertes, op alle opdrachten aan ons en op alle met ons gesloten overeenkomsten zijn toepasselijk de METAALUNIEVOORWAARDEN, zoals deze luiden volgens de op de achterzijde afgedrukte tekst.



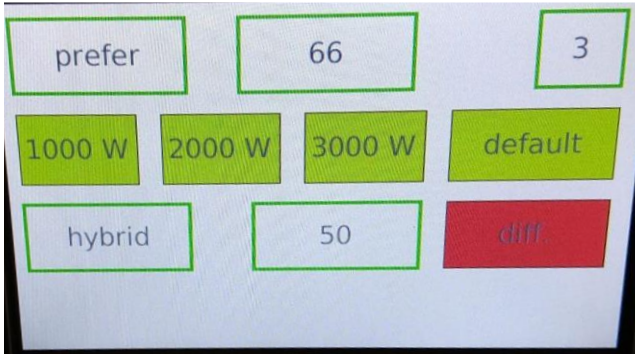
Kabola Heating Systems B.V.

Placotiweg 1E • 4131 NL Vianen (Utr.) Holland
T +31 (0)347 320 030 • info@kabola.nl

IBAN: NL08 ABNA 0410 6900 74 • BIC: ABNANL2A
IBAN: NL78 INGB 0000 3212 38 • BIC: INGBNL2A

Connection to Hybrid:

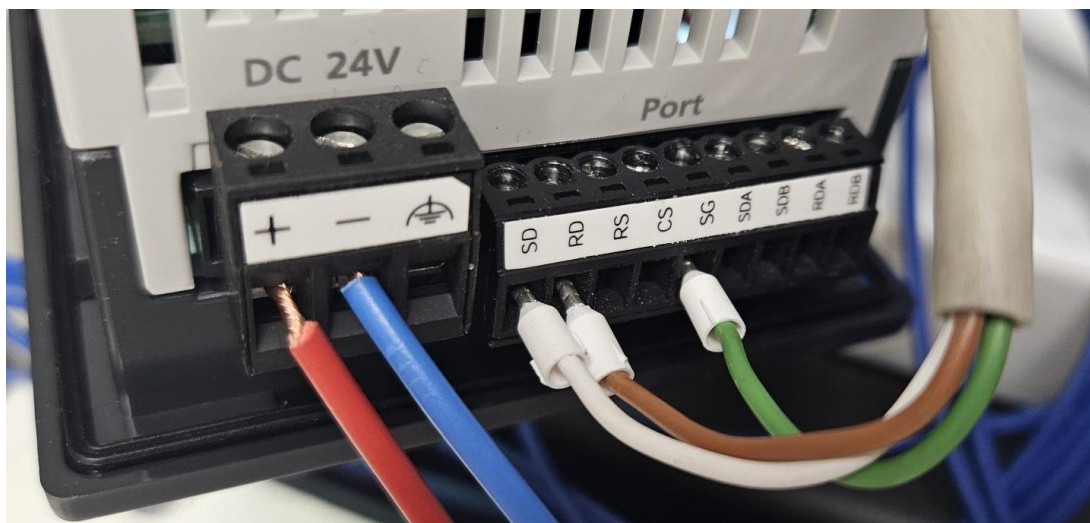
It is important that you have the correct version of software in your system.
You can check this by pressing "settings" on the screen on the stove.
You should then see:



You need to have the 3 green buttons 1000W, 2000W, 3000W.

The **Idec** screen must be connected to the 9-pin plug on the side of the screen. See photo below.

- White on: SD
- Brown on: RD
- Green on: SG
- (sometimes brown and white need to be reversed)





Kabola Heating Systems B.V.

Placotiweg 1E • 4131 NL Vianen (Utr.) Holland
 T +31 (0)347 320 030 • info@kabola.nl

IBAN: NL08 ABNA 0410 6900 74 • BIC: ABNANL2A
 IBAN: NL78 INGB 0000 3212 38 • BIC: INGBNL2A

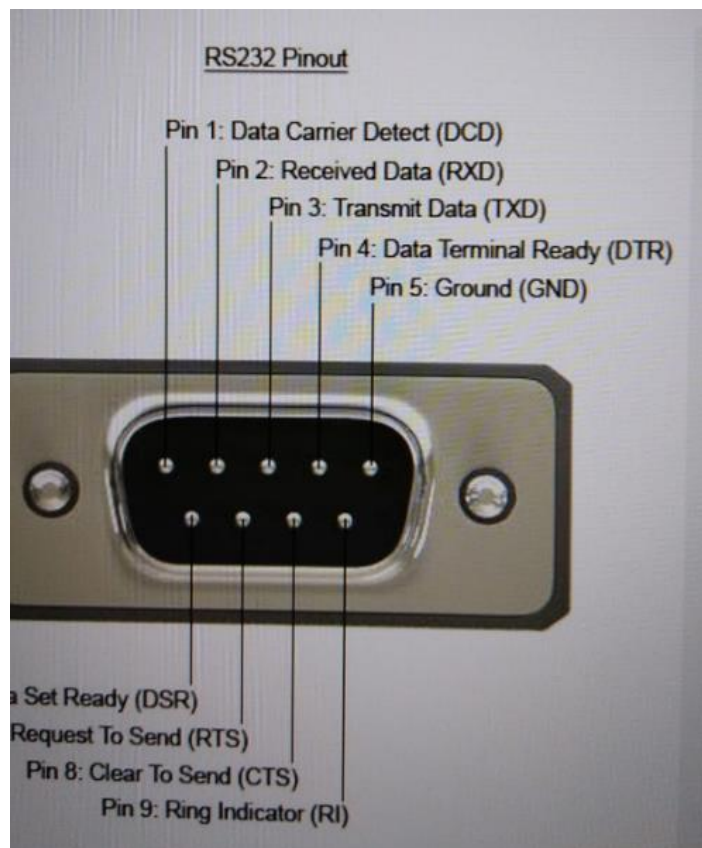
The **automotive** panel must be connected to the PLC wires:

Wire PLC side	Signal	15mtr cable
4	TXD	Brown
16	RXD	White
33	GND	Green

They are plugged in
 Connected as
 nearby:

The serial bus communication pins are located in the connector as follows:

Pin	Signal
X1.4	TXD, transmit data
X1.16	RXD, receive data
X1.30 or X1.33	GND (DATA GROUND)





Kabola Heating Systems B.V.

Placotiweg 1E • 4131 NL Vianen (Utr.) Holland
T +31 (0)347 320 030 • info@kabola.nl

IBAN: NL08 ABNA 0410 6900 74 • BIC: ABNANL2A
IBAN: NL78 INGB 0000 3212 38 • BIC: INGBNL2A

Technical Specifications

90-003 Thermostat display

Input voltage	12 - 30VDC
Consumption	< 1W
Radio/Wifi	2.4GHz; <100mW

90-004 Motor controller

Input voltage	12 - 30VDC
Standby consumption	< 1W
Maximum output	10A

