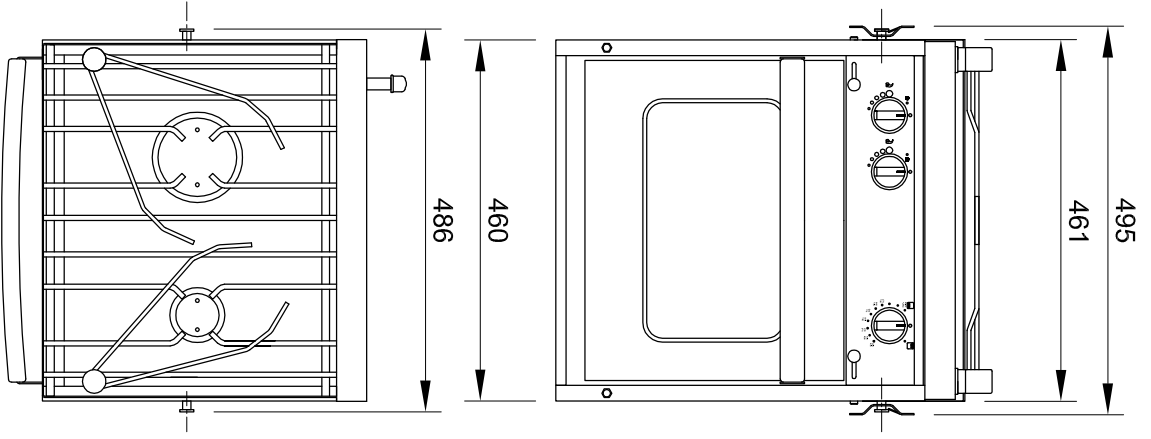


"XMM"



RevNo	Revision	note	Date	Signature	Checked
Owner Thermoprodukter AB Kalmar					
Designd by	Quantity	Item	Qty/Item, description, material, dimension etc.	Approved by - date	Part no./Reference
Checked by				Forma	Date
				070125/LLG	Scale
Owner Thermoprodukter AB Kalmar			Tills/Version Force 10 - 63269	Drawing number G1066	Edition 486 mm