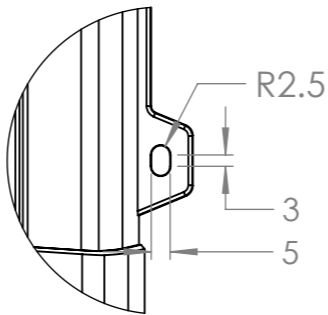
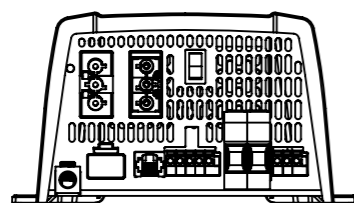
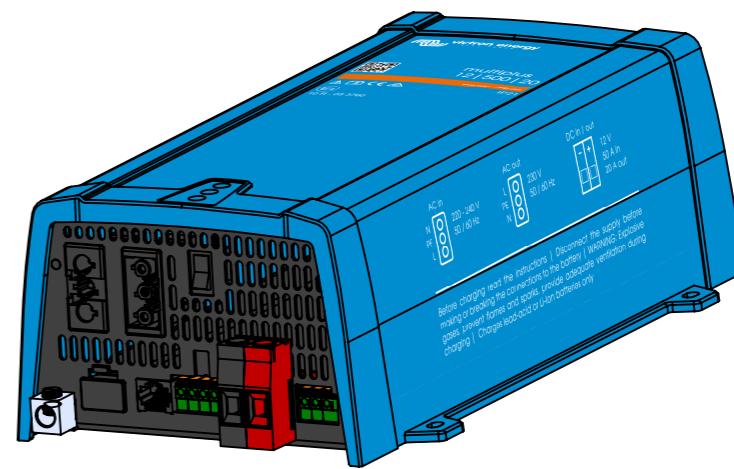
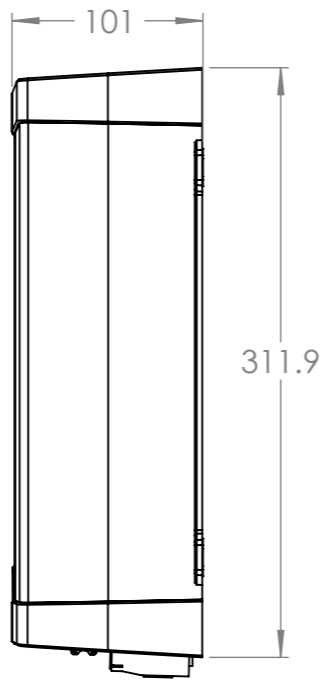
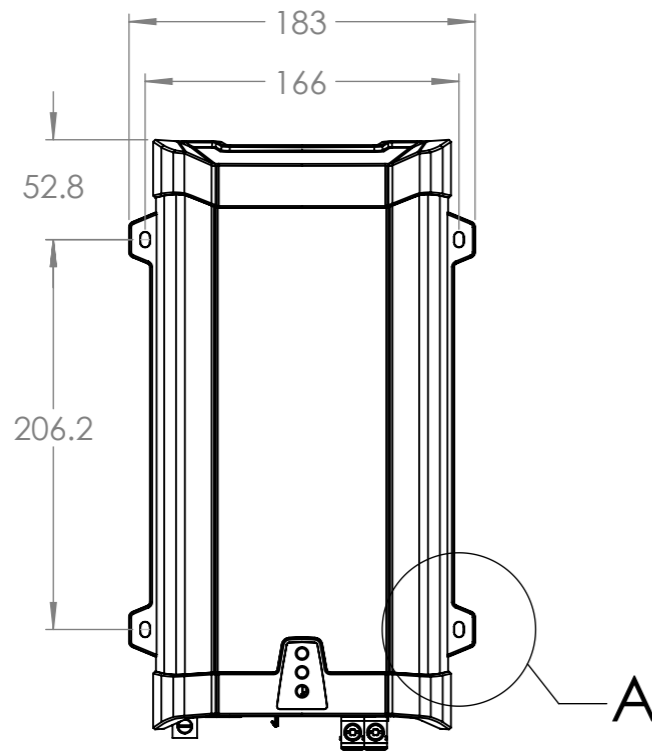


Dimension Drawing - MultiPlus	
PMP121500100	MultiPlus 12/500/20-16 120V VE.Bus
PMP121500000	MultiPlus 12/500/20-16 230V VE.Bus
PMP241500000	MultiPlus 24/500/10-16 230V VE.Bus
PMP481500000	MultiPlus 48/500/6-16 230V VE.Bus



Dimensions in mm