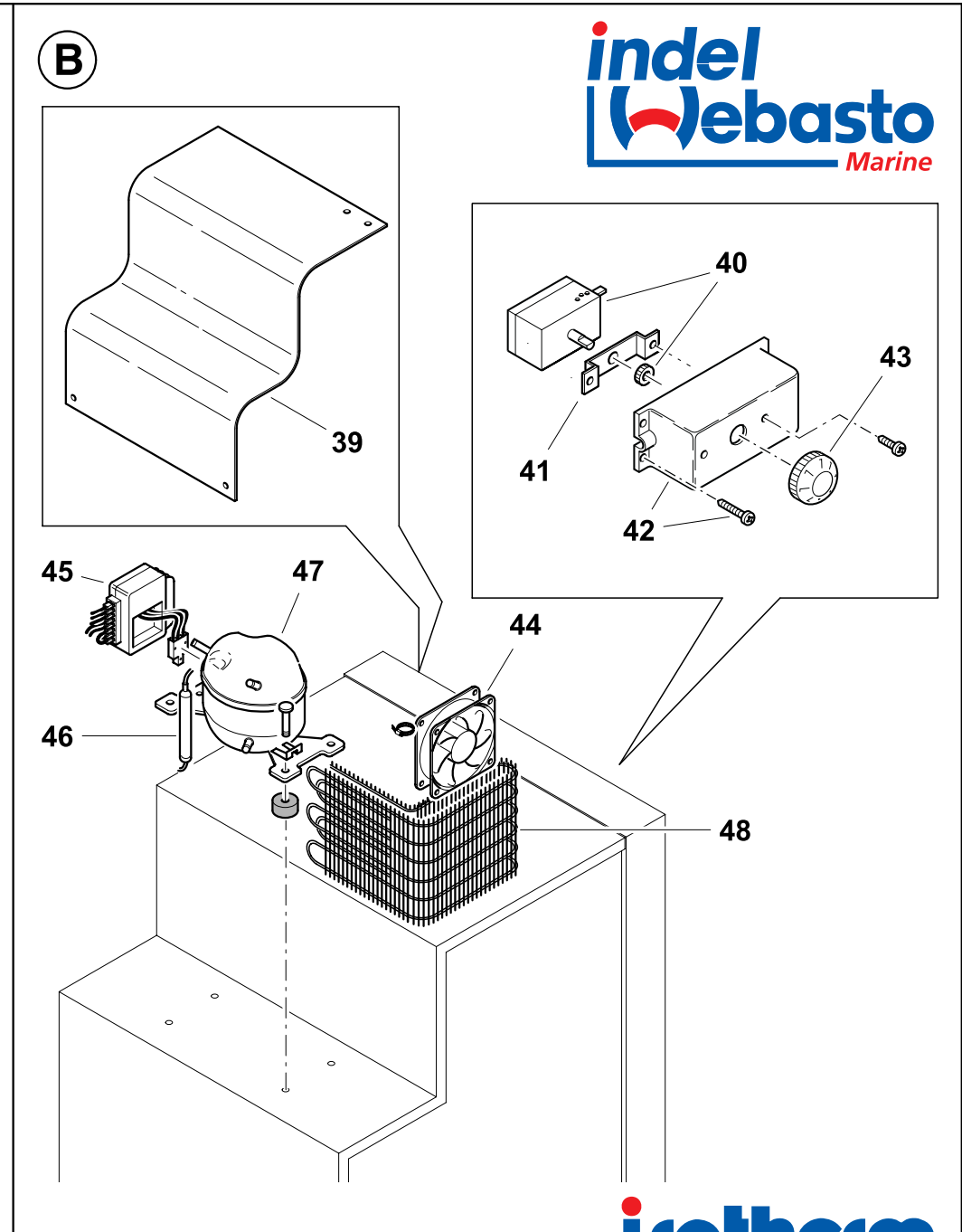
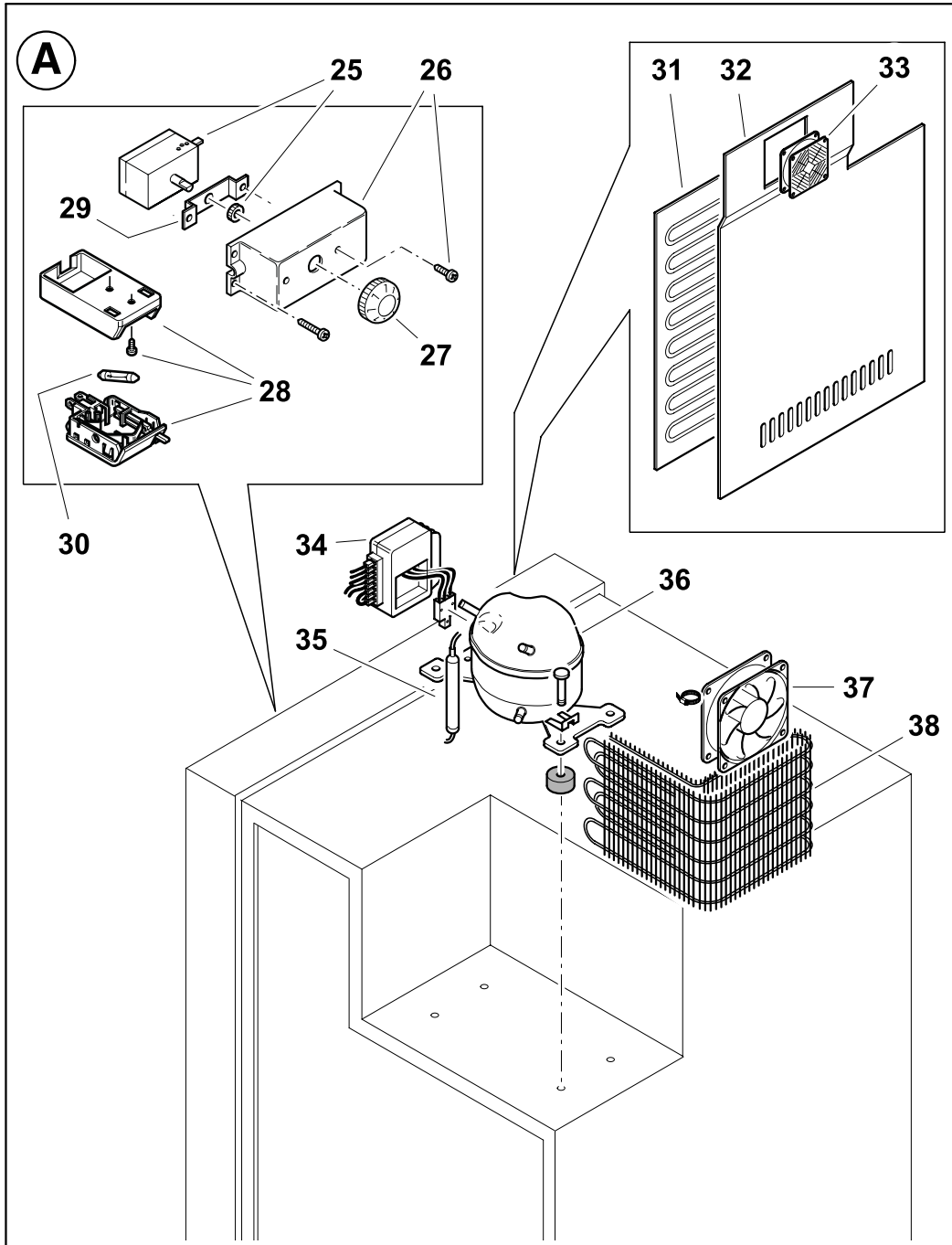


CR 195 - CABINET



CR 195 - COOLING UNIT

NUMERO NUMBER	CODICE ARTICOLO ITEM CODE	DESCRIZIONE ARTICOLO ITEM DESCRIPTION
1		
2	SAA00048AA	GHIACCIAIA CR65 FREEZER CABINET CR65 FREEZER
3	SGB00058AA	FLANGIA 3-LATI CR195 NERA FRAME 3 SIDE CR195 BLACK
4		
5	SGC00022AA	CUBETTIERA ICE CUBE
6	SDF00010AA	PIEDINI CRUISE RUBBER FOOT CRUISE/TB26
7	SGB00036AA	SOSTEGNO INOX CONTROPORTA CR42/50/65/80/120L INOX SUPPORT FOR CRUISE DOOR CR42/50/65/80/120L
8	SBE00068AA	CERNIERA INOX CR65/90/130/195/200 E TUTTI CR VER. INOX HINGE INOX FOR CR65/90/130/195/200 AND ALL VER. INOX TYPE REF. F188
9		
10	SGC00038AA	GRIGLIA INTERNA CR130/CR195 INTERNAL SHELF FOR CR130/CR195
11	SGC00125AA	FILONCINO PER BALCONCINO PORTA METAL RETAINER CR130
12	SGC00047AB	RIPIANO IN VETRO GLASS SHELF CR130 SET 2pz
13	SGC00068AA	CASSETTO PORTAVERDURE CR130 VEGETABLE BIN CR130
14	SGC00039AA	PORTA CR130 COMPLETE DOOR FOR CR130
15	SGA00059AA	PANNELLO PORTA CR130 STANDARD DOOR PANEL CR130 MASONITE GREY 504x716X2.2mm
16		
17	SBE00146AA	CERNIERA CENTRALE PER CR195 DX MIDDLE HINGE FOR CR195 RH
17	SBE00147AA	CERNIERA CENTRALE PER CR195 SX MIDDLE HINGE FOR CR195 LH
18	SGC00009AA	GRIGLIA INTERNA CR65/CR65 FREEZER INTERNAL SHELF CR65/CR65 FREEZER
19	SGC00155AA	CASSETTO CR65 FREEZER DRAWER BIN CR65 FREEZER
20		
21	SGC00165AA	PORTA COMPLETA CR65 FREEZER COMPLETE DOOR FOR CR65 FREEZER
22 - 23	SGC00063AA	PROFILO FISS. PANNELLO CR120/130 PROFILE FOR FIXING PANEL CR120/130
24	SGD00008AA	KIT MANIGLIA CRUISE F005 DOOR KIT HANDLE CRUISE
25		
26	SEA00012AA	SCATOLA PVC BIANCA TERMOSTATO FREEZER WHITE THERMOSTATE HOUSE FOR FREEZER THERMOSTAT
27		
28	SEC00003DA	PLAFONIERA LUCE INTERNA COMPLETA INTERNAL LIGHT KIT 12-24V
29	SEA00021AA	STAFFA FISSAGGIO TERMOSTATO THERMOSTAT PROBE ALUMINIUM FIXING BRACKET
30	SEC00007BA	LAMPADINA LUCE INTERNA 12V LIGHT BULB 12V-3W
30	SEC00005CA	LAMPADINA LUCE INTERNA 24V LIGHT BULB 24V-3W
31	SBF00097AA	EVAPORATORE PIANO CR130 DRINK FLAT EVAPORATOR CR130 DRINK
32		
33	SBG00016BA	VENTOLA 12V 92x92 CR130 DRINK INNER FAN 12V CR130 DRINK
34	SEG00002DA	CENTRALINA DANFOSS BD35/50F 12/24V ELECTRICAL UNIT DANF. 101N0210 BD35/50F 12/24V
34	SEG00030GA	CENTRALINA DANFOSS BD35/50F AC/DC 12/24V DC 110/220V AC ELECT. UNIT DANFOSS BD35F/50FAC/DC 12/24V-115/230V
35	SBD00073AA	FILTRO 10g PER CR FILTER 10Gr FOR R134a B041 TUBE 6+2mm (CRUISE/DANFOSS)
36	SBA00002DA	COMPRESSORE DANFOSS BD35F DANFOSS COMPRESSOR BD35F 12/24V NO ELECTRICAL UNIT
37	SBG00005BA	VENTOLA CABLATTA 12V LOW SPEED FAN 12V LOW SPEED FOR COMPACT AND CRUISE
38	SBD00028AA	CONDENSATORE A FILO AIR CONDENSER PIN TYPE WITH BRACKET
39		
40		
41	SEA00021AA	STAFFA FISSAGGIO TERMOSTATO THERMOSTAT PROBE ALUMINIUM FIXING BRACKET
42	SEA00012AA	SCATOLA PVC BIANCA TERMOSTATO FREEZER WHITE THERMOSTATE HOUSE FOR FREEZER THERMOSTAT
43		
44	SBG00005BA	VENTOLA CABLATTA 12V LOW SPEED FAN 12V LOW SPEED FOR COMPACT AND CRUISE
45	SEG00002DA	CENTRALINA DANFOSS BD35/50F 12/24V ELECTRICAL UNIT DANF. 101N0210 BD35/50F 12/24V
45	SEG00030GA	CENTRALINA DANFOSS BD35/50F AC/DC 12/24V DC 110/220V AC ELECT. UNIT DANFOSS BD35F/50FAC/DC 12/24V-115/230V
46	SBD00073AA	FILTRO 10g PER CR FILTER 10Gr FOR R134a B041 TUBE 6+2mm (CRUISE/DANFOSS)
47	SBA00002DA	COMPRESSORE DANFOSS BD35F DANFOSS COMPRESSOR BD35F 12/24V NO ELECTRICAL UNIT
48	SBD00028AA	CONDENSATORE A FILO AIR CONDENSER PIN TYPE WITH BRACKET