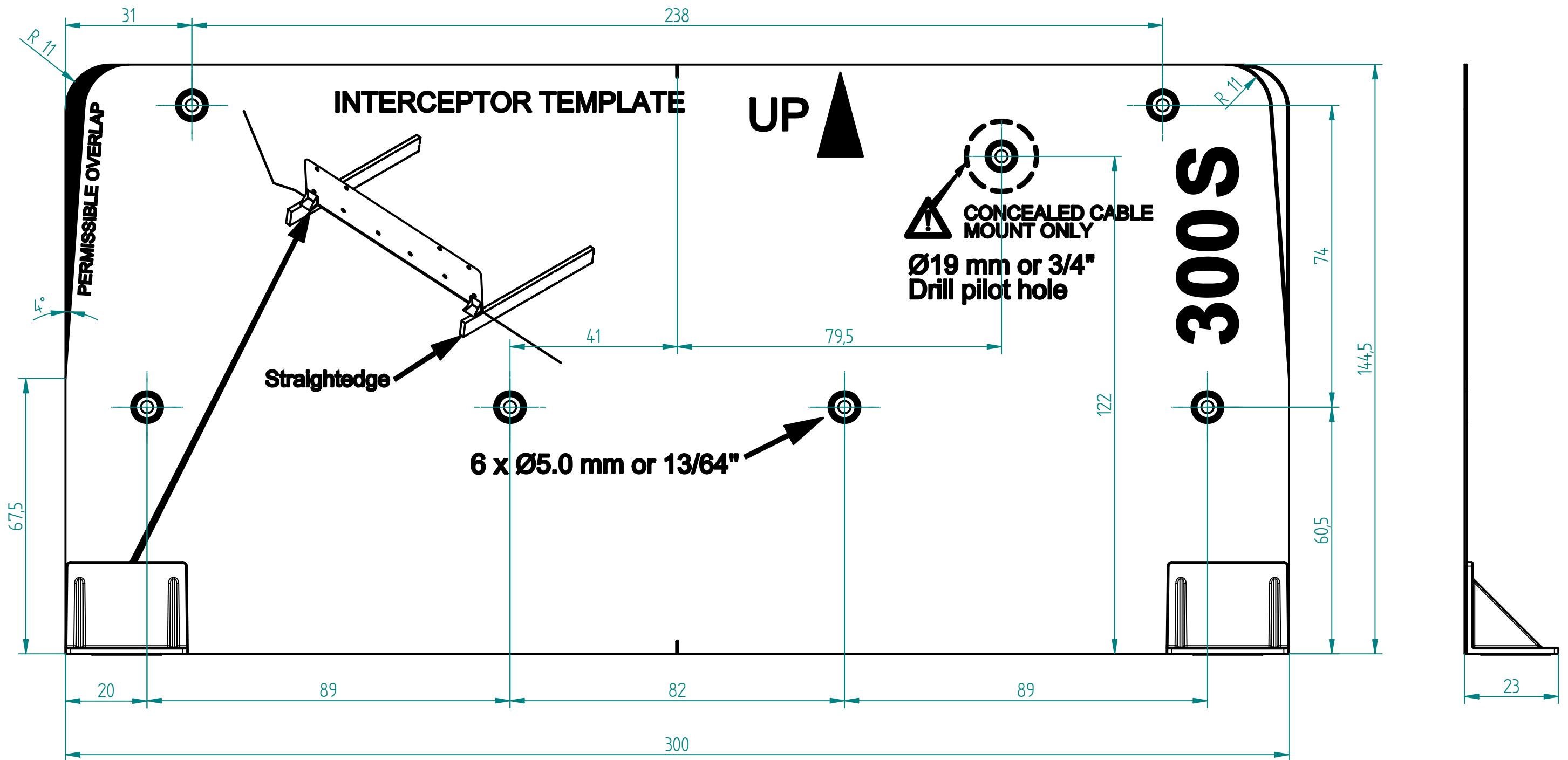


REV	DESCRIPTION	DATE	APPROVED
R2A	DRILL $\phi 13/64$ WAS 3/16	230603	NO



www.zipwake.com	ALL DIMENSIONS IN: mm DIMENSIONS WITHIN BRACKETS: [Inches]		DO NOT SCALE DRAWING		ZIPWAKE
	COPYRIGHT 2015. ALL RIGHTS RESERVED BY ZIPWAKE AB. THE INFORMATION CONTAINED IN THIS DRAWING SHALL NOT BE REPRODUCED IN PART OR AS A WHOLE WITHOUT THE PRIOR WRITTEN PERMISSION OF ZIPWAKE AB.				
			TITLE: IT300-S INTERMEDIATE DRILL TEMPLATE		
	DRAWN	NAME JD	DATE 171028	SIZE A3	DWG. NO. 3015071
CHECKED					
APPROVED					
UNLESS OTHERWISE SPECIFIED GENERAL TOLERANCES ACCORDING TO ISO 2768-1-m			SCALE: 1:1	WEIGHT:	SHEET 1 OF 1